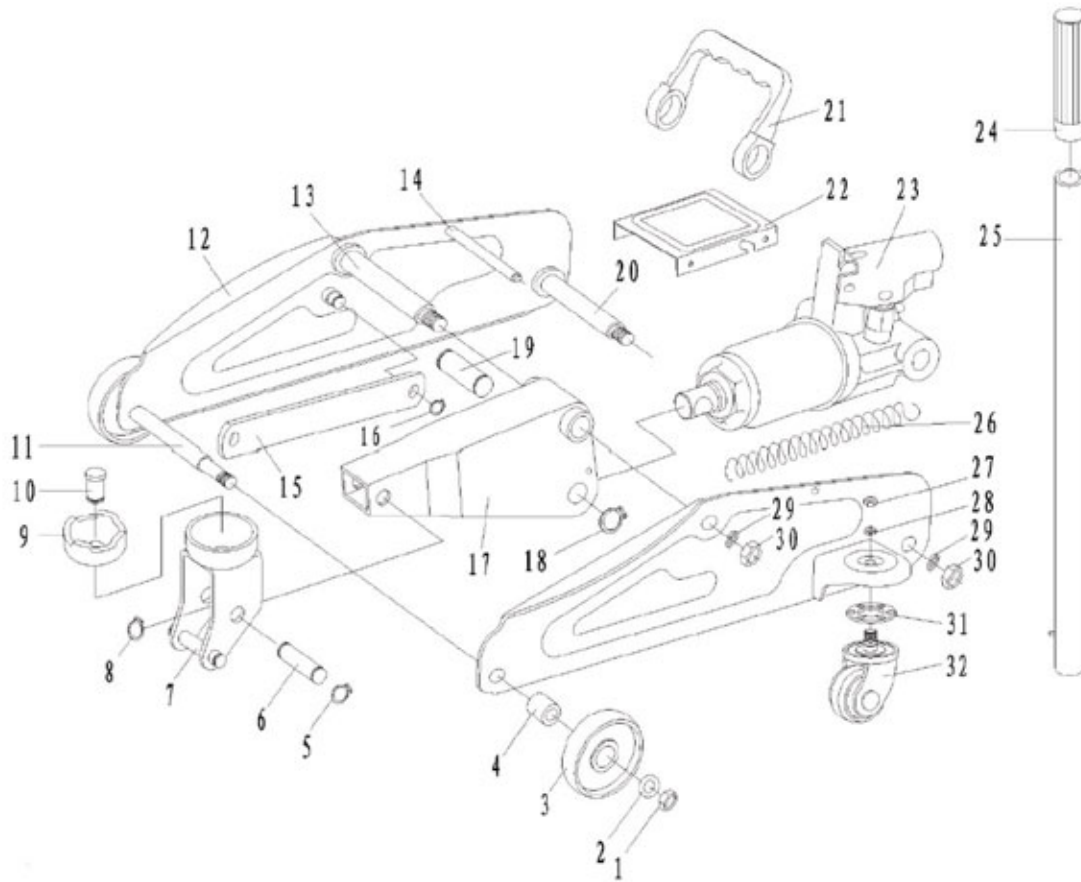




Parts Information:
**Trolley Jack 2tonne Short Chassis with
 Axle Stands (Pair) 1tonne Capacity per
 Stand & Storage Case**
Model No: 1030CXDK



Item	Part No.	Description
1	SN10.S	STEEL NUT M10 ZINC DIN934(SINGLE)
2	FWM10.S	FLAT WASHER M10 SINGLE
3	1030CXDK.03	WHEEL,FRONT FIXED (65x17x16)
4	1030CXDK.04	BUSHING
5	1030CXDK.05	C-RING
6	1030CXDK.06	SPINDLE
7	1030CXDK.07	SADDLE AXIS
8	1030CXDK.08	C-RING
9	1030CXDK.09	SADDLE
10	1030CXDK.10	SADDLE PIN
11	1030CXDK.11	FRONT WHEEL AXLE
12	1030CXDK.12	LEFT FRAME
--	1030CXDK.12-1	RIGHT FRAME (NOT SHOWN)
13	1030CXDK.13	LIFTING ARM SPINDLE
14	1030CXDK.14	SIDE MEMBER SPINDLE
15	1030CXDK.15	RADIUS LINK
16	1030CXDK.16	C-RING

Item	Part No.	Description
17	1030CXDK.17	LIFTING ARM
18	1030CXDK.18	C-RING
19	1030CXDK.19	LINK PIN
20	1030CXDK.20	SPINDLE
21	1030CXDK.21	CARRY HANDLE
22	1030CXDK.22	COVER PLATE
23	1030CXDK.23	HYDRAULIC UNIT
24	1030CXDK.24	HANDLE GRIP
25	1030CXDK.25	HANDLE
26	1030CXDK.26	SPRING
27	SN8.S	STEEL NUT M8 ZINC DIN934 (SINGLE)
28	1030CXDK.28	SPRING WASHER
29	SWM12.S	SPRING WASHER M12 ZINC (SINGLE)
30	SN12.S	STEEL NUT M12 ZINC DIN934(SINGLE)
31	1030CXDK.31	PLASTIC BEARING RACE
32	1050CX.V3-24	WHEEL,BLACK CASTOR (40x9x17x51)

NOTE: It is our policy to continually improve products and as such we reserve the right to alter data, specifications and component parts without prior notice.

IMPORTANT: No liability is accepted for incorrect use of product.

WARRANTY: Guarantee is 12 months from purchase date, proof of which will be required for any claim.

Sealey Group, Kempson Way, Suffolk Business Park, Bury St Edmunds, Suffolk. IP32 7AR



01284 757500



01284 703534



sales@sealey.co.uk



www.sealey.co.uk