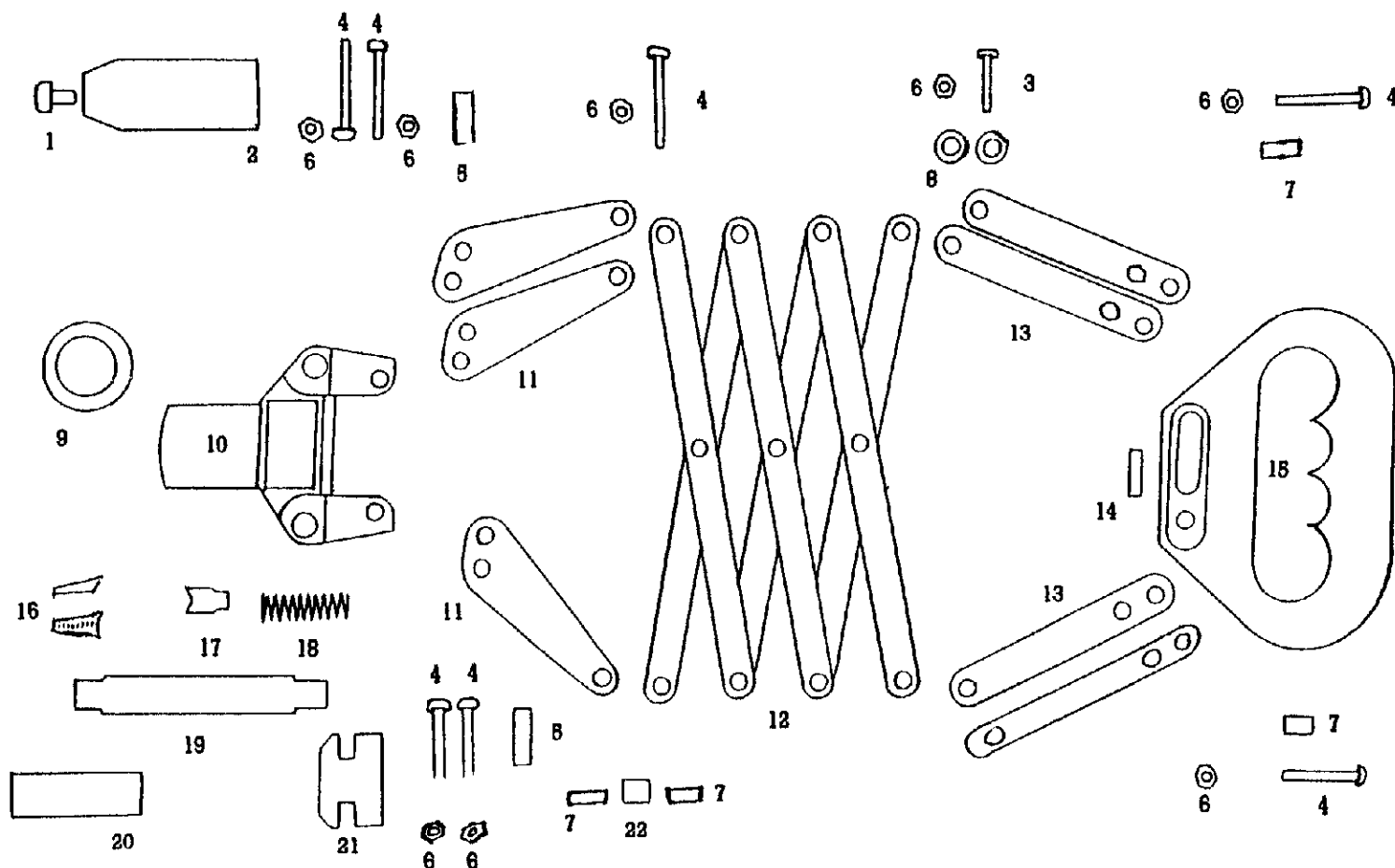


LAZY TONG RIVETER

■ STOCK No.13701. ■ PART No.270A.

PARTS LISTING AND DRAWING 12/97



KEY No.	PART No.	STOCK No.	DESCRIPTION
1	Y270A-1A	35059	2.4mm spare nozzle
1	Y270A-1B	21907	3.2mm spare nozzle
1	Y270A-1C	21908	4.0mm spare nozzle
1	Y270A-1D	21909	4.8mm spare nozzle
2	Y270A-2	35070	Nozzle housing
3	Y270A-3	52322	Connection bolt
4	Y270A-4	35060	Connection bolt
5	Y270A-5	35061	Axe
6	Y270A-6	52323	Nut
7	Y270A-7	35062	Washer
8	Y270A-8	52324	Washer
9	Y270A-9	35063	Adjustment ring
10	Y270A-10	35064	Coupling

KEY No.	PART No.	STOCK No.	DESCRIPTION
11	Y270A-11	35065	Front arm
12	Y270A-12	52325	Central arm
13	Y270A-13	52326	Back arm
14	Y270A-14	52327	Coupling
15	Y270A-15	52328	Handle
16	Y270A-16	21910	Jaws
17	Y270A-17	29848	Jaws pusher
18	Y270A-18	29849	Pusher spring
19	Y270A-19	35066	Rotating shaft
20	Y270A-20	21911	Jaws case
21	Y270A-21	35067	Coupling
22	Y270A-22	35068	Spacer

POWER DIVISION HELP LINE: 01703 494344