



SPARE PARTS LISTING SHEET FOR

175,000BTU (51kW) Diesel Space Heater

Stock No.32284

Part No.DSH1750

| KEY No. | PART No. | STOCK No. | DESCRIPTION |
|---------|-----------------|-----------|-------------------------|
| 1 | YTK8-005-001 | 33846 | Fuel tank |
| 3 | YTK8-003-003 | 33720 | Fuel gauge |
| 3-1 | YTK8-003-003-1 | 33742 | Fuel gauge packing |
| 4 | YTK8-003-004 | 33747 | Fuel filter |
| 4-1 | YTK8-000-004-1 | 33376 | Fuel filter packing |
| 5 | YTK8-000-005 | 33377 | Fuel cap |
| 5-1 | YTK8-000-005-1 | 33378 | Fuel cap packing |
| 6 | YTK8-002-006 | 33379 | Power cord |
| 7 | YTK8-000-007 | 33380 | Power switch |
| 8 | YTK8-000-008 | 33663 | Window display |
| 9 | YTK8-000-009 | 33664 | Thermostat control knob |
| 10 | YTK8-005-010-1 | 33848 | Bottom cover |
| 11 | YTK8-005-11 | 33849 | Air line |
| 12 | YTK8-002-012 | 33383 | Thermostat control |
| 12-1 | YTK8-002-012-1 | 33384 | Thermostat bracket |
| 13 | YTK8-005-013 | 33854 | Combusting chamber |
| 14 | YTK8-000-014 | 33386 | Photocell bracket |
| 15 | YTK8-003-015 | 33758 | Fuel line |
| 16 | YTK8-000-016 | 33388 | Photocell |
| 17 | YTK8-005-017 | 33851 | Burner head |
| 18 | YTK8-005-018 | 33852 | Nozzle |
| 19 | YTK8-000-019 | 33391 | Nozzle washer |
| 20 | YTK8-000-020 | 33392 | Nozzle spring |
| 21 | YTK8-000-021 | 33393 | Nozzle sleeve |
| 22 | YTK8-002-022 | 33394 | Burner |
| 22-2 | YTK8-002-022-2 | 33396 | Large nipple |
| 22-3 | YTK16-003-022-3 | 20722 | Nozzle rod |
| 23 | YTK8-000-023 | 33397 | Spark plug |
| 24 | YTK8-005-024 | 33862 | Motor & pump |
| 25-2 | YTK16-003-025-2 | 20743 | Motor base square |
| 25-3 | YTK16-003-025-3 | 20738 | Motor square |
| 26 | YTK8-000-026 | 33401 | Pump body |
| 27 | YTK8-000-027 | 33402 | Rotor |
| 27-1 | YTK8-000-027-1 | 33403 | Insert |
| 28 | YTK8-000-028 | 33404 | Blade |
| 29 | YTK8-000-029 | 33405 | Pump end cover |
| 30 | YTK8-000-030 | 33406 | Intake filter |

| KEY No. | PART No. | STOCK No. | DESCRIPTION |
|---------|-----------------|-----------|-------------------------|
| 31 | YTK8-000-031 | 33407 | Lint filter |
| 32 | YTK8-000-032 | 33408 | Output filter |
| 33 | YTK8-000-033 | 33409 | Filter cover |
| 34 | YTK8-000-034 | 33410 | Adjuster |
| 35 | YTK8-000-035 | 33411 | Ball |
| 36 | YTK8-000-036 | 33412 | Spring |
| 37 | YTK8-000-037 | 33413 | Adjusting screw |
| 38 | YTK8-000-038 | 33414 | Elbow nipple |
| 39-1 | YTK16-003-039-1 | 20744 | Capacitor |
| 40 | YTK16-003-040 | 20748 | Fan |
| 41 | YTK12-000-041 | 33417 | Ignitor |
| 42 | YTK8-005-042 | 33866 | Right side cover |
| 43 | YTK8-005-043 | 33868 | Left side cover |
| 44 | YTK8-003-044 | 33786 | Fan guard |
| 45 | TK12-002-045 | 33875 | P.C.B. |
| 45-1 | YTK8-002-045-1 | 33428 | P.C.B. bracket |
| 45-2 | YTK8-002-045-2 | 33669 | Themistor |
| 46 | YTK8-000-046 | 33430 | Fuse |
| 47 | YTK8-000-047 | 33431 | Clip nut |
| 48 | YTK8-005-048-1 | 33876 | Top cover |
| 50 | YTK8-000-050 | 33433 | Grommet small |
| 50-1 | YTK8-000-050-1 | 33435 | Grommet large |
| 53 | YTK8-002-053 | 33439 | Bush |
| 56 | YTK8-005-056 | 33878 | Front handle |
| 57 | YTK8-005-057 | 33881 | Rear handle |
| 59 | YTK8-005-059 | 33883 | Wheel axle |
| 59 | YTK8-003-059 | 33820 | Wheel axle |
| 59-1 | YTK8-003-059-1 | 33822 | Washer |
| 59-2 | YTK8-003-059-2 | 33823 | Pin |
| 60 | YTK8-000-060 | 33825 | Wheel |
| 63 | YTK8-005-063 | 33884 | Adjustable pipe support |
| 64 | YTK8-000-064 | 33885 | Pipe support bracket |
| 65 | YTK8-000-065 | 33889 | Wheel support bracket |
| 66 | YTK8-000-066 | 33890 | Shaft bracket |
| | | | |
| | | | |
| | | | |

Helpline: (023) 8049 4344. Sales Desk: (023) 8049 4333. General Enquiries: (023) 8026 6355.

DRAPER TOOLS LTD, HURSLEY ROAD, CHANDLER'S FORD, EASTLEIGH, HANTS. SO53 1YF. U.K website: drapertools.com e-mail: sales@drapertools.com

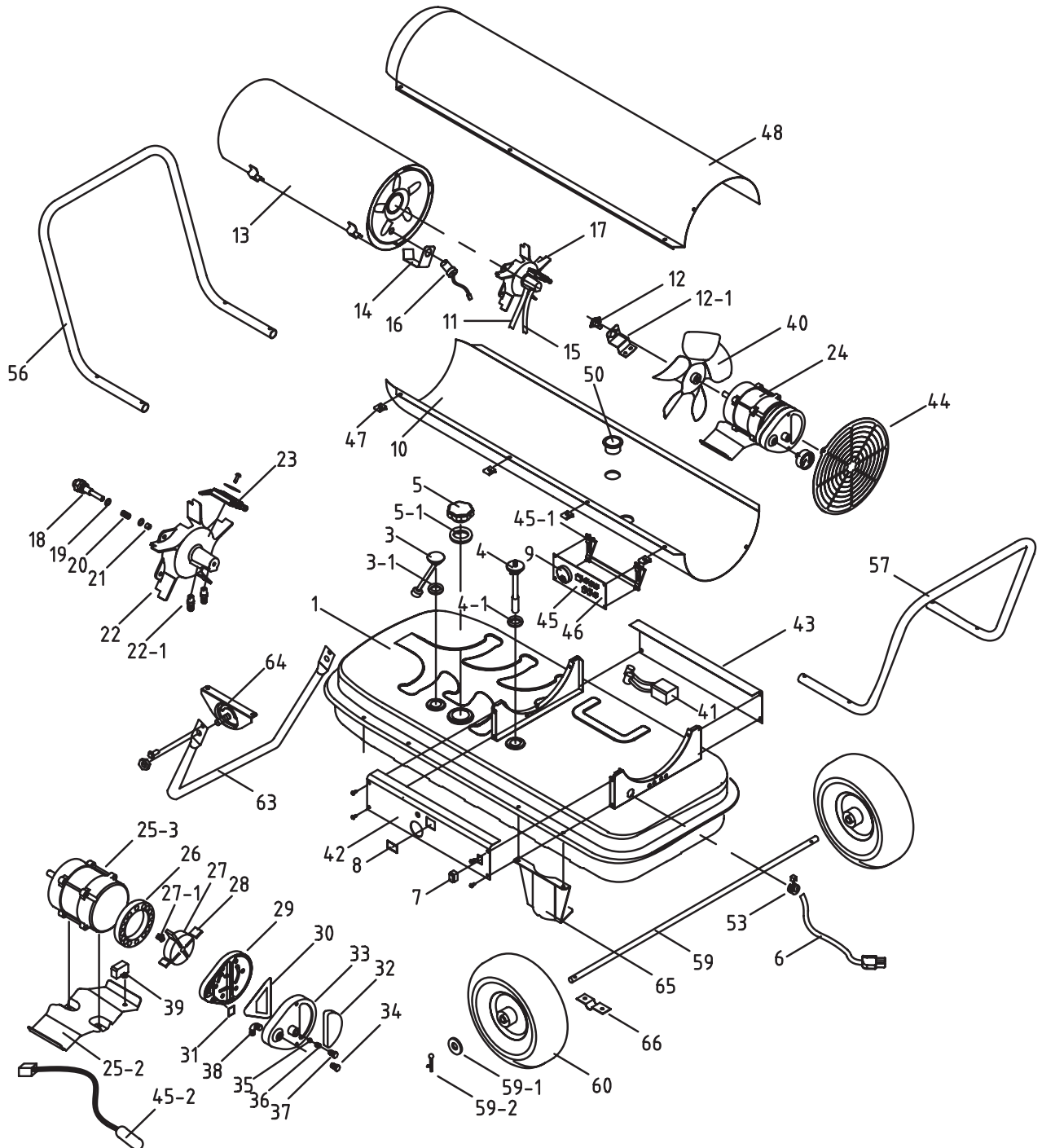


SPARE PARTS DRAWING SHEET FOR

175,000BTU (51kW) Diesel Space Heater

Stock No.32284

Part No.DSH1750



Helpline: (023) 8049 4344. Sales Desk: (023) 8049 4333. General Enquiries: (023) 8026 6355.

DRAPER TOOLS LTD, HURSLEY ROAD, CHANDLER'S FORD, EASTLEIGH, HANTS. SO53 1YF. U.K website: drapertools.com e-mail: sales@drapertools.com