



INSTRUCTIONS FOR:
ELECTRONIC VERNIER CALLIPER
 MODEL NO: **AK9622EV**

Thank you for purchasing a Sealey product. Manufactured to a high standard, this product will, if used according to these instructions and maintained properly, give you years of trouble free performance.

IMPORTANT: PLEASE READ THESE INSTRUCTIONS CAREFULLY. NOTE THE SAFE OPERATIONAL REQUIREMENTS, WARNINGS & CAUTIONS. USE THE PRODUCT CORRECTLY AND WITH CARE FOR THE PURPOSE FOR WHICH IT IS INTENDED. FAILURE TO DO SO MAY CAUSE DAMAGE AND/OR PERSONAL INJURY AND WILL INVALIDATE THE WARRANTY. KEEP THESE INSTRUCTIONS SAFE FOR FUTURE USE.



Refer to instruction manual

1. SAFETY

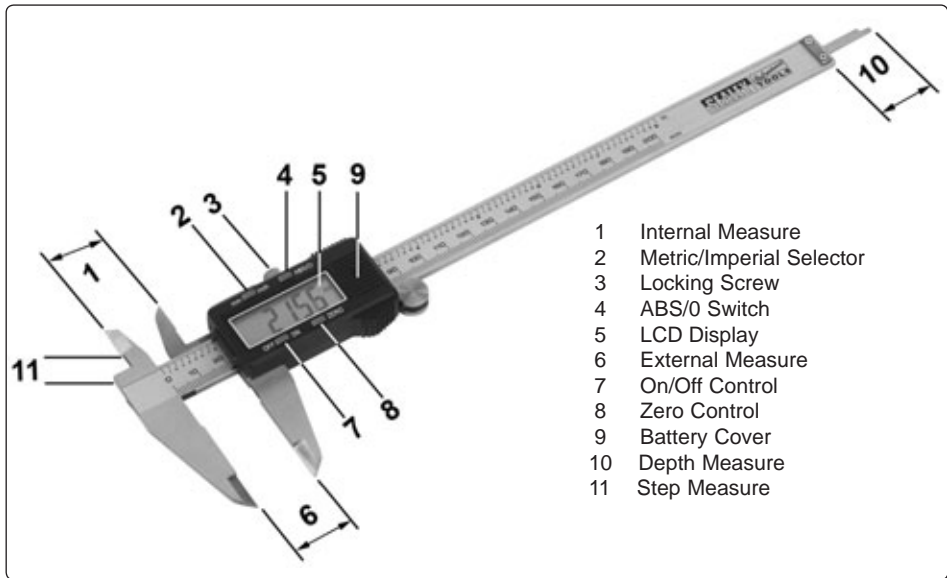
- WARNING!** Ensure Health and Safety, local authority and general workshop practice regulations are adhered to when using tools and equipment.
- DO NOT** use calliper if damaged.
- Maintain calliper in good and clean condition for best and safest performance.
- Keep the work area clean, uncluttered and ensure there is adequate lighting.
- Maintain correct balance and footing. Ensure the floor is not slippery and wear non-slip shoes.
- Keep children and unauthorised persons away from the work area.

2. INTRODUCTION

Hardened and tempered stainless steel digital caliper with satin finish. Large LCD display with 11mm high figures for ease of reading. Metric and Imperial calibration with conversion between the two. Zero setting control allows for comparative measurement. Supplied in storage case.

3. SPECIFICATION

Model No: **AK9622EV**
 Range: "0-200mm(0-8")"
 Resolution: "0.01mm(0.0005")"
 Accuracy <100mm: "±0.02mm(0.001")"
 Accuracy >100mm: "±0.03mm(0.001")"
 Battery: 1 x LR44 (supplied)



4. OPERATION

- WARNING!** Ensure that you have read and understood Section 1 safety instructions before commencing.
- DO NOT** use the calliper if damaged.
- DO NOT** use the calliper for any purpose other than for which it is designed.
- DO NOT** get calliper wet or use in damp or wet locations, or areas where there is condensation. Keep calliper clean and dry using a dry cotton cloth only.
- DO NOT** dip or submerge the calliper in any type of liquid.
- DO NOT** expose calliper to bright sunlight or dust.
- DO NOT** dis-assemble calliper. The calliper must be checked by qualified service personnel only.
- DO NOT** apply any voltage to the calliper i.e. with an electric marker pen.
- The calliper is a precision instrument, treat with care, avoid using force and do not subject to knocks or shocks.
- Take particular care not to damage or scratch the scale surface.

- ✓ Use calliper in reasonably constant temperature conditions of approximately 20°C
- ✓ When not in use, **turn off** and store calliper in a safe, dry, childproof location.

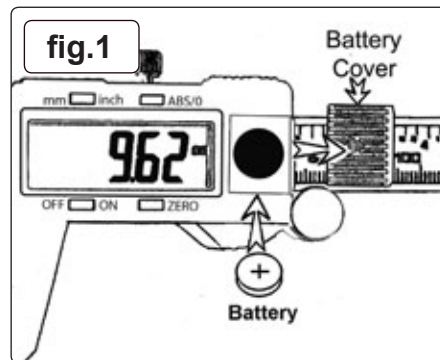
- 4.1. Ensure all measuring surfaces are clean and then turn on calliper by pressing on/off control. Wait at least one second before use.
- 4.2. Loosen locking screw and close calliper; if read-out does not show zero **when in closed position**, reset by pressing zero control.
- 4.3. Select inch or mm units, as required, with the metric/imperial selector. Check that display shows the required units.
- 4.4. Measurements will now be shown directly on the LCD display.
- 4.5. A new zero may be obtained, at any open position of the calliper, by pressing the zero control.
- 4.6. A second measurement that then also needs to be added to the first one can be obtained by pressing the ABS/0 switch after obtaining the first measurement (display will show INC), then move out the callipers to measure the second one. After noting this, press the ABS/0

5. BATTERY CHANGING

A flashing display indicates that the battery is exhausted - replace as follows:

1. Switch off and then remove battery cover (9) by firmly sliding towards the right.
2. Remove exhausted battery and fit replacement with **positive side uppermost** (fig.1). Refit battery cover.
3. Dispose of old battery in a safe and approved manner. **Do not burn.**

If the display fails to alter when the slide is moved, remove the battery - wait at least 30 seconds and then refit the battery.



ENVIRONMENT PROTECTION

Recycle unwanted materials instead of disposing of them as waste. All tools, accessories and packaging should be sorted, taken to a recycling centre and disposed of in a manner which is compatible with the environment. When the product becomes completely unserviceable and requires disposal, drain any fluids (if applicable) into approved containers and dispose of the product and fluids according to local regulations.



WEEE REGULATIONS

Dispose of this product at the end of its working life in compliance with the EU Directive on Waste Electrical and Electronic Equipment (WEEE). When the product is no longer required, it must be disposed of in an environmentally protective way. Contact your local solid waste authority for recycling information.



BATTERY REMOVAL For details see section 5

Under the Waste Batteries and Accumulators Regulations 2009, Jack Sealey Ltd are required to inform potential purchasers of products containing batteries (as defined within these regulations), that they are registered with Valpak's registered compliance scheme. Jack Sealey Ltd Batteries Producer Registration Number (BPRN) is BPRN00705.

Note: It is our policy to continually improve products and as such we reserve the right to alter data, specifications and component parts without prior notice.

Important: No Liability is accepted for incorrect use of this product.

Warranty: Guarantee is 12 months from purchase date, proof of which is required for any claim.

Sealey Group, Kempson Way, Suffolk Business Park, Bury St Edmunds, Suffolk. IP32 7AR



01284 757500



01284 703534



sales@sealey.co.uk



www.sealey.co.uk