

Originalbetriebsanleitung
Original instructions
Notice originale
Manual original
Manual original
Istruzioni originali
Oorspronkelijke
gebruiksaanwijzing
Original brugsanvisning
Bruksanvisning i original
Original driftsinstruks
Alkuperäiset ohjeet
Πρωτότυπο οδηγιών
χρήσης
Orijinal işletme talimatı

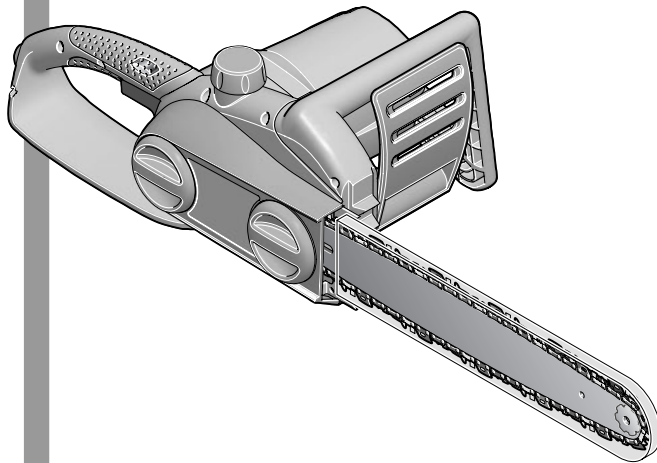


BOSCH

AKE 30 S

AKE 35 S

AKE 40 S



Deutsch
English
Français
Español
Português
Italiano
Nederlands
Dansk
Svenska
Norsk
Suomi
Ελληνικά
Türkçe

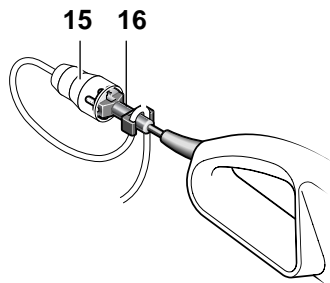
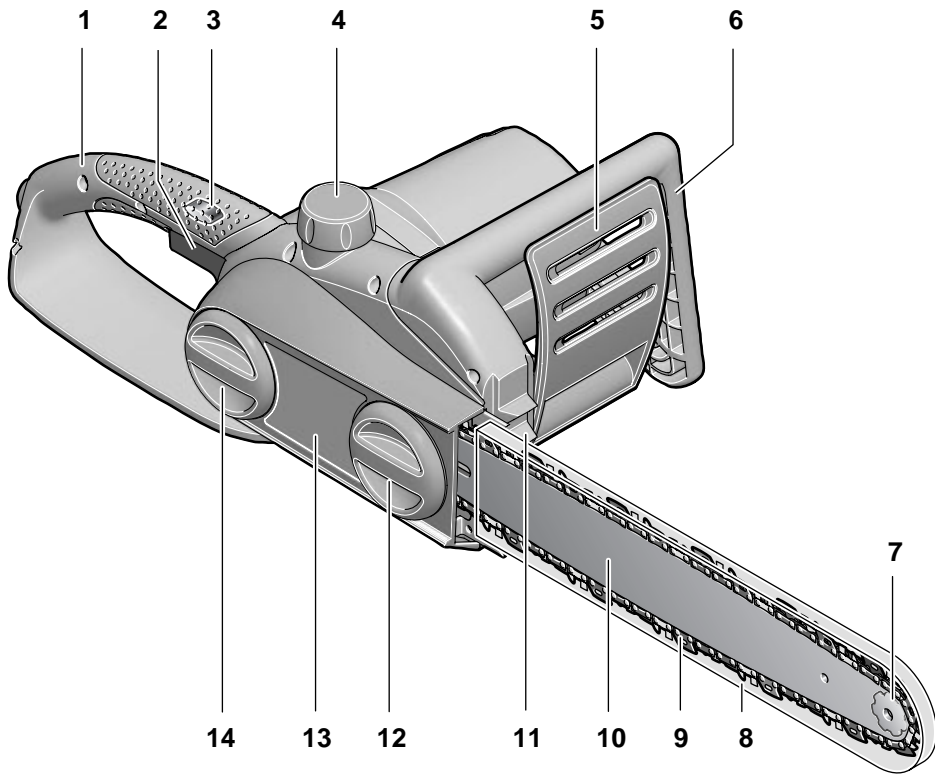


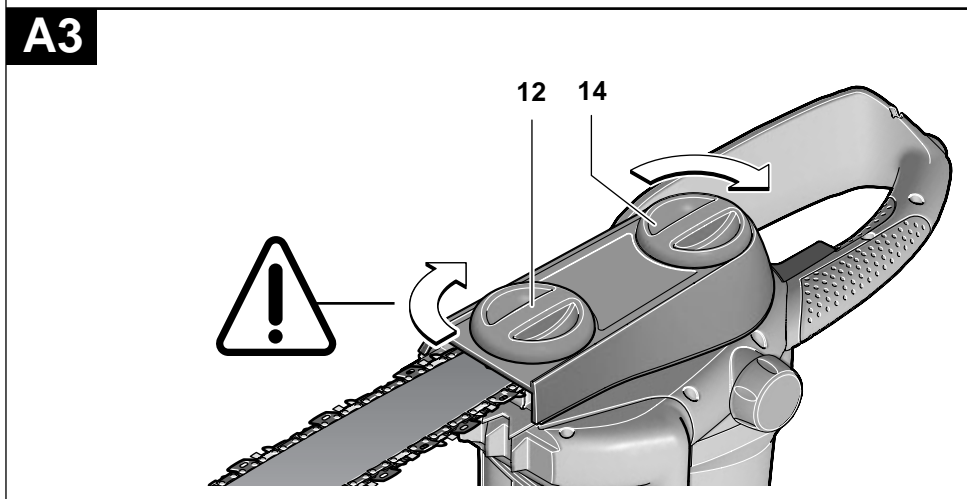
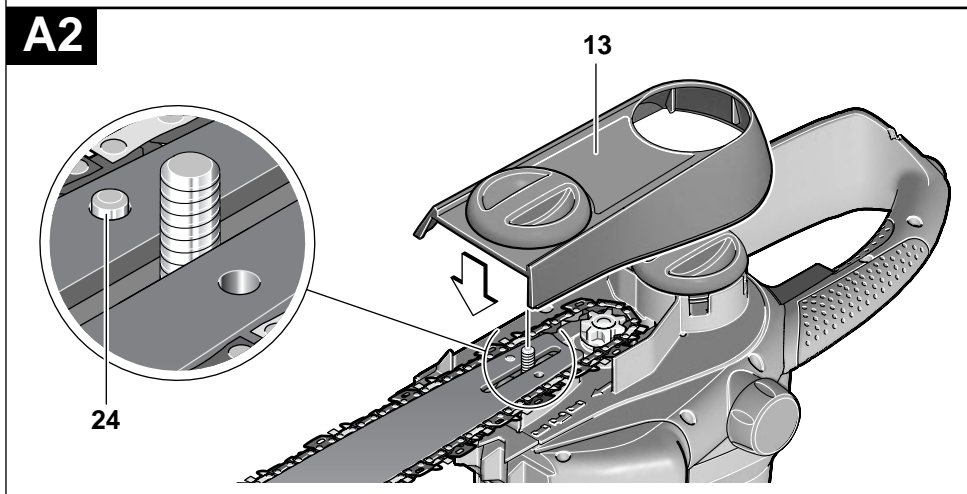
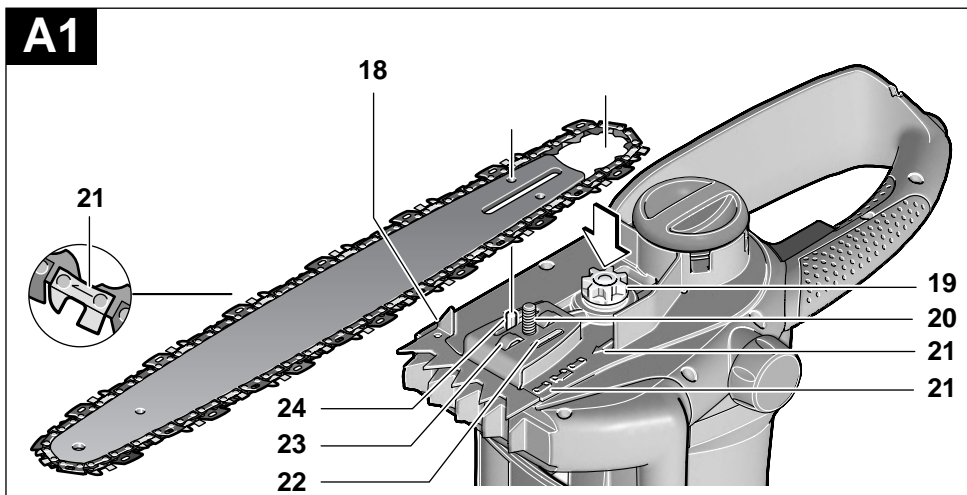


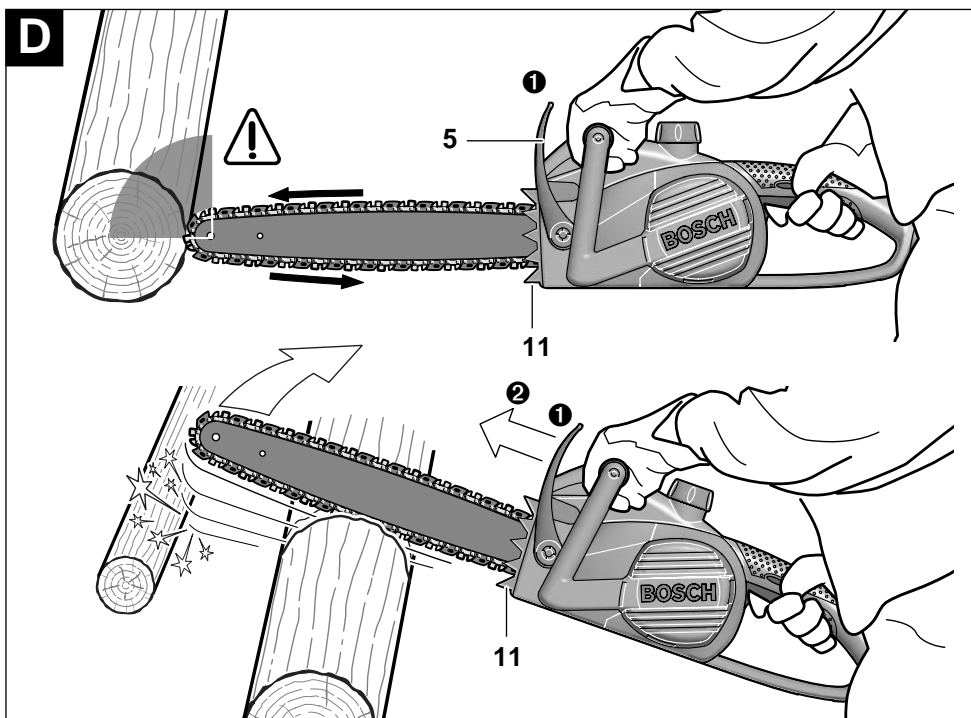
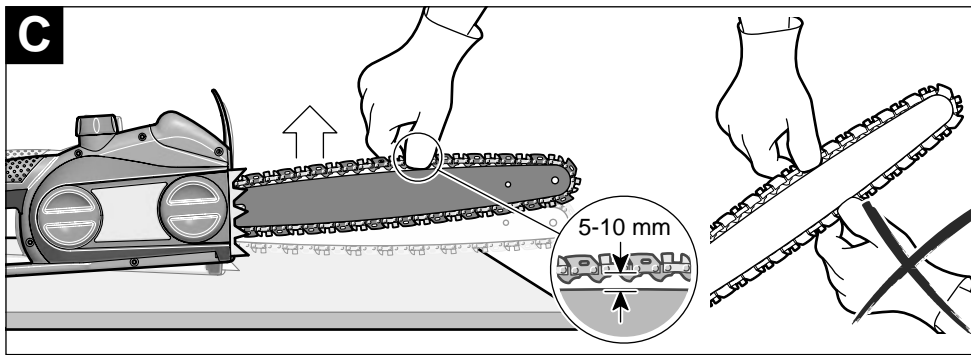
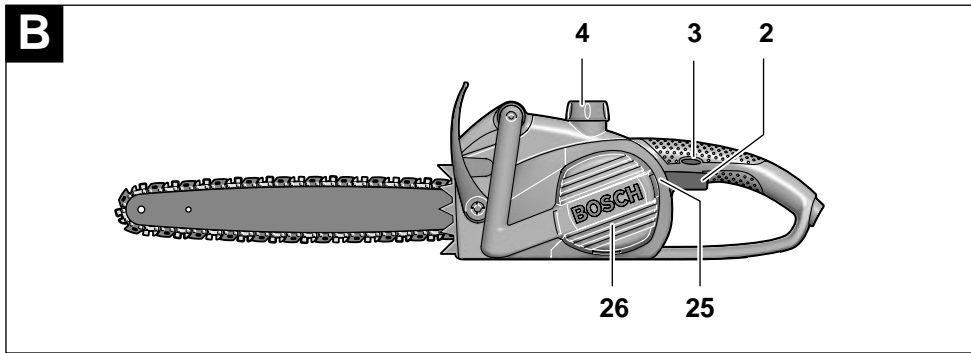
Robert Bosch GmbH D-70745 Leinfelden Echterdingen	
0 600 xxx xxx	xxx
230V ~ 50Hz x A xxx W	xxx mm xxxxxxx
	Made in Hu 20xx gary

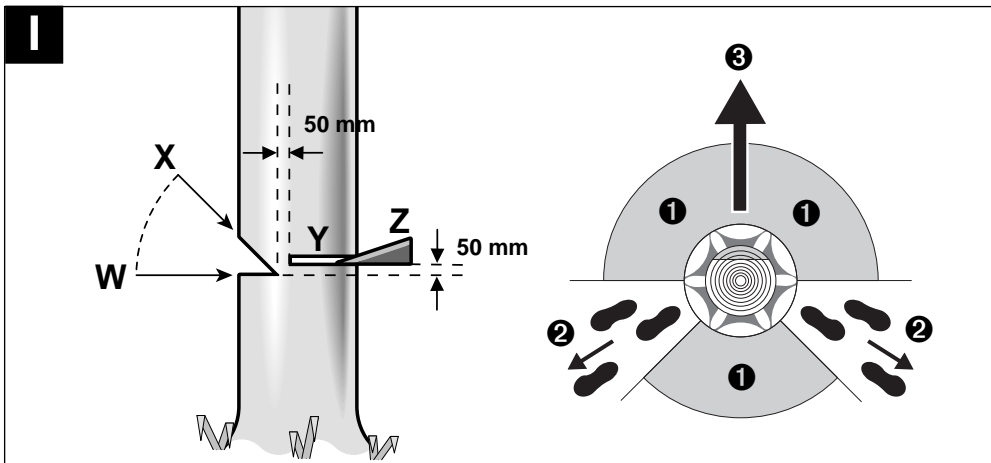
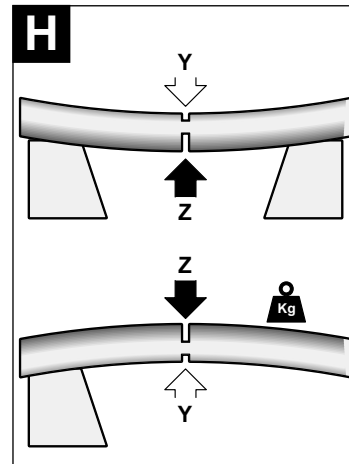
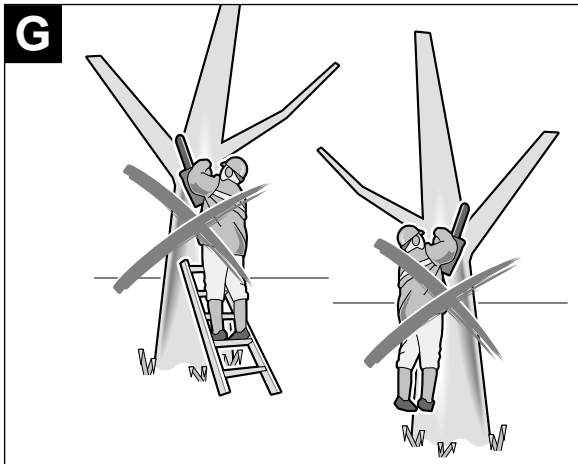
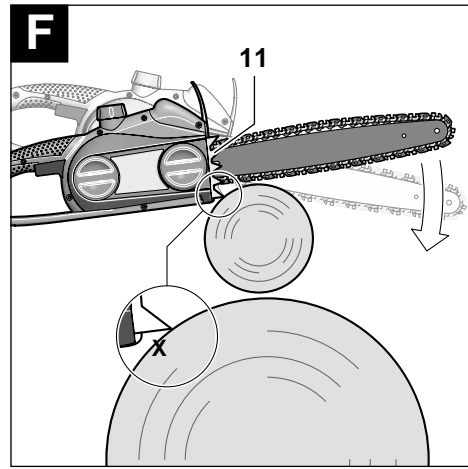
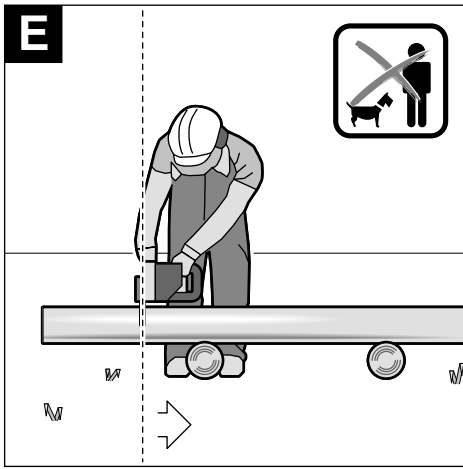


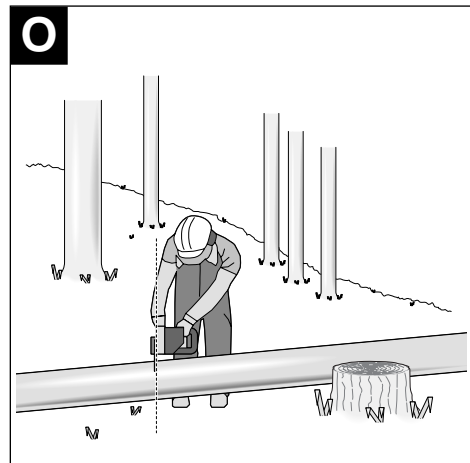
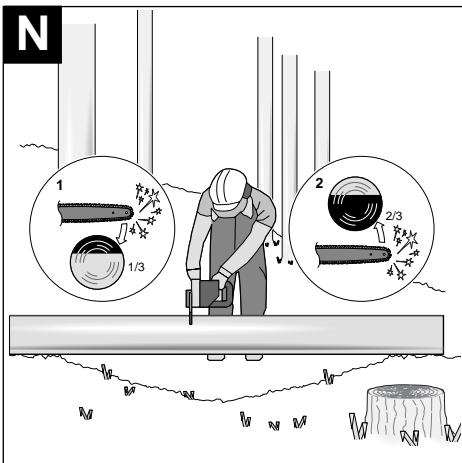
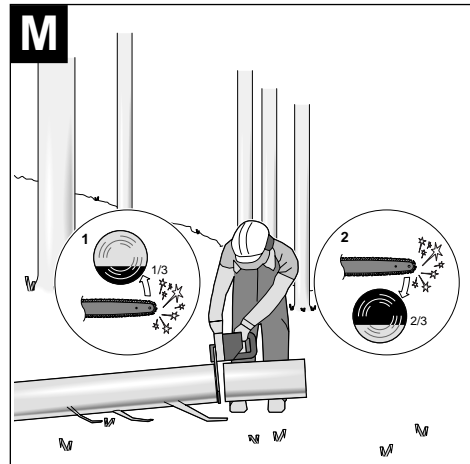
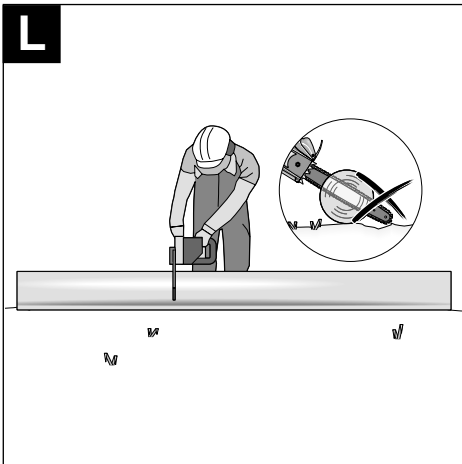
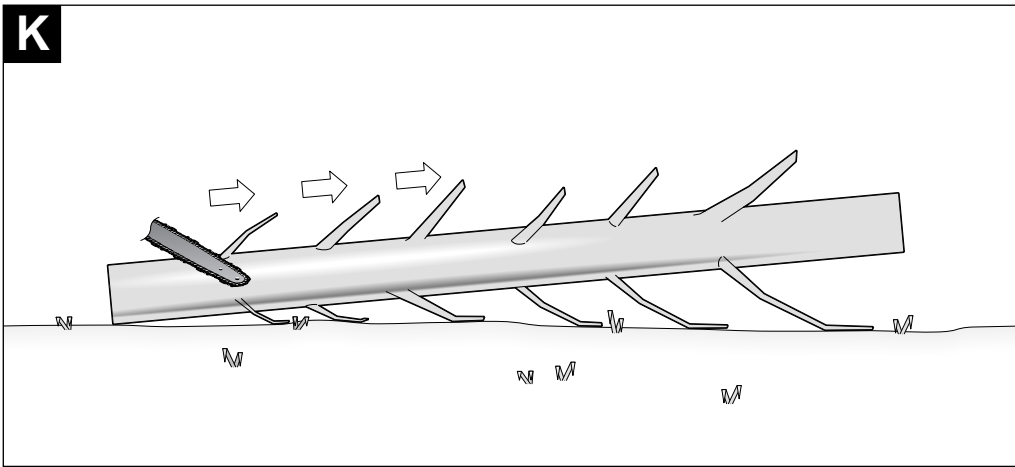
17













Safety Notes

Explanation of symbols:



Read instruction manual.



Do not expose to rain.



Remove the plug from the socket or mains immediately before carrying out any adjustments, servicing or maintenance or if the cable is damaged or cut.



Obtain and wear eye and ear protection at all times while operating the power tool.



The kick back brake and the run down brake stop the chain saw within short time.

General Power Tool Safety Warnings

WARNING Read all safety warnings and all instructions. Failure to follow the warnings and instructions may result in electric shock, fire and/or serious injury.

Save all warnings and instructions for future reference.

The term "power tool" in the warnings refers to your mains-operated (corded) power tool or battery-operated (cordless) power tool.

Work area safety

- **Keep work area clean and well lit.** Cluttered or dark areas invite accidents.
- **Do not operate power tools in explosive atmospheres, such as in the presence of flammable liquids, gases or dust.** Power tools create sparks which may ignite the dust or fumes.
- **Keep children and bystanders away while operating a power tool.** Distractions can cause you to lose control.

Electrical safety

- **Power tool plugs must match the outlet. Never modify the plug in any way. Do not use any adapter plugs with earthed (grounded) power tools.** Unmodified plugs and matching outlets will reduce risk of electric shock.
- **Avoid body contact with earthed or grounded surfaces, such as pipes, radiators, ranges and refrigerators.** There is an increased risk of electric shock if your body is earthed or grounded.
- **Do not expose power tools to rain or wet conditions.** Water entering a power tool will increase the risk of electric shock.

- **Do not abuse the cord. Never use the cord for carrying, pulling or unplugging the power tool. Keep cord away from heat, oil, sharp edges and moving parts.** Damaged or entangled cords increase the risk of electric shock.
- **When operating a power tool outdoors, use an extension cord suitable for outdoor use.** Use of a cord suitable for outdoor use reduces the risk of electric shock.
- **If operating a power tool in a damp location is unavoidable, use a residual current device (RCD) protected supply.** Use of an RCD reduces the risk of electric shock.

Personal safety

- **Stay alert, watch what you are doing and use common sense when operating a power tool. Do not use a power tool while you are tired or under the influence of drugs, alcohol or medication.** A moment of inattention while operating power tools may result in serious personal injury.
 - **Use personal protective equipment. Always wear eye protection.** Protective equipment such as dust mask, non-skid safety shoes, hard hat, or hearing protection used for appropriate conditions will reduce personal injuries.
 - **Prevent unintentional starting. Ensure the switch is in the off-position before connecting to power source and/or battery pack, picking up or carrying the tool.** Carrying power tools with your finger on the switch or energising power tools that have the switch on invites accidents.
 - **Remove any adjusting key or wrench before turning the power tool on.** A wrench or a key left attached to a rotating part of the power tool may result in personal injury.
 - **Do not overreach. Keep proper footing and balance at all times.** This enables better control of the power tool in unexpected situations.
 - **Dress properly. Do not wear loose clothing or jewellery. Keep your hair, clothing and gloves away from moving parts.** Loose clothes, jewellery or long hair can be caught in moving parts.
 - **If devices are provided for the connection of dust extraction and collection facilities, ensure these are connected and properly used.** Use of dust collection can reduce dust-related hazards.
- Power tool use and care**
- **Do not force the power tool. Use the correct power tool for your application.** The correct power tool will do the job better and safer at the rate for which it was designed.

- **Do not use the power tool if the switch does not turn it on and off.** Any power tool that cannot be controlled with the switch is dangerous and must be repaired.
- **Disconnect the plug from the power source and/or the battery pack from the power tool before making any adjustments, changing accessories, or storing power tools.** Such preventive safety measures reduce the risk of starting the power tool accidentally.
- **Store idle power tools out of the reach of children and do not allow persons unfamiliar with the power tool or these instructions to operate the power tool.** Power tools are dangerous in the hands of untrained users.
- **Maintain power tools. Check for misalignment or binding of moving parts, breakage of parts and any other condition that may affect the power tool's operation. If damaged, have the power tool repaired before use.** Many accidents are caused by poorly maintained power tools.
- **Keep cutting tools sharp and clean.** Properly maintained cutting tools with sharp cutting edges are less likely to bind and are easier to control.
- **Use the power tool, accessories and tool bits etc. in accordance with these instructions, taking into account the working conditions and the work to be performed.** Use of the power tool for operations different from those intended could result in a hazardous situation.

Service

- **Have your power tool serviced by a qualified repair person using only identical replacement parts.** This will ensure that the safety of the power tool is maintained.

Chain Saw Safety Warnings:

- **Keep all parts of the body away from the saw chain when the motor is operating. Before you start the chain saw, make sure the saw chain is not contacting anything.** A moment of inattention while operating chain saws may cause entanglement of your clothing or body with the saw chain.
- **Hold the power tool by insulated gripping surfaces only, because the saw chain may contact hidden wiring or its own cord.** Saw chains contacting a "live" wire may make exposed metal parts of the power tool "live" and could give the operator an electric shock.
- **Always hold the chain saw with your right hand on the rear handle and your left hand on the front handle.** Holding the chain saw with a reversed hand configuration increases the risk of personal injury and should never be done.

- **Wear safety glasses and hearing protection. Further protective equipment for head, hand, legs and feet is recommend.** Adequate protective clothing will reduce personal injury by flying debris or accidental contact with saw chain.
- **Do not operate a chain saw in a tree.** Operation of a chain saw while up in a tree may result in personal injury.
- **Always keep proper footing and operate the chain saw only when standing on fixed, secure and level surface.** Slippery or unstable surfaces such as ladders may cause a loss of balance or control of the chain saw.
- **When cutting a limb that is under tension be alert for spring back.** When the tension in the wood fibres is released the spring loaded limb may strike the operator and/or throw the chain saw out of control.
- **Use extreme caution when cutting brush and saplings.** The slender material may catch the saw chain and be whipped toward you or pull you off balance.
- **Carry the chain saw by the front handle with the chain saw switched off and away from your body. When transporting or storing the chain saw always fit the guide bar cover.** Proper handling of the chain saw will reduce the likelihood of accidental contact with the moving saw chain.
- **Follow instructions for lubricating, chain tensioning and changing accessories.** Improperly tensioned or lubricated chain may either break or increase the chance for kickback.
- **Keep handles dry, clean, and free from oil and grease.** Greasy, oily handles are slippery causing loss of control.
- **Cut wood only. Don't use chain saw for purposes not intended. For example: do not use chain saw for cutting plastic, masonry or non-wood building materials.** Use of the chain saw for operations different than intended could result in a hazardous situation.

Causes and Operator Prevention of Kickback:

- Kickback may occur when the nose or tip of the guide bar touches an object, or when the wood closes in and pinches the saw chain in the cut.
- Tip contact in some cases may cause a sudden reverse reaction, kicking the guide bar up and back towards the operator.
- Pinching the saw chain along the top of the guide bar may push the guide bar rapidly back towards the operator.
- Either of these reactions may cause you to lose control of the saw which could result in serious personal injury. Do not rely exclusively upon the safety devices built into your saw. As a chain saw user, you should take several steps to keep your cutting jobs free from accident or injury.

Kickback is the result of tool misuse and/or incorrect operating procedures or conditions and can be avoided by taking proper precautions as given below:

- **Maintain a firm grip, with thumbs and fingers encircling the chain saw handles, with both hands on the saw and position your body and arm to allow you to resist kickback forces.** Kickback forces can be controlled by the operator, if proper precautions are taken. Do not let go of the chain saw.
- **Do not over reach and do not cut above shoulder height.** This helps prevent unintended tip contact and enables better control of the chain saw in unexpected situations.
- **Only use replacement bars and chains specified by the manufacturer.** Incorrect replacement bars and chains may cause chain breakage and/or kickback.
- **Follow the manufacturer's sharpening and maintenance instructions for the saw chain.** Decreasing the depth gauge height can lead to increased kickback.

Additional safety warnings:

- It is recommended that the first time user should have practical instruction in the use of the chain-saw and the protective equipment from an experienced operator and that the initial practice should be cutting logs on a saw horse or cradle.
- This appliance is not intended for used by persons (including children) with reduced physical, sensory or mental capabilities, or lack of experience and knowledge, unless they have been given supervision or instruction concerning use of the appliance by a person responsible for their safety.
Children should be supervised to ensure that they do not play with the appliance.
- **Children and juveniles, except above age 16, under supervision and for educational purposes, must not operate the chain saw, nor should persons unfamiliar with the saw or its handling (when borrowing).** Ensure operation manual is with the saw. Persons unfit or tired must not operate the chain saw.

Technical data

Chain saw		AKE 30 S	AKE 35 S	AKE 40 S
Part number (typ)		3 600 H34 4..	3 600 H34 5..	3 600 H34 6..
Rated power	[W]	1800	1800	1800
Chain speed (no load)	[m/s]	9	9	9
Chain bar length	[cm]	30	35	40
Tool-less chain tensioning (SDS)		●	●	●
Nose sprocket		–	●	●
Kickback Brake		●	●	●
Chain type		3/8" - 90	3/8" - 90	3/8" - 90
Drive link thickness	[mm]	1.1 (0.043")	1.1 (0.043")	1.1 (0.043")
Amount of drive links		45	52	57
Oil reservoir capacity	[ml]	200	200	200
Automatic oiler		●	●	●
Metal gripping teeth		●	●	●
Weight without mains cable. **	[kg]	3.9	4.0	4.1
Protection class		□ / II	□ / II	□ / II

**measured with chain bar and chain

Note: Please observe the order number of your machine. The trade names of individual machines can vary.

Inrush currents cause short-time voltage drops. Under unfavourable power supply conditions, other equipment may be affected. If the system impedance of the power supply is lower than 0.25 Ohm, disturbances are unlikely to occur.

Intended Use

The chain saw is intended for sawing of trees, tree trunks, branches, wooden beams, planks, etc. Cuts can be sawed with or across the grain. This product is not suitable for sawing mineral materials.

Introduction

This manual gives instructions on the correct assembly and safe use of your chain saw. It is important that you read these instructions carefully.

Delivered Items

Carefully remove the machine from its packaging and check for complete contents:

- Chain saw
- Cover plate
- Chain
- Chain bar
- Oil filler cap
- Chain guard
- Operating instructions

When parts are missing or damaged, please contact your dealer.

Product Features

- 1 Rear handle
- 2 On/Off switch
- 3 Safety lock
- 4 Oil filler cap
- 5 Activation lever for kickback brake (hand guard)
- 6 Front handle
- 7 Nose sprocket (AKE 35/40 S only)
- 8 Chain guard
- 9 Chain
- 10 Chain bar
- 11 Gripping teeth
- 12 Locking knob
- 13 Cover plate
- 14 Chain tensioning knob
- 15 Power supply cable*
- 16 Mains plug**
- 17 Serial Number
- 18 Chain catch bolt
- 19 Drive sprocket
- 20 Fastening bolt
- 21 Symbol for rotation and cutting direction
- 22 Oil outlet
- 23 Guide fins for chain bar
- 24 Chain tensioning peg
- 25 Oil-level indicator
- 26 Ventilation slots

**Country specific

***Not all of the accessories illustrated or described are included as standard delivery.**



For Your Safety

Warning! Switch off, remove plug from mains before adjusting cleaning or if the cable is cut, damaged or entangled.

Caution! Do not touch rotating chain.

Do not operate chain saw near other people, children or animals. Do not operate chain saw after drinking alcohol or under the influence of intoxicating drugs or medication.

Electrical Safety

Your machine is double insulated for safety and requires no earth connection. The operating voltage is 230 V AC, 50 Hz (for non-EU countries 220 V, 240 V as applicable). Only use approved extension cables. Extension cords/leads should only be used if they comply with H07-F types or IEC (60227 IEC 53).

If you want to use an extension cable when operating your product, only the following cable dimensions should be used:

- 1.0 mm²: max length 40 m
- 1.5 mm²: max length 60 m
- 2.5 mm²: max length 100 m

It is recommended for increased electrical safety to use a Residual Current Device (RCD) with a tripping current of not more than 30 mA. Always check your RCD every time you use it.

For products **not sold in GB**:

WARNING: For safety, it is essential that the mains plug **16** attached to the machine is fitted to the power supply cable **15** as shown.

The couplings of connection leads must be protected against splashes and the coupling sockets on the leads must be made of rubber or coated with rubber.

Fixing means for the connection leads must be used.

The connection lead must be inspected for signs of damage at regular intervals and may only be used if in perfect condition.

If the supply cord is damaged, it must be replaced by a Bosch Service Centre.

Products sold in **GB** only: Your chain saw is fitted with an approved 13 A (BS 1363/A) electric plug and is protected by a 13 A fuse (ASTA Approved to BS 1362).

If the fitted plug is not suitable for your socket outlets, it should be cut off and an appropriate plug fitted in its place by an authorized customer service agent.

The severed plug must be disposed of to avoid a possible shock hazard and should never be inserted into a 13 A socket elsewhere.

Assembly/Tensioning Chain

! Do not connect the chain saw to mains before it is completely assembled.

Always use gloves when handling the chain.

A1 A2 A3 Chain and chain bar Assembly

1. Unpack all parts carefully.
2. Place the chain saw on any suitable flat surface.
3. Slide the chain **9** in the slot around the chain bar **10**. Ensure chain is in correct running direction by comparing with chain symbol **21**.
4. Fit the chain onto the drive sprocket **19** and guide the chain bar **10**, so that the fastening bolt **20** and the two guide fins **23** fit into the keyway of the chain bar **10**, and that the chain tensioning peg **24** fits into the respective hole of the chain bar **10**. If necessary, turn the tensioning knob **14** to bring tensioning peg **24** in alignment with the hole in the chain bar **10**. Check if all parts are seated properly and hold chain and chain bar in a level position. (see figure **A1**)
5. Turn the tensioning knob **14** until all the slack is taken up in the chain.
6. Fit cover plate **13**. (see figure **A2**)
7. Handtighten locking knob **12** on fastening bolt **20**. (see figure **A3**)

! If too tight then the chain can lose tension during use.

The locking knob must only lightly clamp the chain bar.

A1 A2 A3 C Tensioning chain

Always check the chain tension before use, after the first cuts and regularly during use, approx. every 10 minutes. Upon initial operation, new chains can lengthen considerably.

The chain life of the saw chain mainly depends upon sufficient lubrication and correct tensioning.

Avoid tensioning the chain if it is hot, as this will cause the chain to become overtensioned when it cools down.

1. Place the chain saw on any suitable flat surface.
2. Check if the chain links are correctly located in the slot around the chain bar **10** and drive sprocket **19**.
3. Loosen locking knob **12** until it is just holding chain bar in position (do not remove!).
4. Turn tensioning knob **14** clockwise until the correct chain tension is reached. The turning action forces the chain bar **10** forward via the chain tensioning peg **24**.
5. The correct chain tension is reached when the chain **9** can be raised approx. 5–10 mm from the chain bar in the centre. This should be done by using one hand to raise the chain against the weight of the machine.

6. If the chain **9** is overtensioned, slightly turn the tensioning knob **14** anti-clockwise and re-check chain tension. Re-adjust chain tension as described if necessary.

7. Handtighten locking knob **12** on fastening bolt **20**.

! If too tight then the chain can lose tension during use.

The locking knob must only lightly clamp the chain bar.

B Lubrication

! Important: The chain saw is not supplied filled with oil. It is essential to fill with oil before use. Never operate the chain saw without chain oil or at an empty oil tank level, as this will result in extensive damage to the product.

Chain life and cutting capacity depend on optimum lubrication. Therefore, the chain is automatically oiled during operation via the oil outlet **22**.

Filling oil tank:

- Set chain saw on any suitable surface with oil filler cap **4** facing upward.
- Clean area around the oil filler cap **4** with cloth, unscrew cap.
- Add Bosch biodegradable chain saw oil until reservoir is full.
- Avoid dirt or debris entering oil tank, refit oil filler cap **4** and tighten.

! Important: To allow venting of the oil reservoir, small breather channels are provided between the oil filler cap, to prevent leakage ensure machine is left in a horizontal position (oil filler cap **4** uppermost) when not in use.

It is important to use only the recommended biodegradable oil to avoid damage to the chain saw. Never use recycled/old oil. Use of non approved oil will invalidate the warranty.

Starting and Stopping

Observe the correct mains voltage! The voltage of the power source must agree with the value given on the nameplate of the machine. Machines designated for 230 V can also be operated with 220 V.

Switching On and Off

Hold chain saw as described in "Cutting".

For **switching on** the machine, press the lock-off button **3**, then fully press the On/Off switch **2** and hold in this position. The lock-off button **3** can now be released.

For **switching off**, release the On/Off switch **2**.

Do not stop chain saw after sawing by activating the front hand guard (kickback brake).

D Kickback Brake

The **kickback brake** is a safety mechanism activated through the front hand guard **5**, when kickback occurs. Chain stops immediately.

The following function check should be carried out at regular intervals. Push front hand guard **5** forward (position **2**) and start the chain saw. The chain must not start. To deactivate the kickback brake, release On/Off switch **2** and pull hand guard **5** backwards (position **1**).

Cutting

Before Cutting

Before and periodically during cutting check as follows:

- Is the chain saw in a fail-safe condition?
- **B** Is the oil reservoir filled? Check oil level gauge **25** prior to starting and regularly during operation. Refill oil when oil level is low. The oil tank filling will last approx. 15 minutes, depending on sawing intensity and stops.
- Is the chain tension in order and is the chain sharp? Check chain tension every 10 minutes during operation. Upon initial operation, new chains can lengthen considerably. The condition of the chain influences the cutting performance. Only a sharp chain protects from overload.
- Is the kickback brake deactivated and its function ensured?
- Are you wearing the necessary protective equipment? Wear safety glasses and hearing protection. Further protective equipment for head, hand, legs and feet is recommend. Adequate protective clothing will reduce personal injury by flying debris or accidental contact with saw chain.

D Kickback

Kickback is the sudden backward/upward motion of the chain saw, occurring when the chain (at the tip of the chain bar) comes in contact with a log or wood, or when the chain becomes jammed.

When kickback occurs the chainsaw reacts unpredictably and can cause severe injuries to the operator or bystanders.

Particular attention must be given when sawing sideways, slanted or during length cuts, as the gripping teeth **11** usually can not be applied.

To avoid kickback:

- Saw with the chain bar at a flat angle.
- Never work with a loose, widely stretched or the heavily worn out chain.
- Ensure chain is sharpened correctly.
- Never saw above shoulder height.
- Never work with the tip of the chain bar.
- Always hold chain saw firmly with both hands.
- Always use a Bosch low-kickback chain.
- Apply the metal gripping teeth **11** for leverage.
- Ensure correct chain tension.

General Behavior

D Always hold the chain saw firmly with both hands. Front grip with the left hand and rear grip with the right hand. Fully grip both handles at all times during operation. Never operate chain saw using only one hand. Ensure power cord is located to the rear, away from the chain and wood and so positioned that it will not be caught on branches or the like during cutting.

E Use the chain saw only with secure footing. Hold the chain saw at the right-hand side of your body.

F The chain must be running at full speed before it makes contact with the wood. Use the metal gripping teeth **11** to secure the saw onto the wood before starting to cut. Use the gripping teeth as a leverage point "X" while cutting.

Reset the gripping teeth at a lower point when sawing thicker logs by pulling the chain saw slightly backwards until the gripping teeth release, and reposition at lower level to continue sawing. Do not remove the saw completely from the wood.

Do not force the chain while cutting, let the chain do the work, using the gripping teeth **11** to apply minimal leverage pressure.

G Do not operate the chain saw with arms fully extended or attempt to saw areas which are difficult to reach, or on a ladder. Never use the chain saw above shoulder height.

Sawing is optimized when the chain speed remains steady during cutting.

Beware when reaching the end of the cut. The weight of the saw may change unexpectedly as it cuts free from the wood. Accidents can occur to the legs and feet.

Always remove the saw from a wood cut while the saw is running.

Cutting Logs

Observe the following safety instructions:

E H Support logs so that the face sides at the cut do not close in against each other, which would result in the chain being jammed or pinched.

Position and set short logs safely prior to sawing.

Saw only wood or wooden objects. When sawing, always take care to avoid hitting stones, nails, etc., as these could be thrown up or cause damage to the chain or serious injury to the operator or bystanders. Keep a running saw clear of wire fencing or the ground.

Use of the saw to thin out branches or bushes is not approved.

Length cuts must be carried out with care, as leverage with the gripping teeth 11 is not possible. Saw at a flat angle to avoid kickback.

When working on a slope, operate above or to the side of the trunk or laying tree.

Be careful not to trip over tree stumps, branches, roots, etc.

[1] Cutting Wood under Tension

There is a high risk of accidents when sawing wood, branch or trees under tension. Be extremely careful. **Leave saw jobs like these to professionals.**

When sawing logs supported on both ends, start the cut from above (**Y**) about 1/3 of the diameter into the log and then finish the cut (**Z**) from below, in order to avoid splitting of the log or jamming of the saw. Avoid contact of the chain saw with the ground. When sawing logs supported on only one end, start the cut from below (**Y**) about 1/3 of the diameter into the log and finish the cut from above (**Z**), in order to avoid log splitting or jamming of the chain saw.

[1] Felling Trees

! Always wear hard hat to protect head against falling branches.

The chain saw can only be used to fell trees smaller in diameter than the length of the chain bar.

! Secure work area. Ensure no persons or animals are in the vicinity of the falling tree.

Never attempt to free a jammed saw with the motor running. Use wooden wedges to free chain and chain bar.

When cutting and felling operations are being performed by two or more persons, at the same time, the felling operations should be separated from the cutting operation by a distance of at least twice the height of the tree being felled. Trees should not be felled in a manner that would endanger any person, strike any utility line or cause any property damage. If the tree does make contact with any utility line, the company should be notified immediately.

The chain saw operator should keep on the uphill side of the terrain as the tree is likely to roll or slide downhill after it is felled.

! An escape path should be planned and cleared as necessary before cuts are started. The escape path should extend back and diagonally to the rear of the expected line of fall.

! Before felling is started, consider the natural lean of the tree, the location of larger branches and the wind direction to judge which way the tree will fall. Remove dirt, stones, loose bark, nails staples, and wire from the tree.

Notching Undercut: Make the notch (**X – W**) 1/3 the diameter of the tree, perpendicular to the direction of falls as Make the lower horizontal notching cut first. This will help to avoid pinching either the saw chain or the guide bar when the second notch is being made.

Felling Back Cut: Make the felling back cut (**Y**) at least 50 mm higher than the horizontal notching cut. Keep the felling back cut parallel to the horizontal notching cut. Make the felling back cut so enough wood is left to act as a hinge. The hinge wood keeps the tree from twisting and falling in the wrong direction. Do not cut through the hinge.

As the felling gets close to the hinge the tree should begin to fall. If there is any chance that the tree may not fall in desired direction or it may rock back and bind the saw chain, stop cutting before the felling back cut is complete and use wedges of wood, plastic or aluminium to open the cut and drop the tree along the desired line of fall.

When the tree begins to fall remove the chain saw from the cut, stop the motor, put the chain saw down, then use the retreat path planned. Be alert for overhead limbs falling and watch your footing.

To complete the felling operation, drive a wedge (**Z**) into the horizontal cut.

Beware of falling branches when the tree starts to move.

Limbing a Tree

[K] Limbing is removing the branches from a fallen tree. When limbing leave larger lower limbs to support the log off the ground. Remove the small limbs in one cut as illustrated. Branches under tension should be cut from the bottom up to avoid binding the chain saw.

Bucking a Log

[L] Bucking is cutting a log into lengths. It is important to make sure your footing is firm and your weight is evenly distributed on both feet. When possible, the log should be raised and supported by the use of limbs, logs or chocks. Follow the simple directions for easy cutting.

When the log is supported along its entire length as illustrated, it is cut from the top (overbuck).

[M] When the log is supported on one end, as illustrated, cut 1/3 the diameter from the underside (underbuck). Then make the finished cut by overbucking to meet the first cut.

N When the log is supported on both ends, as illustrated, cut 1/3 the diameter from the top overbuck. Then make the finished cut by underbucking the lower 2/3 to meet the first cut.

Q When bucking on a slope always stand on the uphill side of the log, as illustrated. When "cutting through", to maintain complete control release the cutting pressure near the end of the cut without relaxing your grip on the chain saw handles. Don't let the chain contact the ground. After completing the cut, wait for the saw chain to stop before you move the chain saw. Always stop the motor before moving from tree to tree.

Maintenance

! Before any work on the machine itself, pull the mains plug from the socket.

Note: To ensure long and reliable service, carry out the following maintenance regularly.

Regularly check for obvious defects such as loose, dislodged or damaged chain and chain bar, loose fixings and worn or damaged components.

Check that covers and guards are undamaged and correctly fitted. Carry out necessary maintenance or repairs before using the chain saw.

If the chain saw should happen to fail despite the care taken in manufacturing and testing, repair should be carried out by an authorized customer service agent.

Before returning, ensure all oil in the oil tank has been emptied.

For all correspondence and spare parts orders, always include the 10-digit part number (TYP) from the nameplate of the machine!

Replacing/Changing Chain and Chain Bar

Fit the chain and chain bar as described in "Assembly and Tensioning Chain".

The circular groove of the chain bar will wear particularly on the lower edge with time. When replacing the chain turn the chain bar 180° to allow even wear, thus extending chain bar life.

Check drive sprocket **19**. If it is worn out or damaged due to strain, have it exchanged by an authorized Bosch service agent.

Sharpening Chain

Have your chain sharpened professionally at your Bosch approved service agent or sharpen the chain yourself using the Bosch sharpening kit or a Dremel

power tool with the appropriate grinder (1453), both available at your Bosch approved service agent. Follow the sharpening instructions supplied with the sharpening kit.

Checking the Automatic Oiler

Proper functioning of the automatic oiler can be checked by running the chain saw and pointing the tip of the chain bar towards a piece of cardboard or paper on the ground. Caution: Do not touch the ground with the chain. Ensure safety clearance of 20 cm. If an increasing oil pattern develops, the automatic oiler is operating fine. If there is no oil pattern, despite a full oil reservoir, see "Fault Finding" or contact your Bosch approved service agent.

Accessories

Chain and Chain bar

AKE 30 S..... F 016 800 259

AKE 35 S..... F 016 800 260

AKE 40 S..... F 016 800 261

Chain

AKE 30 S..... F 016 800 256

AKE 35 S..... F 016 800 257

AKE 40 S..... F 016 800 258

Cleaning

Chain sharpening/cleaning kit F 016 800 262

Chain oil 1 litre 2 607 000 181

Cleaning/Storage

Clean the moulded plastic housing of the chain saw using a soft brush and clean cloth. Do not use water, solvents or polishes. Remove all debris, especially from the motor cooling vents **26**.

Remove and brush clean the cover plate **13**, chain and chain bar after 1 to 3 hours of use.

Clean the area under the cover plate **13**, the drive sprocket **19** and chain bar assembly using a soft brush. Clean oil outlet **22** with a clean cloth.

If the chain saw is to be stored for a longer period of time, clean chain and chain bar.

Store in a secure, dry place out of the reach of children. Do not place other objects on the chain saw.

To prevent leakage ensure machine is left in a horizontal position (oil filler cap **4** uppermost).

When storing machine in original packaging the oil tank must be completely emptied.

Fault Finding

The following table gives checks and actions that you can perform if your machine does not operate correctly. If these do not identify/remedy the problem, contact your service agent.

Warning: Switch off and remove plug from mains before investigating fault.

Symptom	Possible Cause	Remedy
Chain saw fails to operate	Kickback brake is activated No power Mains socket faulty Extension cord damaged Fuse faulty	Pull hand guard 5 back in position 1 (Figure D) Check power Use another socket Check cord, replace Replace fuse
Chain saw operates intermittently	Extension cord damaged Loose connection Internal wiring defective On/Off switch defective	Check cord, replace Contact service agent Contact service agent Contact service agent
Dry chain	No oil in reservoir Vent in oil filler cap clogged Oil passage clogged	Refill oil Clean cap Clean oil passage outlet
Kickback Brake/Run Down Brake	Brake does not stop chain	Contact service agent
Chain/chain bar overheats	No oil in reservoir Vent in oil filler cap clogged Oil passage clogged Chain is over tensioned Dull chain	Refill oil Clean cap Clean oil passage outlet Adjust chain tension Sharpen chain or replace
Chain saw rips, vibrates, does not saw properly	Chain tension too loose Dull chain Chain worn out Chain teeth are facing in the wrong direction	Adjust chain tension Sharpen chain or replace Replace chain Reassemble with chain in correct direction

Disposal

Power tools, accessories and packaging should be sorted for environmental-friendly recycling.

Only for EC countries:



Do not dispose of power tools into household waste!

According to the European Directive 2002/96/EC on waste electrical and electronic equipment and its incorporation into national law, products that

are no longer suitable for use must be separately collected and sent for recovery in an environmentally-friendly manner.

After-Sales Service and Customer Assistance

Our after-sales service responds to your questions concerning maintenance and repair of your product as well as spare parts. Exploded views and information on spare parts can also be found under:

www.bosch-pt.com

Our customer consultants answer your questions concerning best buy, application and adjustment of products and accessories.

Great Britain

Robert Bosch Ltd. (B.S.C.)
P.O. Box 98
Broadwater Park
North Orbital Road
Denham
Uxbridge
UB 9 5HJ

Tel. Service: +44 (0844) 736 0109
Fax: +44 (0844) 736 0146
E-Mail: boschservicecentre@bosch.com

Ireland

Origo Ltd.
Unit 23 Magna Drive
Magna Business Park
City West
Dublin 24
Tel. Service: +353 (01) 4 66 67 00
Fax: +353 (01) 4 66 68 88

Australia, New Zealand and Pacific Islands

Robert Bosch Australia Pty.Ltd.
Power Tools
Locked Bag 66
Clayton South VIC 3169
Customer Contact Center

Inside Australia:
Phone: +61 (01300) 307 044
Fax: + 61 (01300) 307 045

Inside New Zealand:
Phone: +64 (0800) 543 353
Fax: +64 (0800) 428 570

Outside AU and NZ:
Phone: +61 (03) 9541 5555
www.bosch.com.au

Republic of South Africa

Customer service

Hotline: +27 (011) 6 51 96 00

Gauteng – BSC Service Centre

35 Roper Street, New Centre
Johannesburg
Tel.: +27 (011) 4 93 93 75
Fax: +27 (011) 4 93 01 26
E-Mail: bsctools@icon.co.za

KZN – BSC Service Centre

Unit E, Almar Centre
143 Crompton Street
Pinetown
Tel.: +27 (031) 7 01 21 20
Fax: +27 (031) 7 01 24 46
E-Mail: bsc.dur@za.bosch.com

Western Cape – BSC Service Centre

Democracy Way, Prosperity Park
Milnerton
Tel.: +27 (021) 5 51 25 77
Fax: +27 (021) 5 51 32 23
E-Mail: bsc@zsd.co.za

Bosch Headquarters

Midrand, Gauteng
Tel.: +27 (011) 6 51 96 00
Fax: +27 (011) 6 51 98 80
E-Mail: rbsa-hq.pts@za.bosch.com

CE Declaration of Conformity

Measured sound values determined according to 2000/14/EC.

Typically the A-weighted noise levels of the product are: sound pressure level 95 dB(A); sound power level 103 dB(A). Uncertainty K=1.2 dB.

Wear hearing protection!

Vibration total values (triax vector sum) determined according to EN 60745:
Vibration emission value $a_{h1}=4 \text{ m/s}^2$,
Uncertainty K=1.5 m/s^2 .

The vibration emission level given in this information sheet has been measured in accordance with a standardised test given in EN 60745 and may be used to compare one tool with another. It may be used for a preliminary assessment of exposure.

The declared vibration emission level represents the main applications of the tool. However if the tool is used for different applications, with different accessories or poorly maintained, the vibration emission may differ. This may significantly increase the exposure level over the total working period.

An estimation of the level of exposure to vibration should also take into account the times when the tool is switched off or when it is running but not actually doing the job. This may significantly reduce the exposure level over the total working period.

Identify additional safety measures to protect the operator from the effects of vibration such as: maintain the tool and the accessories, keep the hands warm, organisation of work patterns.

We declare under our sole responsibility that the product described under „Technical data“ is in conformity with the following standards or standardization documents: EN 60745 according to the provisions of the directives 2004/108/EC, 2006/42/EC, 2000/14/EC.

EC Type Certification No. 2129874.01 CE by notified testing agency No. 0344, KEMA Quality B.V. Arnhem, Netherlands.



2000/14/EC: Guaranteed sound power level 105 dB(A).
Conformity assessment procedure according to Annex
V.

Equipment category: 6

Technical file at: Bosch Lawn and Garden Ltd., PT-
LG/EAE, Stowmarket, Suffolk IP14 1EY, England

Leinfelden, 19.01.2010

Dr. Egbert Schneider
Senior Vice President
Engineering

Dr. Eckerhard Strötgen
Head of Product
Certification

Robert Bosch GmbH, Power Tools Division

Subject to change without notice

