

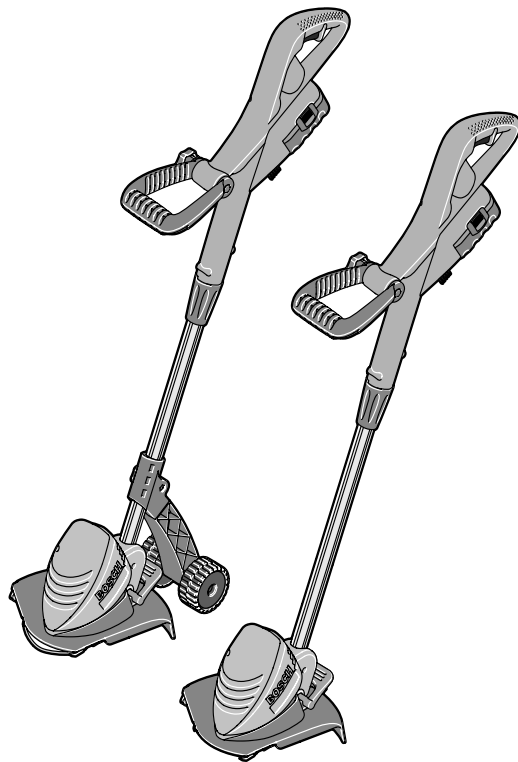


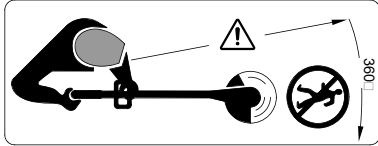
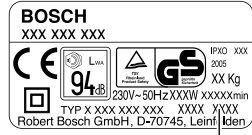
BOSCH

ART ACCUTRIM

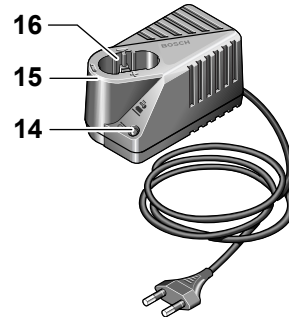
Originalbetriebsanleitung
Original instructions
Notice originale
Manual original
Manual original
Istruzioni originali
Oorspronkelijke
gebruiksaanwijzing
Original brugsanvisning
Bruksanvisning i original
Original driftsinstruks
Alkuperäiset ohjeet
Πρωτότυπο οδηγίων
χρήσης
Orijinal işletme talimatı
Instrukcja oryginalna
Původní návod k používání
Pôvodný návod na použitie
Eredeti használati utasítás
Оригинальное руководст-
во по эксплуатации
Оригинальна інструкція з
експлуатації
Instrucțiuni originale
Оригинална инструкция
Originalno uputstvo za rad
Izvirna navodila
Originalne upute za rad
Algupärane kasutusjuhend
Instrukcijas oriģinālvalodā
Originali instrukcija

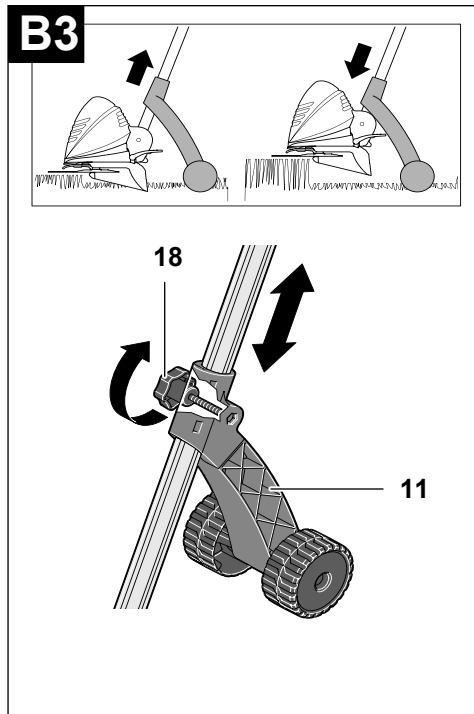
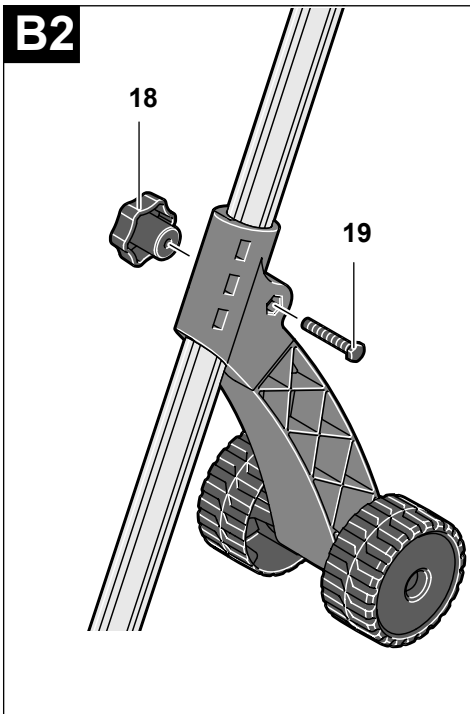
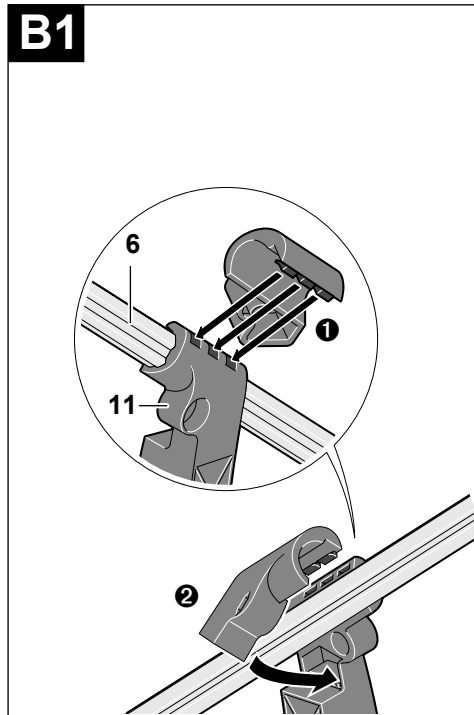
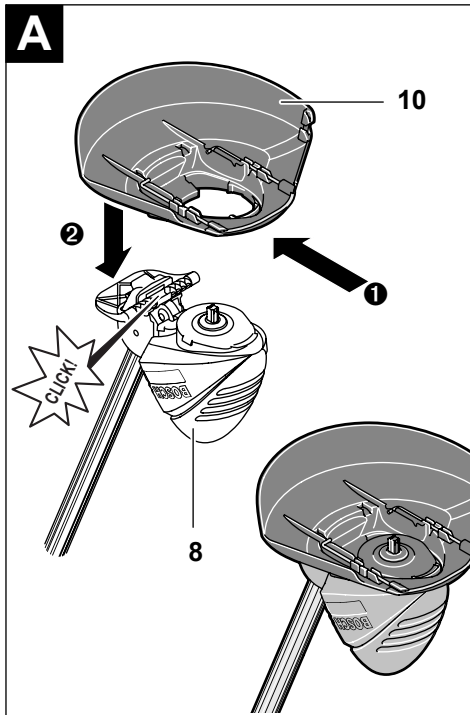
Deutsch	Polski
English	Česky
Français	Slovensky
Español	Magyar
Português	Русский
Italiano	Українська
Nederlands	Română
Dansk	Български
Svenska	Srpski
Norsk	Slovensko
Suomi	Hrvatski
Ελληνικά	Eesti
Türkçe	Latviešu
	Lietuviškai

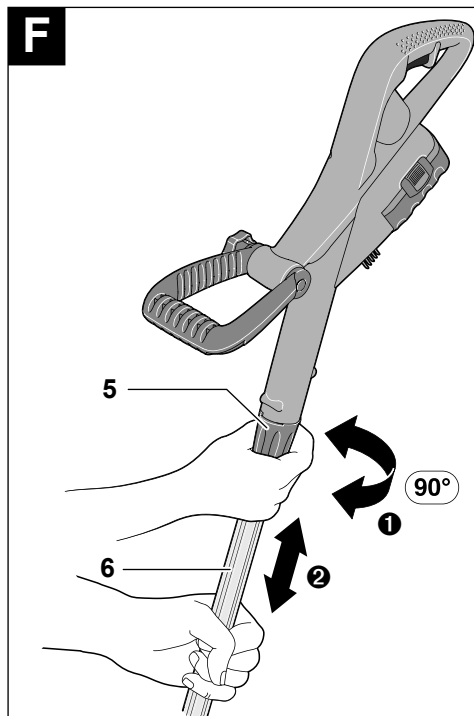
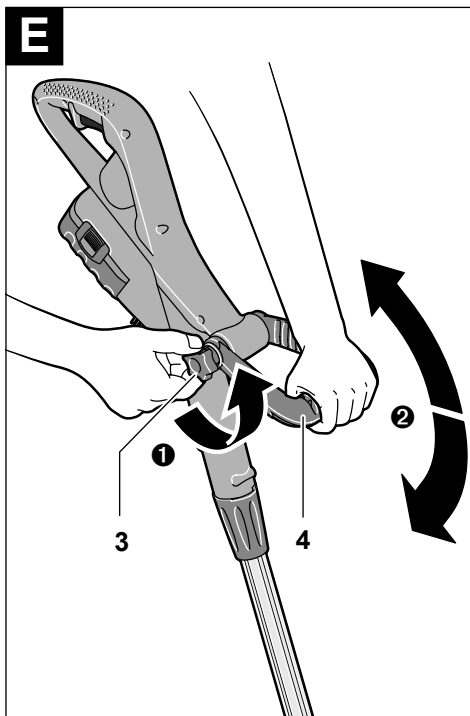
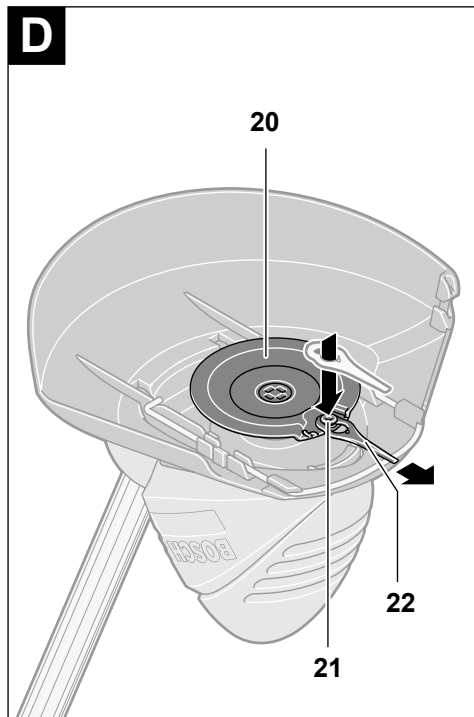
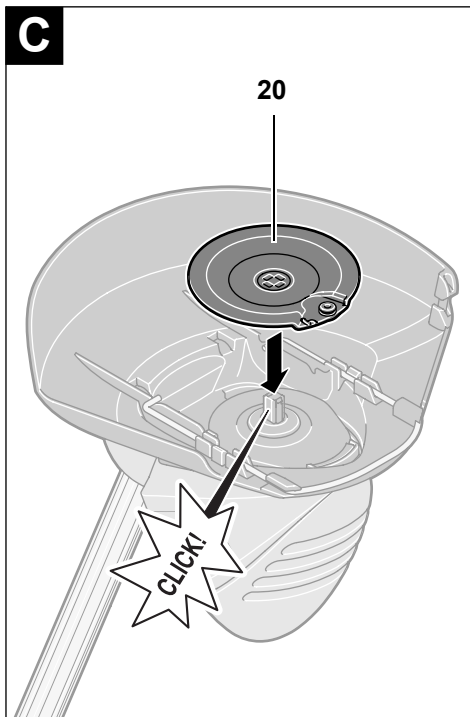


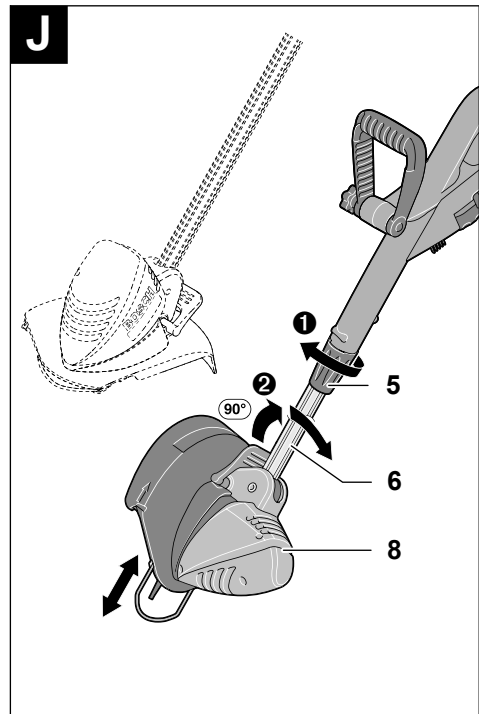
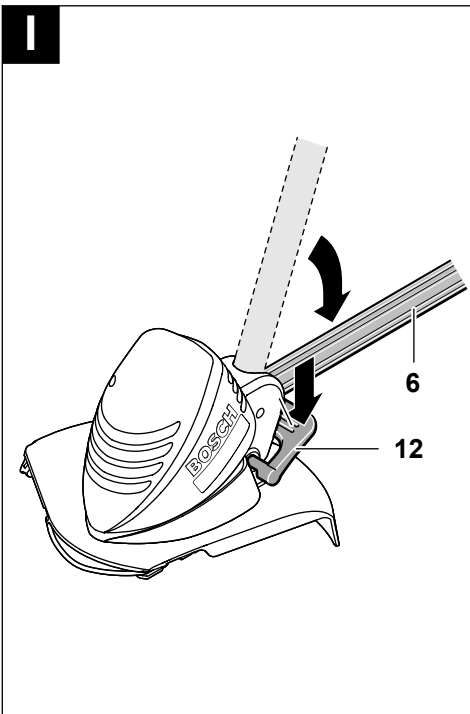
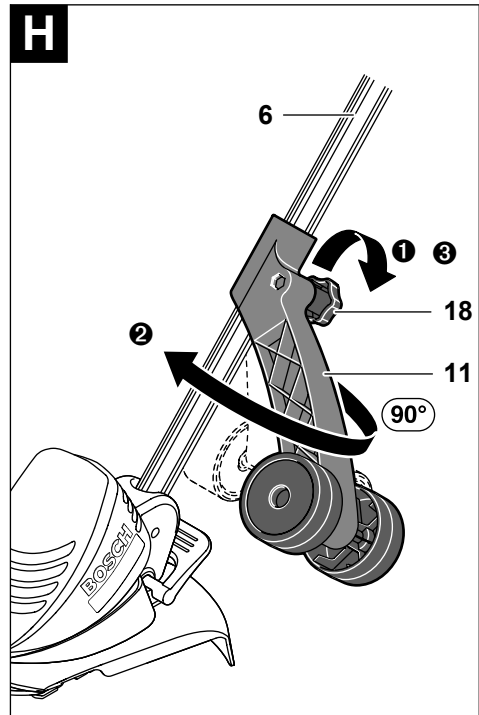
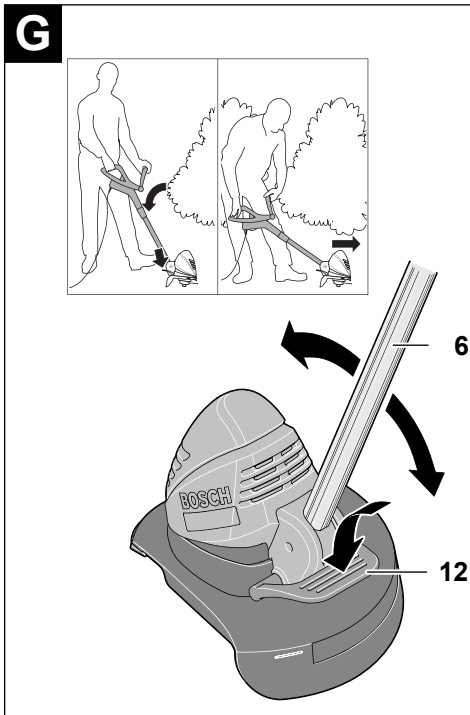


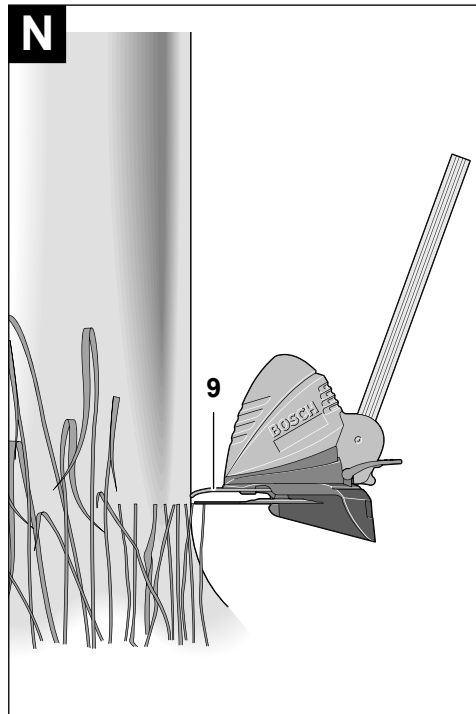
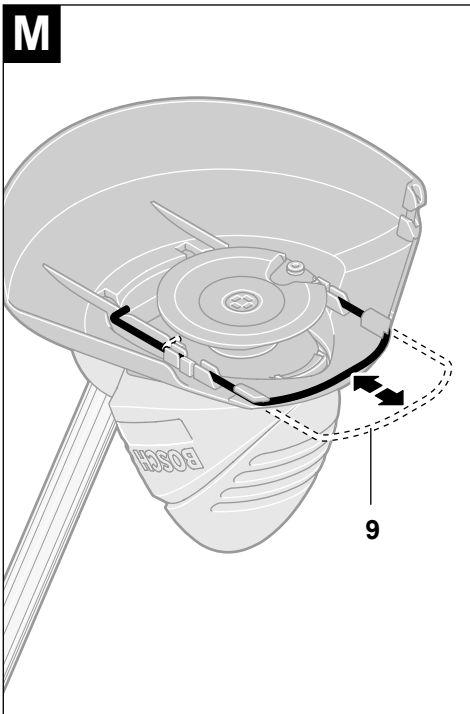
17

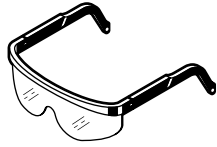












F 016 800 178



F 016 800 172



F 016 800 173



24x

F 016 800 177
(ART 23 ACCUTRIM)

F 016 800 183
(ART 26 ACCUTRIM)



Safety Notes

Warning! Read these instructions carefully, be familiar with the controls and the proper use of the trimmer. Please keep the instructions safe for later use.

Explanation of symbols on the trimmer



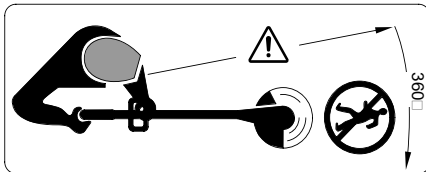
General hazard safety alert.



Read instruction manual.



Wear eye protection.



Beware of thrown or flying objects to bystanders.

Keep bystanders a safe distance away from the machine.

Remove battery before adjusting or cleaning, and before leaving the machine unattended for any period.



Do not work in the rain or leave the trimmer outdoors whilst it is raining.

- Never operate the trimmer with damaged guards or shields or without guards or shields in position.



Do not use the charger if the cord is damaged.

- Before using the machine and after impact, check for signs of wear or damage and repair if necessary.
- Do not operate the trimmer when barefoot or wearing open sandals, always wear substantial footwear and long trousers.
- Never allow children or people unfamiliar with these instructions to use the trimmer. Local regulations may restrict the age of the operator. When not in use store the trimmer out of reach of children.
- This appliance is not intended for use by persons (including children) with reduced physical, sensory or mental capabilities, or lack of experience and knowledge, unless they have been given supervision or instruction concerning use of the appliance by a person responsible for their safety.

Children should be supervised to ensure that they do not play with the appliance.

- Never work with this trimmer while people, especially children or pets are nearby.
- The operator or user is responsible for accidents or hazards occurring to other people or their property.
- Wait until the blade has completely stopped before touching it. The blade continues to rotate after the trimmer is switched off, a rotating blade can cause injury.
- Work only in daylight or in good artificial light.
- Avoid operating the trimmer in wet grass, where feasible.
- Switch off when transporting the trimmer to and from the area to be worked on.
- Switch on the trimmer with hands and feet well away from the rotating line.
- Do not put hands or feet near the rotating blade.
- Never fit metal cutting elements to this trimmer.
- Inspect and maintain the trimmer regularly.
- Have the trimmer repaired only by an authorized customer service agent.
- Always ensure that the ventilation slots are kept clear of debris.
- Switch off and remove battery from the trimmer:**
 - whenever you leave the machine unattended for any period
 - before replacing the blade
 - before cleaning or working on the trimmer.
- Store the machine in a secure dry place out of reach of children. Do not place other objects on top of the machine.
- Replace worn or damaged parts for safety.
- Ensure replacement parts fitted are Bosch approved.
- Ensure the switch is in the off position before inserting battery pack.** Inserting the battery pack into machines that have the switch on invites accidents.
- Recharge only with the charger specified by the manufacturer.** A charger that is suitable for one type of battery pack may create a risk of fire when used with another battery pack.
- Use machines only with specifically designed battery packs.** Use of any other battery packs may create a risk of injury and fire.

■ **When battery pack is not in use, keep it away from other metal objects like paper clips, coins, keys, nails, screws, or other small metal objects that can make a connection from one terminal to another.** Shorting the battery terminals together may cause burns or a fire.

■ **Under abusive conditions, liquid may be ejected from the battery; avoid contact. If contact accidentally occurs, flush with water. If liquid contacts eyes, additionally seek medical help.** Liquid ejected from the battery may cause irritation or burns.

Technical data

Trimmer	ART 23 ACCUTRIM/ ART 2300 ACCUTRIM	ART 26 ACCUTRIM/ ART 2600 ACCUTRIM
Part number (typ)	3 600 H78 E..	3 600 H78 F..
No-load speed [min ⁻¹]	9 500	9 500
Adjustable handle	●	●
Cutting Head angle adjustment/ edging adjustment	●	●
Cutting circle [cm]	23	26
Weight (without optional extras) [kg]	2.9	2.9
Serial Number	See serial No 17 (rating plate) on machine.	
Battery type	NiCd	NiCd
Part number (typ)	2 607 335 535	2 607 335 535
Nominal Voltage [V]	18	18
Capacity [Ah]	1.5	1.5
Charging time (empty battery) [min]	85 – 120	85 – 120
Battery charger	AL 60 DV 2411	AL 60 DV 2411
Part number (typ)	2 607 224 ...	2 607 224 ...
Charging current		
– Rapid-charging Procedure [A]	1.2	1.2
– Trickle-charging Procedure [mA]	60	60
Allowable charging temperature range [°C]	0 – 45	0 – 45

Intended Use

The product is intended for the cutting of grass and weeds under bushes, as well as on slopes and edges that can not be reached with the lawn mower. Intended Use is related to operation within 0 °C and 40 °C ambient temperature.

Introduction

This manual gives instructions on the correct assembly and safe use of your machine. It is important that you read these instructions carefully.

Delivered Items

Carefully remove the machine from its packaging and check that you have all the following items:

- Trimmer
- Cutting guard
- Adjustable handle (fitted)
- Wheels (ART 26/2600 ACCUTRIM only)
- Plant protector (ART 26/2600 ACCUTRIM only)
- Cutting disc
- Blades
- Battery charger
- Operating instructions

When parts are missing or damaged, please contact your dealer.

Operating Controls

- 1 On/Off switch
- 2 Handle
- 3 Handle wing nut
- 4 Adjustable handle
- 5 Adjusting collar
- 6 Shaft
- 7 Ventilation slots
- 8 Trimmer head
- 9 Plant protector (ART 26/2600 ACCUTRIM only)
- 10 Cutting guard
- 11 Wheels (ART 26/2600 ACCUTRIM only)
- 12 Foot pedal for head angle adjustment
- 13 Rechargeable battery
- 14 LED indicator
- 15 Battery charger
- 16 Charging compartment
- 17 Serial Number

Not all of the accessories illustrated or described are included as standard delivery.



For Your Safety

Warning! Switch off, remove battery from machine before adjusting or cleaning.

The blade continues to rotate for a few seconds after the trimmer is switched off.

Caution – do not touch rotating blade.

Charging Procedure

The charging procedure starts as soon as the mains plug is plugged into the socket and the battery **13** is inserted into the charging compartment **16**.

Due to the intelligent charging method, the charging condition of the battery is automatically detected and the battery is charged depending on battery temperature and voltage.

This gives longer life to the battery and always leaves it fully charged when kept in the charger for storage.

Control of the charging procedure is indicated via the charge control LED **14**:


Rapid-charging Procedure



The rapid-charging procedure is indicated by **flashing** of the charge control LED **14**.

The battery is fully charged as soon as the LED **14** switches from flashing to being lit continuously. Afterwards the battery can be removed for immediate use.

It is recommended not to remove the battery until the battery is fully charged.

 The rapid-charging procedure is possible only when the temperature of the battery is between 0 °C and 45 °C.

Trickle-charging Procedure



The trickle-charging procedure is indicated by **continuous lighting** of the LED **14**.

With the battery fully charged, the charger immediately switches to trickle-charge mode. This equalizes the natural running-down of the battery again.

Charging Advice

With continuous or several repetitive charging cycles without interruption, the charger can warm up. This is not harmful and does not indicate a technical defect of the unit.

A battery **13** that is new or has not been used for a longer period does not develop its full capacity until after approximately 5 charging/discharging cycles. Leave such batteries **13** in the charging compartment **16** until they have clearly warmed up.

A significantly reduced working period after charging indicates that the batteries are worn out and must be replaced.

Assembly



Do not connect the battery before product is completely assembled.

Ensure product is assembled in the following order:

A Mounting the Cutting Guard

Place the cutting guard **10** on the trimmer head **8**.

1 Hook the guard onto trimmer head and push until secure fitting.

2 Push rear of guard until secure (click).

Mounting the Wheels (ART 26/2600 ACCUTRIM only)

- E1** Fit the wheels **11** onto the shaft **6**.
- E2** Fit the bolt **19** and the wingnut **18**.

Note: The position of the wheels can be adjusted by loosening the wingnut **18** and moving to the desired position.

- E3** The wheels can be moved up and down the shaft **6** depending on the height of cut required.

Fitting Cutting Disc/Fitting Blade

- C** Press cutting disc **20** onto drive adaptor as shown (click).
- D** Fit the blade, place the blade **22** over the pivot **21** and pull outwards until it snaps into place.

Adjustment

E Using Adjustable Handle

The adjustable handle **4** can be set in various positions:

- 1** To change the position undo the handle wing nut **3** and move the adjustable handle **4**.
- 2** Tighten the handle wing nut **3** securely to fix the adjustable handle **4** in the adjusted position.

F Adjusting Product Length

- 1** Loosen the adjustment collar **5** 90°.
- 2** Pull the shaft out to increase the height, or push the shaft in to decrease the height. Re-tighten adjustment collar **5**.

G Adjusting cutting head angle:

To change the angle depress the foot pedal **12** and move the shaft **6** to the desired position.

Release the foot pedal **12**.

Adjusting for Edging Mode

H Moving wheels (where fitted):

- 1** Loosen wingnut **18**.
- 2** Twist wheels **11** 90° as shown.
- 3** Tighten wingnut **18**.

I Adjusting cutting head angle:

- 1** Depress the foot pedal **12**.
- 2** Move the shaft **6** to the lowest position. Release the foot pedal **12**.

J Move trimmer head:

- 1** Loosen the adjustment collar **5**.
- 2** Turn the shaft **6** 90° to position the trimmer head **8** for trimming /edging as shown. Re-tighten adjustment collar **5**.

Cutting and Edging

- !** Remove stones, loose pieces of wood and other objects from the cutting area.

The blade continues to rotate for a few seconds after the trimmer is switched off. Allow the motor/blade to stop rotating before switching "on" again.

Do not rapidly switch off and on.

Switching On and Off

Press switch **1** and hold depressed. Release switch **1** for switching off.

K Cutting Grass

Move the trimmer left and right, keeping it well away from the body.

The trimmer can efficiently cut grass up to a height of 15 cm. Cut taller grass in stages.

Remove the wheels when cutting long grass (ART 26/2600 ACCUTRIM only).

L Trimming Edges

Guide the trimmer along the edge of the lawn. Do not allow the cutting line to contact paved surfaces, stones or garden walls, since this will wear the blade rapidly.

M For better control use the plant protector **9** (ART 26/2600 ACCUTRIM only – available as an accessory for ART 23/2300 ACCUTRIM) as a guide.

N Cutting Around Trees and Bushes

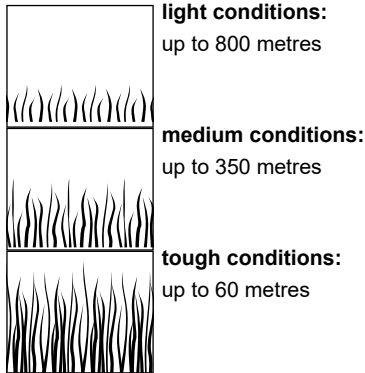
Carefully cut around trees and bushes so that they do not come into contact with the cutting line.

Plants can die if you damage the bark.

M For better control use adjustable handle **4** and use the plant protector **9** (ART 26/2600 ACCUTRIM only – available as an accessory for ART 23/2300 ACCUTRIM).

Battery duration

Battery duration is dependent on the working conditions:



Maintenance

! Before any work on the machine itself, remove battery from machine.

Note: To ensure long and reliable service, carry out the following maintenance regularly.

Regularly check for obvious defects such as loose fixings, and worn or damaged components.

Check that covers and guards are undamaged and correctly fitted. Carry out necessary maintenance or repairs before using.

If the trimmer should happen to fail despite the care taken in manufacture and testing, repair should be carried out by an authorized customer service agent for Bosch garden products.

For all correspondence and spare parts orders, always include the 10-digit part number (TYP) from the nameplate of the machine!

Blade Maintenance

! Before any work on the machine itself, remove battery from machine.

To remove the worn blade **22** push in direction of the arrow until it snaps off the pivot **21**.

Clean the pivot **21** of any residual plastic/debris with a sharp knife.

To refit the new blade **22** place the eyelet over the pivot **21** and pull outwards until it snaps into place.

Note: Only use Bosch replacement blades. They have been developed specially for improved cutting performance. The use of other cutter blades will lead to a deterioration in performance and possible damage to the product.

After Trimming/Storage

! Stop and remove battery from product. Ensure battery is removed before storage.

Clean the exterior of the machine thoroughly using a soft brush and cloth. Do not use water, solvents or polishes. Remove all grass and debris, especially from the ventilation slots **7**.

Turn the machine on its side and clean the cutting guard **10** inside. If grass cuttings are compacted, remove with a wooden or plastic implement.

Battery should be stored between 0 –45 °C; incorrect storage could result in the battery being damaged.

Fault Finding

The following table gives checks and actions that you can perform if your machine does not operate correctly. If these do not identify/remedy the problem, contact your service agent.

Warning: Switch off and remove battery before investigating fault.

Symptom	Possible Cause	Remedy
Can not fit Guard over cutting disc	Incorrect assembly	Remove cutting disc and fit guard, see also Product assembly
Machine fails to operate	Battery discharged	Recharge battery, see also Charging advice
Machine functions intermittently	Machines internal wiring damaged On/Off switch defective	Contact Service Agent Contact Service Agent
Excessive vibration/ noise	Machine fault Blade broken	Contact Service Agent Replace blade
Cutting time low on one battery charge	Battery not used for long period or initial usage Grass too high Battery worn out	Fully charge battery, see also charging advice Cut in stages Replace the battery
Blade will not move	Battery discharged Machine fault	Recharge battery, see also Charging advice Contact Service Agent
Machine is not cutting	Blade broken Battery not fully charged Grass entangled around cutting disc	Replace blade Recharge battery, see also Charging advice Remove grass
No charging procedure possible due to defective battery	The battery temperature is not within the allowable temperature range The contacts of the battery are contaminated The battery is defective, due to a disconnection in the battery (individual cells)	Get the battery temperature within the allowable temperature range (0 °C to 45 °C) either by cooling down or warming up. As soon as the battery temperature is within the allowable temperature range again, the battery charger automatically switches to rapid charging Clean the contacts (e. g. by inserting and removing the battery several times) or replace the battery, as required Replace the battery
The LED indicator 14 does not light up after plugging the mains plug into the socket and inserting the battery into the charging compartment 16	The charger plug is not inserted (properly) Socket, cable or charger are defective	Insert the plug (fully) into the socket Check the mains voltage and if necessary, have the battery charger checked by an authorized customer service station for Bosch power tools

Disposal

Power tools, accessories and packaging should be sorted for environmental-friendly recycling.

Only for EC countries:



Do not dispose of power tools into household waste!
According to the European Directive 2002/96/EC on waste electrical and electronic equipment and its incorporation into national law, products that are no longer suitable for use must be separately collected and sent for recovery in an environmentally-friendly manner.

After-Sales Service and Customer Assistance

Our after-sales service responds to your questions concerning maintenance and repair of your product as well as spare parts. Exploded views and information on spare parts can also be found under:

www.bosch-pt.com

Our customer consultants answer your questions concerning best buy, application and adjustment of products and accessories.

Great Britain

Robert Bosch Ltd. (B.S.C.)
P.O. Box 98
Broadwater Park
North Orbital Road
Denham
Uxbridge
UB 9 5HJ

Tel. Service: +44 (0844) 736 0109

Fax: +44 (0844) 736 0146

E-Mail: SPT-Technical.de@de.bosch.com

Ireland

Origo Ltd.
Unit 23 Magna Drive
Magna Business Park
City West
Dublin 24

Tel. Service: +353 (01) 4 66 67 00

Fax: +353 (01) 4 66 68 88

Australia, New Zealand and Pacific Islands

Robert Bosch Australia Pty.Ltd.
Power Tools
Locked Bag 66
Clayton South VIC 3169
Customer Contact Center

Inside Australia:

Phone: +61 (01300) 307 044

Fax: + 61 (01300) 307 045

Inside New Zealand:

Phone: +64 (0800) 543 353

Fax: +64 (0800) 428 570

Outside AU and NZ:

Phone: +61 (03) 9541 5555

www.bosch.com.au

Declaration of Conformity

Measured values determined according to 2000/14/EC (1.60 m height, 1 m distance away) and EN ISO 5349.

Typically the A-weighted noise levels of the product are: Sound pressure level 72 dB(A); Guaranteed sound power level lower than 93 dB(A). Uncertainty K = 3 dB.

The typical hand/arm vibration is below 2.5 m/s².

We declare under our sole responsibility that the product described under „Technical data“ is in conformity with the following standards or standardization documents: EN 60335 (battery powered product) and EN 60335 (battery charger) according to the provisions of the directives 2006/95/EC, 2004/108/EC, 98/37/EC (until 28 Dec 2009), 2006/42/EC (from 29 Dec 2009), 2000/14/EC. 2000/14/EC: Measured sound power level 88 dB(A).

Conformity assessment procedure according to Annex VI.

Notified body: SRL, Sudbury, England

Notified body identification number: 1088

Technical file at: Bosch Lawn and Garden Ltd., PT-LG/EAE, Stowmarket, Suffolk IP14 1EY, England

CE 08

Leinfelden, 01.01.2008

Dr. Egbert Schneider
Senior Vice President
Engineering

Dr. Eckerhard Strötgen
Head of Product
Certification

Robert Bosch GmbH, Power Tools Division

Subject to change without notice