

EMax32
EMax32s



Intended use

Your Black & Decker mower has been designed for mowing grass. This tool is intended for consumer use only.



Warning! Read all of the 'Safety, Maintenance, Service' manual carefully before operating this appliance.

Read all of this manual carefully before operating the appliance.

Features

This appliance includes some or all of the following features.

1. Switch box
2. On/off switch
3. Upper handle
4. Lower handle
5. Cable storage holders
6. EdgeMax
7. Grass collection box
8. Grass flap
9. Carry handles

Assembly

Warning! Before assembly, make sure that the appliance is switched off and unplugged.

Assembling the grass collection box (fig. A & B)

The grass box requires assembly before use and comes in 3 pieces.

- ◆ Clip the handle (10) into the lid (11) of the grass box (fig. A). The handle will only fit one way round.
- ◆ Align the lid (11) onto the base of grass collection box. Ensure that the 10 guides (12) are aligned (fig. B)

Note: Take extra care when aligning the 2 clips at the rear of the grass collection box.

- ◆ Push down on the lid to secure all clips. Begin at the back and ensure that all clips are securely located.

Fitting the switchbox (fig. C)

- ◆ Align the plastic pins (13) on the switchbox (1) with the holes on the handle (14) making sure that the switchbox is on the top edge of the handle.
- ◆ Slide the plastic pins (13) on the switchbox (1) all the way through the holes in the handle.
- ◆ Slide the plastic cover (15) into the thin runners in the switchbox (1).
- ◆ Secure the plastic cover (15) with the 2 screws provided.

Fitting the lower handle (fig. D)

- ◆ Insert the ends of the lower handles (4) into the corresponding holes in the mower.
- ◆ Press the handle down as far as it will go.
- ◆ Secure the handle using the screws (16).

Assembling the upper handle (fig. E)

- ◆ Fit the upper handle (3) to the lower handle (4) using the knobs (17), washers (18) and screws (19) as shown.

Note: The upper handle can be fixed in 2 different height positions.

Securing the motor cable (fig. F)

The motor cable has to be fixed using the cable restraints.

- ◆ Clip the cable to the upper and lower handle using the restraint clips (20) as shown.

Fitting the grass collection box (fig. L)

- ◆ Lift the flap (8) and place the grass collection box (7) over the lugs (21).

Cable restraint (fig. H)

- ◆ Loop the cable through the cable restraint to prevent the extension cable from becoming detached during use.

Replacing the blade (fig. K)

Warning! Ensure the blade has completely stopped and disconnect the appliance from the mains.

Warning! Only use the specified replacement blade.

Warning! Use heavy-duty gloves to grip the blade.

To remove the blade:

- ◆ Turn the appliance onto its side.
- ◆ Using heavy-duty gloves, grip the blade.
- ◆ Use a 13mm spanner to loosen and remove the blade bolt (22) by turning the spanner anti-clockwise (ac).
- ◆ Remove the blade (23) and blade bolt (22).

To replace the blade:

- ◆ Offer the blade up to bolt shaft and locate the blade bolt (22) into the bolt shaft.

Note: When fitting a blade, the text on the blade must be facing the user.

- ◆ Tighten the blade bolt (22) as firmly as possible by hand.
- ◆ Using heavy-duty gloves, grip the blade.
- ◆ Use a 13mm spanner to securely tighten the blade bolt (22) by turning the spanner clockwise (c).

Use

Warning! Let the appliance work at its own pace. Do not overload.

Adjusting the height of cut (fig. I)

Warning! Ensure the blade has completely stopped and disconnect the appliance from the mains.

The height of cut is adjusted by altering the height of all the wheels, there are 3 positions to choose from.

- ◆ Remove the grass collection box (7).
- ◆ Turn the lawnmower upside down.
- ◆ Take hold of a wheel (24) and push/pull the axle from its current location.

- ◆ Move the wheel (24) up/down into the next available location.

Note: Adjust one wheel at a time. Adjust one height position at a time.

Switching on and off (fig. G)

Switching on

- ◆ Push in and hold the lock-off button (25).
- ◆ Pull the on/off switch (2) towards the handle.
- ◆ Release the lock-off button.

Switching off

- ◆ Release the on/off switch (2).

Warning: Never attempt to lock a switch in the on position.

Mowing (fig. N1 & N2)

We recommend to use your mower as outlined in this section in order to achieve optimum results and to reduce the risk of cutting the mains cable.

- ◆ Place the bulk of the mains cable on the lawn, close to the starting point (position 1 in fig. N1).
- ◆ Switch the appliance on as described above.
- ◆ Proceed as shown in fig. N1
- ◆ Move from position 1 to position 2.
- ◆ Turn right and proceed towards position 3.
- ◆ Turn left and move towards position 4.
- ◆ Repeat the above procedure as required.

Warning: Do not work towards the cable as shown in fig. N2.

EdgeMax (fig. J1 & J2)

EdgeMax allows you to cut grass right up to the edge of a wall or fence (fig J1).

EdgeMax allows you to accurately cut grass right up to the edge of your lawn (fig J2).

- ◆ With the lawnmower parallel with the edge of your lawn.
- ◆ Push the lawnmower along the edge of the lawn. Ensure that the EdgeMax (6) is slightly over the edge of your lawn (fig.J2)

Emptying the grass collection box

- ◆ Release the on/off switch (2).
- ◆ Remove the grass collection box (7).
- ◆ Empty the contents from the the box.

Cable storage (fig. M) (EMax32S only)

Warning! The cable holders (5) provide a safe and convenient way to store the cable (26) when not in use..

- ◆ Wrap the cable around the cable holders (5) in a figure of eight pattern.

Carrying the mower

Warning! Ensure the blade has completely stopped and disconnect the appliance from the mains.

- ◆ The mower can be carried using the convenient carry handles (9).

Hints for optimum use

- ◆ If the grass is longer than approximately 10 cm, make two cuts to obtain a better finish. First mow at maximum height of cut, then use a low or medium height of cut.
- ◆ In order to achieve optimum results, only mow dry grass.

Troubleshooting

If your appliance seems not to operate properly, follow the instructions below. If this does not solve the problem, please contact your local Black & Decker repair agent.

Warning! Before proceeding, remove the plug from the socket.

Problem	Possible Cause	Possible solution
Machine fails to operate	Power turned off	Turn power on
	Fuse faulty/blown	Replace fuse
	Grass too long	Increase the height of cut and move machine to shorter grass to start
	Thermal cut out activated	Allow motor to cool and increase height of cut
Machine functions intermittently	Thermal cut out activated	Allow motor to cool and increase height of cut
Machine leaves ragged finish or motor labours	Height of cut too low	Increase height of cut
	Cutting blade blunt	Replace the blade
	Underside of machine clogged	Check underneath the machine and clear out as necessary (always wear heavy duty gloves)
	Blade fitted upside down	Refit blade correctly

Technical data

		EMax32 / EMax32s Type 3
Voltage	V _{AC}	230-240
Power Input	W	1200
No-Load Speed	min ⁻¹	3500
Height adjustment	mm	20 - 60
Blade length	mm	320
Weight	kg	7.4

Hand/arm weighted vibration value according to EN60335:
= < 2.5 m/s², uncertainty (K) = 1.5 m/s².

EC declaration of conformity

MACHINERY DIRECTIVE
OUTDOOR NOISE DIRECTIVE



EMax32 / EMax32s

Black & Decker declares that these products described under
"technical data" are in compliance with:
2006/42/EC, EN 60335-1, EN 60335-2-77

2000/14/EC, Lawn Mower, L < 50cm, Annex VI,
DEKRA Certification B.V., Utrechtseweg 310, ED Arnhem
Netherlands

Notified Body ID No.: 0344

Level of sound power according to 2000/14/EC

(Article 12, Annex III, L ≤ 50 cm):

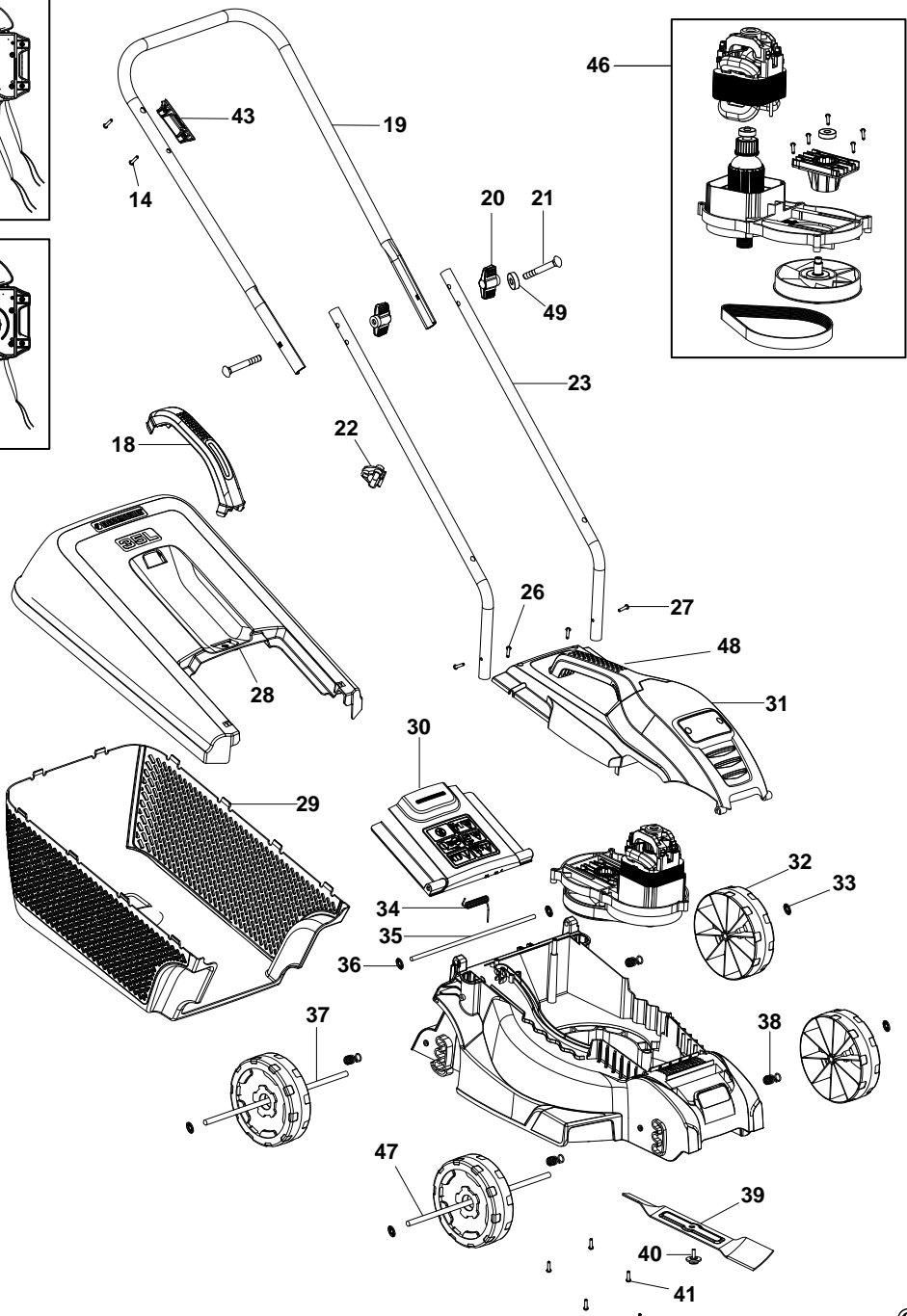
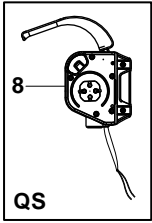
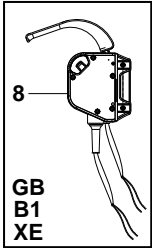
L_{WA} (measured sound power) 93 dB(A)
uncertainty (K) = 3 dB(A)

L_{WA} (guaranteed sound power) 96 dB(A)
uncertainty (K) = 3 dB(A)

These products also comply with directive
2004/108/EC and 2011/65/EU.

For more information, please contact Black & Decker at the
following address or refer to the back of the manual.
The undersigned is responsible for compilation of the technical
file and makes this declaration on behalf of Black & Decker.

Kevin Hewitt
Vice-President Global Engineering
Black & Decker Europe, 210 Bath Road, Slough,
Berkshire, SL1 3YD
United Kingdom
03/12/2012



ENGLISH

Do not forget to register your product!

www.blackanddecker.co.uk/productregistration

Register your product online at **www.blackanddecker.co.uk/productregistration** or send your name, surname and product code to Black & Decker in your country.

Australia

Black & Decker (Australia) Pty. Ltd.
20 Fletcher Road, Mooroolbark,
Victoria, 3138

Tel. 03-8720 5100
Fax 03-9727 5940

New Zealand

Black & Decker
5 Te Apunga Place
Mt Wellington
Auckland 1060

Tel. +64 9 259 1133
Fax +64 9 259 1122

United Kingdom

Black & Decker
210 Bath Road
Slough, Berkshire SL1 3YD

Tel. 01753 511234
Fax 01753 551155