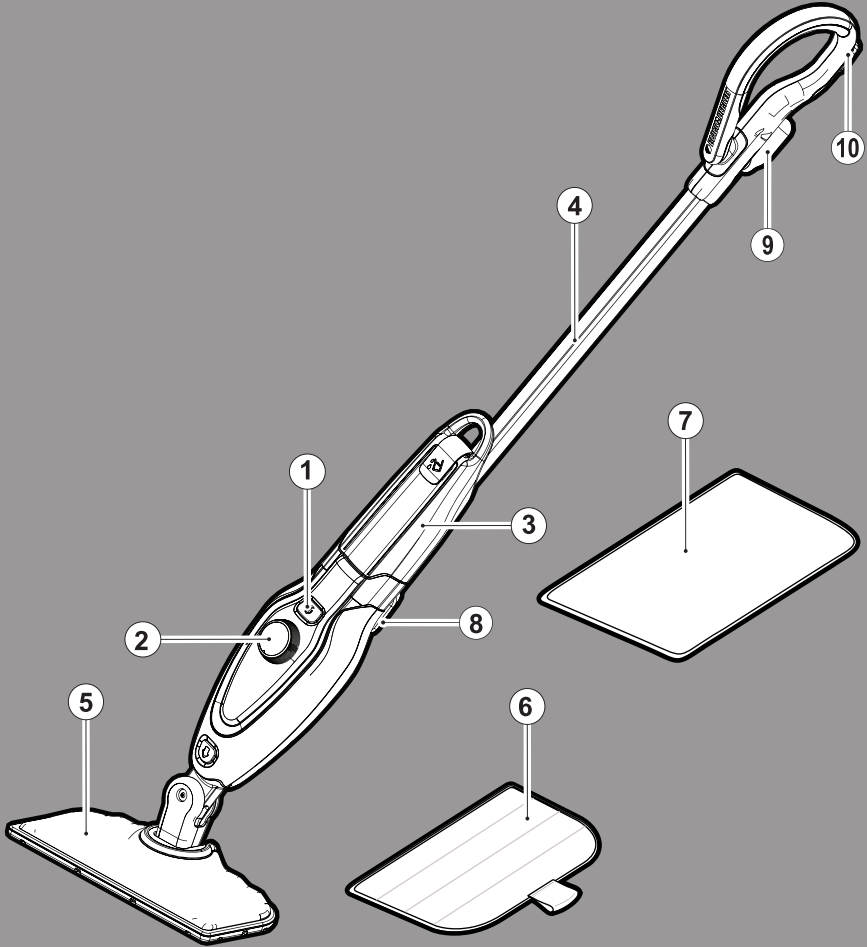


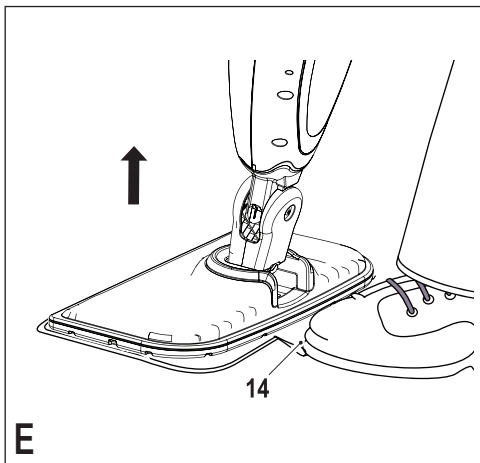
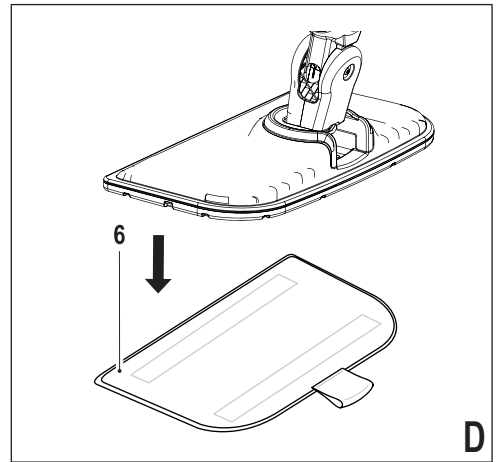
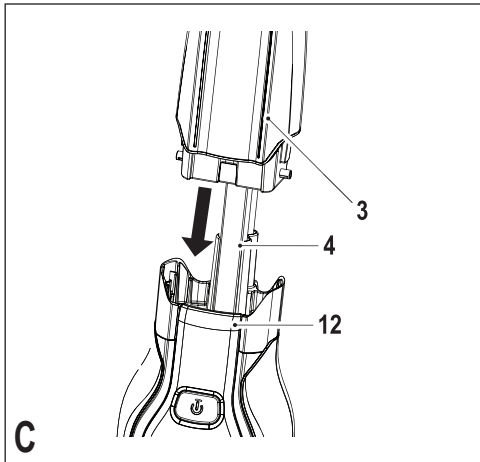
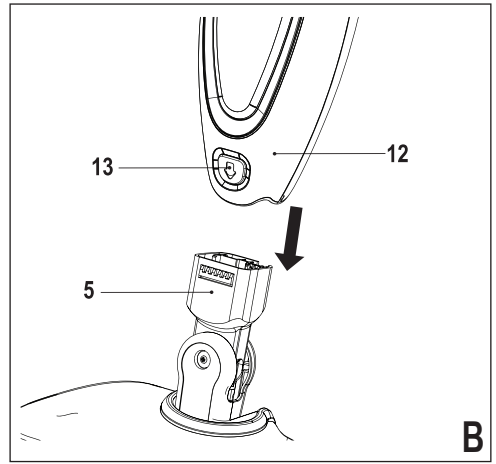
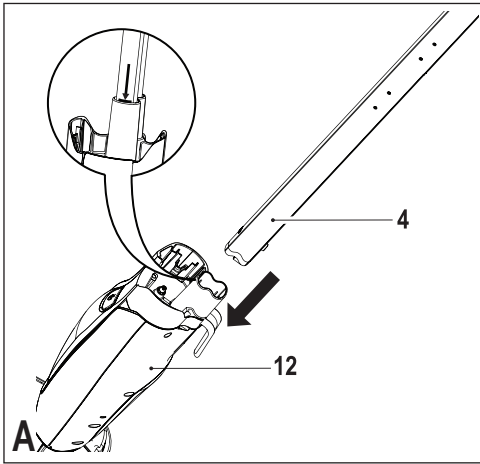


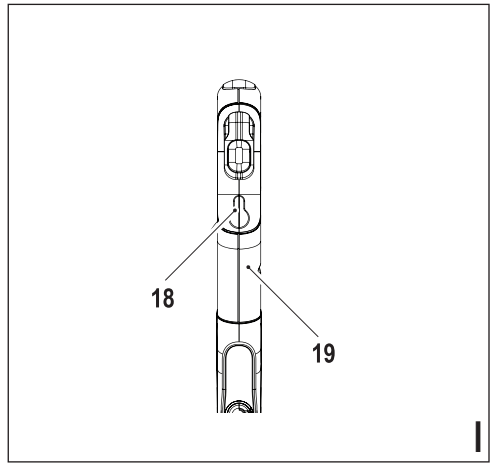
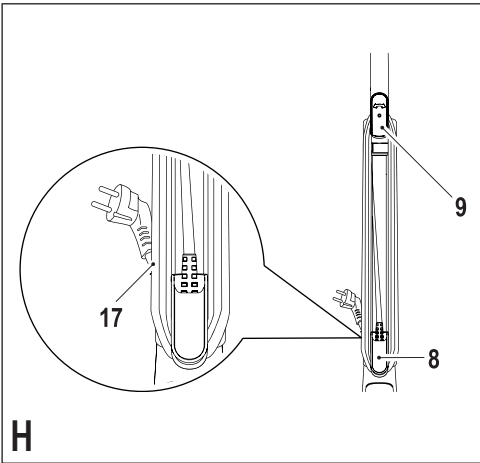
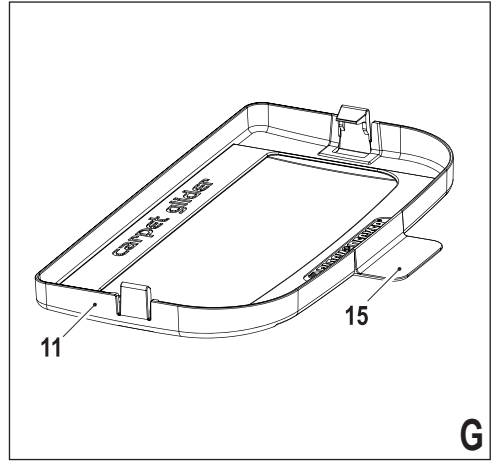
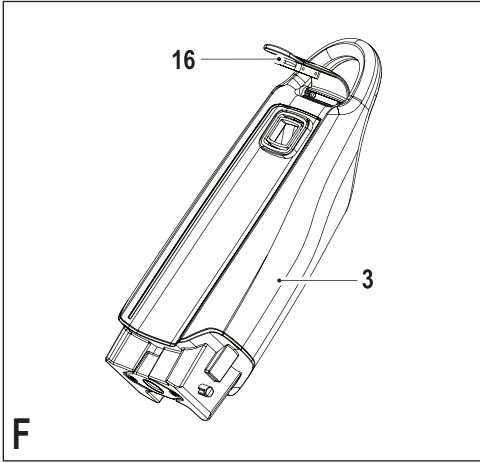
BLACK & DECKER®



www.blackanddecker.co.uk

FSM1610
FSM1620





Intended use

Your Black & Decker steam mop has been designed for sanitising and cleaning sealed hardwood, sealed laminate, linoleum, vinyl, ceramic tile, stone and marble floors and for refreshing carpets. This appliance is intended for indoor household use only.



Warning! Read all of the 'Safety, Maintenance, Service' manual carefully before operating this appliance.

Read all of this manual carefully before operating the appliance.

Features

This appliance includes some or all of the following features.

1. ON/Off switch
2. Autoselect™ dial
3. Removable water tank
4. Handle
5. Steam head
6. Steam head cleaning pad
7. Resting mat
8. Bottom cable tidy hook
9. Top cable tidy hook
10. Cable management clip

Assembly

Warning! Before attempting any of the following operations, make sure that the appliance is switched off and unplugged and that the appliance is cold and does not contain any water.

Attaching the handle (Fig. A)

- ◆ Slide the bottom end of the handle (4) into the top end of the steam mop body (12) until it clicks into place. The arrow on the handle (4) should be aligned with the top of the steam mop body (12).

Attaching the steam head (Fig. B)

- ◆ Slide the bottom end of the steam mop body (12) onto the steam head (5) until it clicks into place.
- ◆ The steam head can be removed from the Steam mop body by pressing the steam head release button (13) and pulling the steam mop body (12) off the steam head (5).

Attaching the water jug (Fig. C)

- ◆ Clip the water jug (3) onto the handle (4).
- ◆ Slide the water jug (3) down into the Steam mop body (12), ensure that the water jug is firmly seated.

Attaching a cleaning pad (Fig. D)

Replacement cleaning pads are available from your Black & Decker dealer:- (cat. no. FSMP20-XJ).

- ◆ Place a cleaning pad (6) on the floor with the 'hook & loop' side facing up.
- ◆ Lightly press the steam mop down onto the cleaning pad (6).

Caution! Always place your steam mop on the resting mat (7) with the handle (4) in the upright position when stationary and make sure the steam mop is turned off when not in use.

Removing a cleaning pad (Fig. E)

Caution! Always wear suitable shoes when changing the cleaning pad on your steam mop. Do not wear slippers or open toed footwear.

- ◆ Return the handle (4) to the upright position and turn the steam mop 'OFF'.
- ◆ Place the steam mop on the resting mat and wait until it cools down. (approximately five minutes)
- ◆ Place the front of your shoe onto the cleaning pad removal tab (14) and press down firmly.
- ◆ Lift the steam mop up off the cleaning pad.

Caution! Always place the steam mop on the resting mat (7) with the handle (4) in the upright position when stationary and make sure the steam mop is turned off when not in use.

Filling the water tank (Fig. F)

The water tank on your steam mop is removable for convenient and easy filling.

This Steam Mop incorporates an anti-calc system to help prolong the life of the system.

Note: Fill the water tank with clean tap water.

Note: In areas of very hard water, the use of de-ionised water is recommended.

- ◆ Remove the water tank (3).
- ◆ Open the filler cap (16) by lifting it up.
- ◆ Fill the water tank (3) with water.

Warning! Your water tank has a 460 ml capacity. Do not over fill the tank.

- ◆ Re-fit the filler cap (16).
- ◆ Re-fit the water tank (3).

Note: Ensure the filler cap is firmly secured.

Note: Do not use chemical cleaners with your steam mop..

Attaching the carpet glider (Fig. G) (FSM1620 Only)

- ◆ Place carpet glider on the floor.
- ◆ Attach a cleaning pad to the unit.
- ◆ Lightly press the steam mop down onto the carpet glider (11) until it clicks into place.

Caution! Always place the steam mop on the resting mat (7) with the handle (4) in the upright position when stationary and make sure the steam mop is turned off when not in use.

Removing the carpet glider (Fig. G) (FSM1620 Only)

Caution! Always wear suitable shoes when changing the carpet glider on your steam mop. Do not wear slippers or open toed footwear.

- ◆ Return the handle (4) to the upright position and turn the steam mop 'OFF'.
- ◆ Place the steam mop on the resting mat and wait until it cools down. (approximately five minutes)
- ◆ Place the front of your shoe onto the carpet glider removal tab (15) and press down firmly.
- ◆ Lift the steam mop up off the carpet glider (11).

Caution! Always place the steam mop on the resting mat (7) with the handle (4) in the upright position when stationary and make sure the steam mop is turned off when not in use.

Use

Important! This unit will kill 99.9% of bacteria & germs when used in accordance with this manual and with the micro fibre pad fitted and a continuous run time of 90 seconds.

Switching on and off

- ◆ To switch the appliance on, press the ON/OFF button (1). It takes approximately 15 seconds for the steam mop to heat up.

Note: When the steam mop is first turned on the water reservoir will glow red. Once the steam mop is ready to use the water reservoir will glow blue.

- ◆ To switch the appliance off, press the ON/OFF button (1).

Caution! Never leave the steam mop in one spot on any surface for any period of time. Always place the steam mop on the resting mat (7) with the handle (4) in the upright position when stationary and make sure the steam mop is turned off when not in use.

Caution! Always empty the steam mop after use.

Note: When first filled or after running dry it can take up to 45 seconds for steam to be produced.

Autoselect™ Technology

This steam mop is fitted with an Autoselect™ dial (2) which shows various cleaning applications. They are used to select the correct operating mode for your particular cleaning operation.

Using the Autoselect™ dial (2), choose from one of the following applications:

	Wood/Laminate
	Stone/Marble
	Tiles/Vinyl

The steam mop will select the correct volume of steam required for your particular cleaning operation.

Note: Always check you are using the correct setting before using your steam mop.

Hints for optimum use

General

Caution! Never use the steam mop without first attaching a cleaning pad.

- ◆ During use you can use the cable management clip (10) to keep your cable out of the way of the work area..
- ◆ Always vacuum or sweep the floor before using the steam mop.
- ◆ The easiest way to use the machine is to tilt the handle to a 45° angle and clean slowly, covering a small area at a time.
- ◆ Do not use chemical cleaners with your steam mop. To remove stubborn stains from vinyl or linoleum floors, you can pre-treat with a mild detergent and some water before using the steam mop.

Steam cleaning

- ◆ Place a cleaning pad (6) on the floor with the 'hook & loop' side facing up.
- ◆ Raise the steam mop off the resting mat (7) and lightly press it down onto the cleaning pad (6).
- ◆ Place the steam mop on the resting mat.
- ◆ Connect the steam mop to the mains.
- ◆ Turn the Autoselect™ dial (2) to the required setting.
- ◆ Press the ON/OFF button (1). It takes approximately 15 seconds for the steam mop to heat up.
- ◆ Pulling the handle (4) back will activate the steam pump. After a few seconds steam will start to come out of the steam head.

Note: When first filled or after running dry it can take up to 45 seconds for steam to be produced.

- ◆ It takes a few seconds for steam to enter the cleaning pad. The steam mop will now glide easily over the surface to be sanitised/cleaned.
- ◆ Push and pull the steam mop slowly across the floor to thoroughly steam clean each section.

Note: During use you may turn off the steam pump by returning the handle to the upright position, this convenient feature will allow you to place the steam mop on the resting mat for a short time so that you may move items of furniture, then continue cleaning without the need to switch the appliance off.

- ◆ When you have finished using the steam mop, return the handle (4) to the upright position and turn it 'OFF', place it on the resting mat (7) and wait until the steam mop cools down. (approximately five minutes)

Caution! It is important to monitor the water level in the water tank. To refill the water tank and continue to sanitise/clean, return the handle (4) to the upright position and turn the steam mop 'OFF'. Unplug the unit from the electrical wall outlet, remove and refill the water tank (3).

Caution! Never leave the steam mop in one spot on any surface for any period of time. Always place the steam mop on the resting mat (7) with the handle (4) in the upright position when stationary and make sure the steam mop is turned off when not in use.

Carpet refreshing (FSM1620 only)

- ◆ Place a cleaning pad (6) on the floor with the 'hook & loop' side facing up.
- ◆ Raise the steam mop off the resting mat (7) and lightly press it down onto the cleaning pad (6).
- ◆ Place the carpet glider (11) on the floor.
- ◆ Lightly press the steam mop down onto the carpet glider (11) until it clicks into place.
- ◆ Place the steam mop on the resting mat. (7)
- ◆ Connect the steam mop to the mains.
- ◆ Press the ON/OFF button (1). It takes approximately 15 seconds for the steam mop to heat up.
- ◆ Turn the Autoselect™ dial (2) to the Wood/Laminate setting.
- ◆ Pulling the handle (4) back will activate the steam pump. After a few seconds steam will start to come out of the steam head.

Note: When first filled or after running dry it can take up to 45 seconds for steam to be produced.

- ◆ Push and pull the steam mop slowly across the carpet to thoroughly refresh each section.

Note: During use you may turn off the steam pump by returning the handle (4) to the upright position, this convenient feature will allow you to place the steam mop on the resting mat (7) so that you may move items of furniture with out the need to switch the appliance off.

- ◆ When you have finished using the steam mop, return the handle (4) to the upright position and turn it 'OFF', place it on the resting mat (7) and wait until the steam mop cools down. (approximately five minutes)

Caution! It is important to monitor the water level in the water tank. To refill the water tank and continue to sanitise/clean, return the handle (4) to the upright position and turn the steam mop 'OFF'. Unplug the unit from the electrical wall outlet, remove and refill the water tank (3).

Caution! Never leave the steam mop in one spot on any surface for any period of time. Always place the steam mop on the resting mat (7) with the handle (4) in the upright position when stationary and make sure the steam mop is turned off when not in use.

After use (Fig. H & I)

- ◆ Return the handle (4) to the upright position and turn the steam mop 'OFF',
- ◆ Place the steam mop on the resting mat (7) and wait until the steam mop cools down. (approximately five minutes)
- ◆ Unplug the steam mop from the electrical wall outlet.
- ◆ Empty the water tank (3).
- ◆ Remove the cleaning pad (6) and wash it ready for next use. (Take care to follow the wash care instructions printed on the cleaning pad).
- ◆ Wrap the supply cable around the cable tidy hooks (8 & 9).

Note: The top cable tidy hook (9) rotates to easily release the cable ready for next use.

- ◆ Clip the supply cable onto itself using the cable tidy clip (17) close to the plug.
- ◆ Place steam mop on the resting mat (7) for storage.

Note: With the handle (4) in the upright position, the cable neatly wrapped around the cable tidy hooks (8 & 9) and secured with the cable tidy clip (17) your steam mop will stand on its own for storage. Alternatively there is a hanging bracket (18) built into the hand grip (19) which will allow your steam mop to be hung from a suitable hook on the wall. Always ensure that your wall hook is capable of supporting the weight of the steam mop safely.

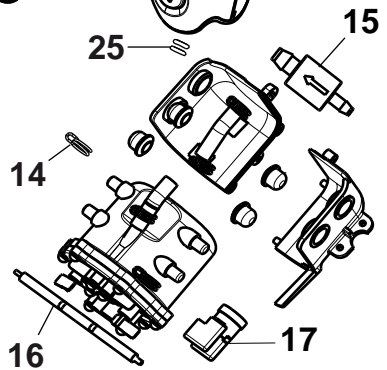
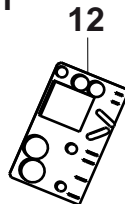
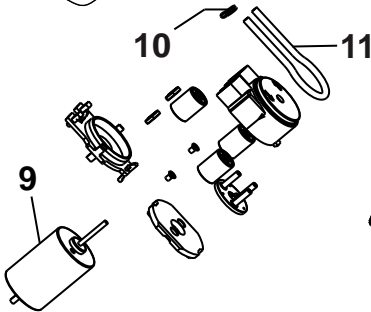
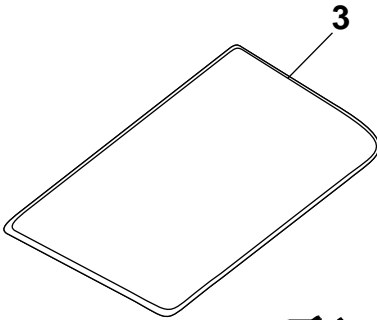
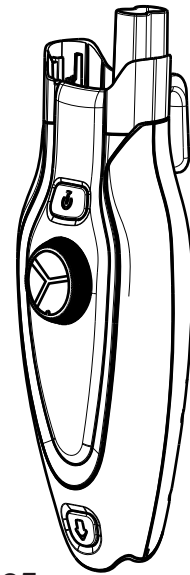
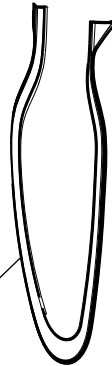
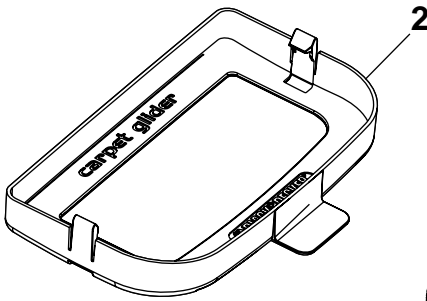
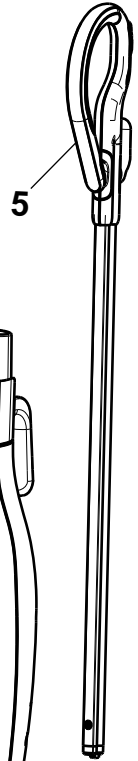
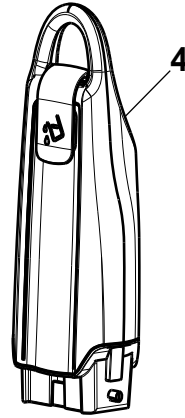
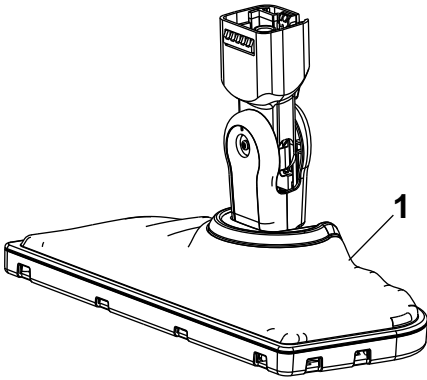
Technical data

		FSM1610 (Type 1)	FSM1620 (Type 1)
Voltage	V _{ac}	230	230
Power	W	1600	1600
Tank capacity	ml	460	460
Weight	kg	2.7	3.06

Troubleshooting

If your appliance seems not to operate properly, follow the instructions below. If this does not solve the problem, please contact your local Black & Decker repair agent.

Problem	Step	Possible solutions
The steam mop is not turning on.	1	Check the unit is plugged in at the wall socket.
	2	Check the unit is switched on using the on/off switch (1).
	3	Check the fuse in the plug.
The steam mop is not producing steam.	4	The steam mop will only produce steam once the handle is pulled back from the upright position.
	5	Check that the water tank (3) is full and correctly fitted. NOTE: When first filled or after running dry it can take up to 45 seconds for steam to be produced.
	6	Check that the Steam head (5) is firmly docked into the steam mop body (12).
	7	Check steps 1, then 2 then 3.
The steam mop stops producing steam during use.	8	Check steps 4, then 5, then 6 and then 3.
The steam mop is producing too much steam during use.	9	The steam mop has 3 settings. Turn the autoselect dial (2) to increase the amount of steam being produced.
The steam mop is producing too little steam during use.	10	Check step 5.
	11	The steam mop has 3 settings. Turn the autoselect dial (2) to reduce the amount of steam being produced.
Steam is escaping from unexpected areas of the unit.	12	Refer to the assembly chapter of the manual for correct fitting instructions of all parts and accessories.
Where can I get further information / accessories for my steam mop.	13	www.blackanddecker.co.uk/steammop www.blackanddecker.ie/steammop



ENGLISH

Do not forget to register your product!

www.blackanddecker.co.uk/productregistration

Register your product online at **www.blackanddecker.co.uk/productregistration** or send your name, surname and product code to Black & Decker in your country.

Australia

Black & Decker (Australia) Pty. Ltd.
20 Fletcher Road, Mooroolbark,
Victoria, 3138

Tel. 03-8720 5100
Fax 03-9727 5940

New Zealand

Black & Decker
5 Te Apunga Place
Mt Wellington
Auckland 1060

Tel. +64 9 259 1133
Fax +64 9 259 1122

United Kingdom

Black & Decker
210 Bath Road
Slough, Berkshire SL1 3YD

Tel. 01753 511234
Fax 01753 551155