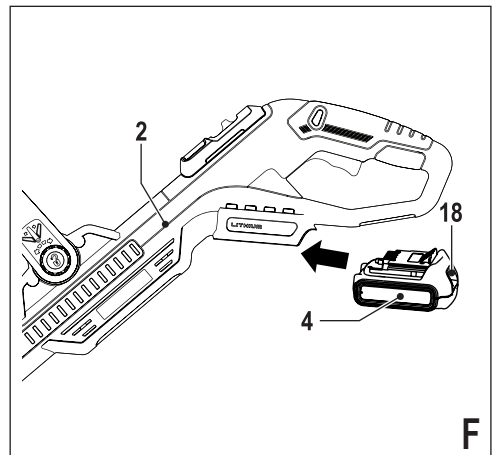
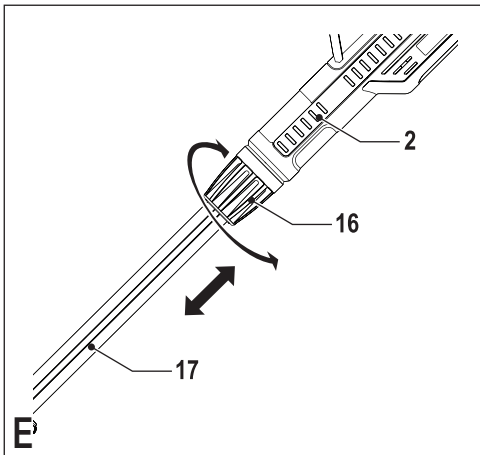
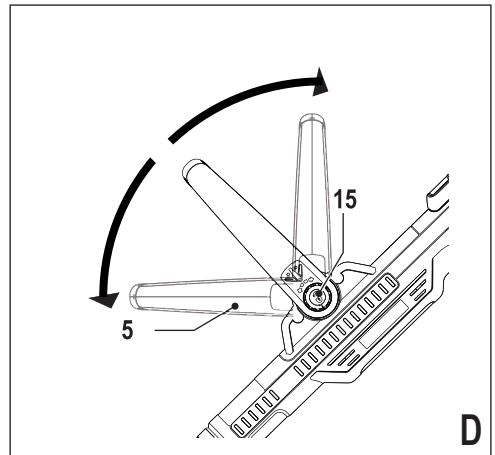
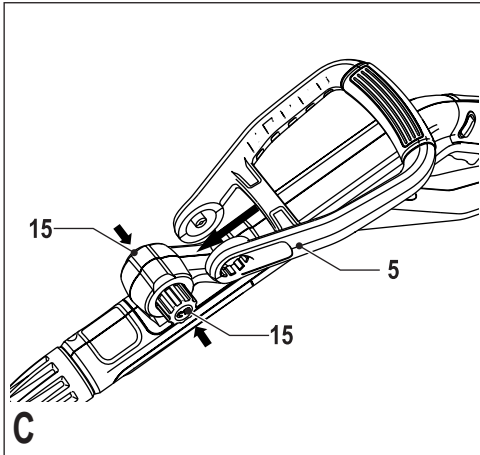
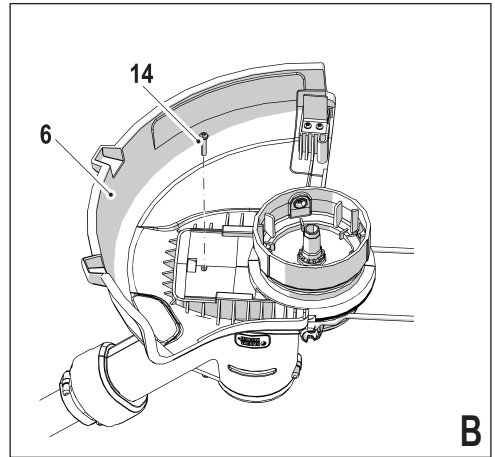
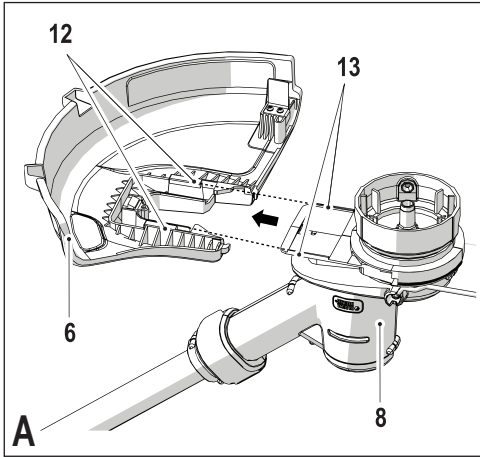
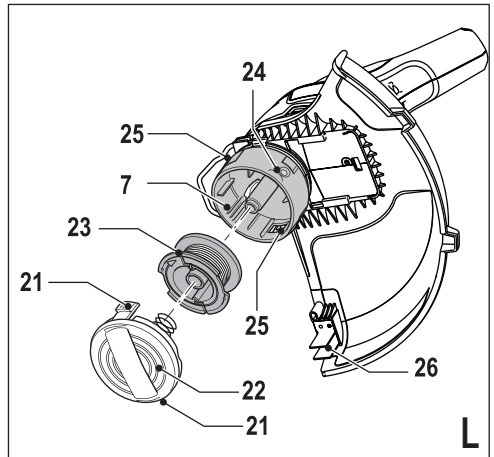
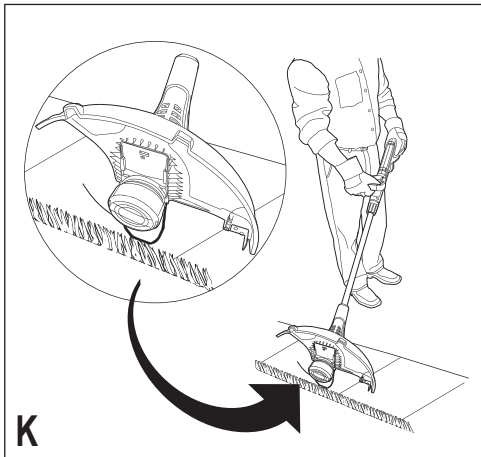
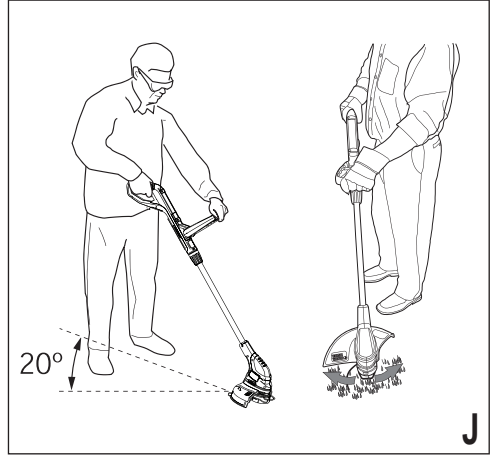
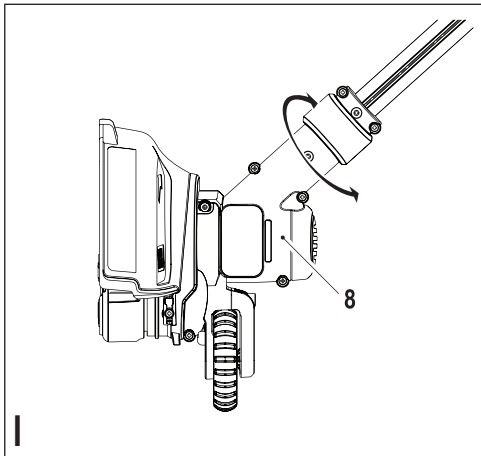
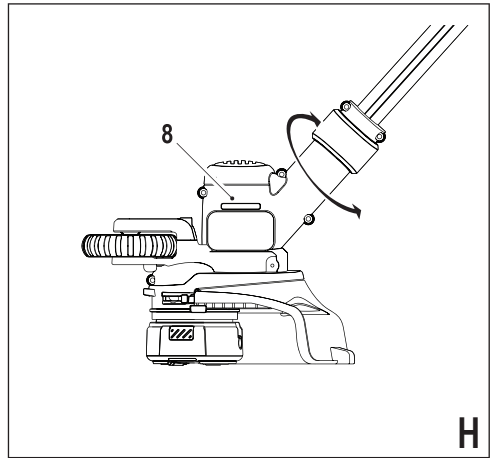
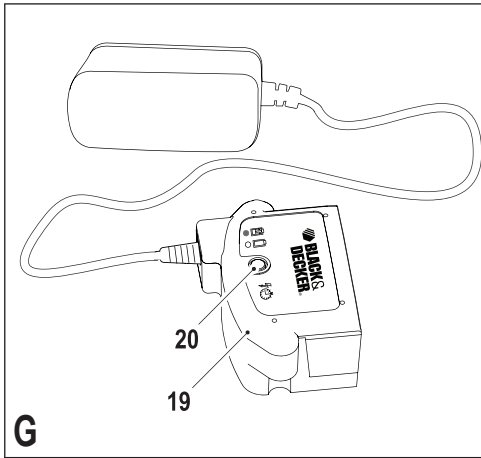
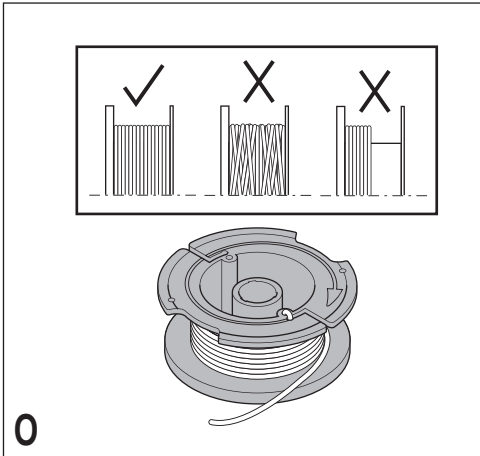
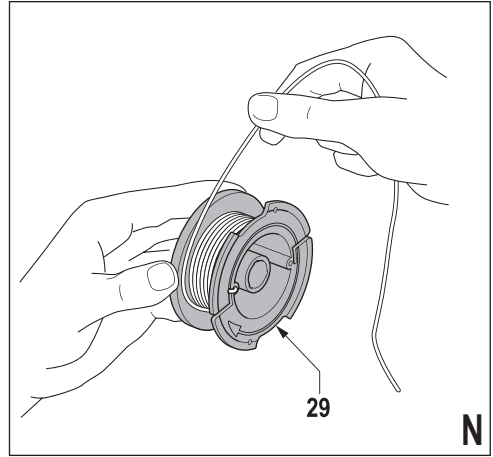
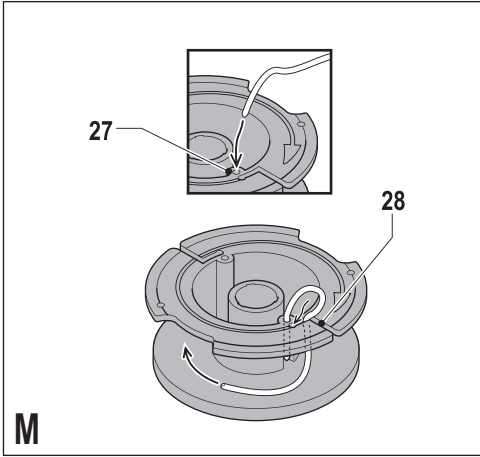


STC1815
STC1820
STC1820D







Intended use

Your Black & Decker trimmer has been designed for trimming and finishing lawn edges and to cut grass in confined spaces. This appliance is intended for consumer use only.

Safety instructions

Warning! When using mains-powered appliances, basic safety precautions, including the following, should always be followed to reduce the risk of fire, electric shock, personal injury and material damage.

Warning! When using the machine the safety rules must be followed. For your own safety and bystanders please read these instructions before operating the machine. Please keep the instructions safe for later use.

- Read all of this manual carefully before operating the appliance.
- The intended use is described in this manual. The use of any accessory or attachment or the performance of any operation with this appliance other than those recommended in this instruction manual may present a risk of personal injury.
- Retain this manual for future reference.

Using your appliance

Always take care when using the appliance.

- Always use safety glasses or goggles.
- Never allow children or people unfamiliar with the instructions to use the appliance.

- Do not allow children or animals to come near the work area or to touch the appliance or power supply cord.
- Close supervision is necessary when the appliance is used near children.
- This appliance is not intended for use by young or infirm persons without supervision.
- This appliance is not to be used as a toy.
- Only use the appliance in daylight or good artificial light.
- Use in a dry location only. Do not allow the appliance to become wet.
- Do not immerse the appliance in water.
- Do not open the body casing. There are not user-serviceable parts inside.
- Do not operate the appliance in explosive atmospheres, such as in the presence of flammable liquids, gases or dust.
- To reduce the risk of damage to plugs or cords, never pull the cable to remove the plug from a socket.

Safety of others

- This appliance is not intended for use by persons (including children) with reduced physical, sensory or mental capabilities, or lack of experience and knowledge, unless they have been given supervision or instruction concerning use of the appliance by a person responsible for their safety.
- Children must be supervised to ensure that they do not play with the appliance.

Residual risks.

Additional residual risks may arise when using the tool which may not be included in the enclosed safety warnings. These risks can arise from misuse, prolonged use etc.

Even with the application of the relevant safety regulations and the implementation of safety devices, certain residual risks can not be avoided. These include:

- ◆ Injuries caused by touching any rotating/moving parts.
- ◆ Injuries caused when changing any parts, blades or accessories.
- ◆ Injuries caused by prolonged use of a tool. When using any tool for prolonged periods ensure you take regular breaks.
- ◆ Impairment of hearing.
- ◆ Health hazards caused by breathing dust developed when using your tool (example:- working with wood, especially oak, beech and MDF.)

After use

- ◆ When not in use, the appliance should be stored in a dry, well ventilated place out of reach of children.
- ◆ Children should not have access to stored appliances.
- ◆ When the appliance is stored or transported in a vehicle it should be placed in the boot or restrained to prevent movement following sudden changes in speed or direction.

Inspection and repairs

- ◆ Before use, check the appliance for damaged or defective parts. Check for breakage of parts and any other conditions that may affect its operation.
- ◆ Do not use the appliance if any part is damaged or defective.
- ◆ Have any damaged or defective parts repaired or replaced by an authorised repair agent.
- ◆ Never attempt to remove or replace any parts other than those specified in this manual.

Additional safety instructions for grass trimmers

Warning! Cutting elements continue to rotate after the motor is switched off.

- ◆ Be familiar with the controls and the proper use of the appliance.
- ◆ Before use, check the power supply cord and extension cord for signs of damage, ageing and wear. If a cord becomes damaged during use, disconnect the cord from the mains supply immediately. **DO NOT TOUCH THE CORD BEFORE DISCONNECTING THE SUPPLY.**
- ◆ Do not use the appliance if the cords are damaged or worn.
- ◆ Wear stout shoes or boots to protect your feet.
- ◆ Wear long trousers to protect your legs.
- ◆ Before using the appliance, check that your cutting path is free from sticks, stones, wire and any other obstacles.

- ◆ Only use the appliance in the upright position, with the cutting line near the ground. Never switch the appliance on in any other position.
- ◆ Move slowly when using the appliance. Be aware that freshly cut grass is damp and slippery.
- ◆ Do not work on steep slopes. Work across the face of slopes, not up and down.
- ◆ Never cross gravel paths or roads while the appliance is running.
- ◆ Never touch the cutting line while the appliance is running.
- ◆ Do not put the appliance down until the cutting line has come to a complete standstill.
- ◆ Use only the appropriate type of cutting line. Never use metal cutting line or fishing line.
- ◆ Be careful not to touch the line trimming blade.
- ◆ Take care to keep the mains cable away from the cutting line. Always be aware of the position of the cable.
- ◆ Keep hands and feet away from the cutting line at all times, especially when switching on the motor.
- ◆ Before using the appliance and after any impact, check for signs of wear or damage and repair as necessary.
- ◆ Never operate the appliance with damaged guards or without guards in place.
- ◆ Take care against injury from any device fitted for trimming the filament line length. After extending new cutter line always return the machine to its normal operating position before switching on.
- ◆ Always ensure that the ventilation slots are kept clear of debris.
- ◆ Do not use the lawn trimmer (edge trimmer), if the cords are damaged or worn.
- ◆ Keep extension cords away from cutting elements.

Additional safety instructions for batteries and chargers

Batteries

- ◆ Never attempt to open for any reason.
- ◆ Do not expose the battery to water.
- ◆ Do not store in locations where the temperature may exceed 40 °C.
- ◆ Charge only at ambient temperatures between 10 °C and 40 °C.
- ◆ Charge only using the charger provided with the tool.
- ◆ When disposing of batteries, follow the instructions given in the section "Protecting the environment".

Chargers

- ◆ Use your Black & Decker charger only to charge the battery in the tool with which it was supplied. Other batteries could burst, causing personal injury and damage.

- ◆ Never attempt to charge non-rechargeable batteries.
- ◆ Have defective cords replaced immediately.
- ◆ Do not expose the charger to water.
- ◆ Do not open the charger.
- ◆ Do not probe the charger.



The charger is intended for indoor use only.



Read the instruction manual before use.

Electrical safety



Your charger is double insulated; therefore no earth wire is required. Always check that the mains voltage corresponds to the voltage on the rating plate. Never attempt to replace the charger unit with a regular mains plug.

- ◆ If the supply cord is damaged, it must be replaced by the manufacturer or an authorised Black & Decker Service Centre in order to avoid a hazard.

Labels on appliance

The following warning symbols are found on the appliance:



Read the manual prior to operation.



Wear safety glasses or goggles when operating this appliance.



Wear suitable ear protectors when operating this appliance.



Always remove the plug from the socket before inspecting a damaged cable. Be careful not to use your strimmer if the cable is damaged.



Beware of flying objects. Keep bystanders away from the cutting area.



Do not expose the appliance to rain or high humidity.



Directive 2000/14/EC guaranteed sound power.

Features

This appliance includes some or all of the following features.

1. On/off switch
2. Handle
3. Lock off button
4. Battery
5. Second handle
6. Guard
7. Spool housing
8. Head
9. Power select (STC1820 Only)
10. Edge wheel (STC1820 & STC1820D Only)
11. Edge guide (STC1815 Only)

Assembly

Warning! Before assembly, make sure that the tool is switched off and the battery has been removed.

Fitting the guard (fig. A & B)

- ◆ Remove the screw from the guard.
- ◆ Keeping the guard (6) square to the strimmer head (8) slide it into place until the retaining tab clicks into place (Ensure that the guide rails (12) on the guard (6) are correctly aligned with the guide rails (13) on the strimmer head (8).
- ◆ Secure the guard (6) with the screw (14).

Warning! Never use the tool unless the guard is properly fitted.

Attaching the second handle (fig. C)

- ◆ Press in and hold both of the buttons (15) on the side of the handle.
- ◆ Slide the second handle (5) in place over the buttons (15).

Warning! Ensure that the teeth on the button are correctly aligned in slots in the handle and that the handle is secure.

Adjusting the position of the secondary handle (fig. D)

The second handle (5) can be adjusted to provide optimum balance and comfort.

- ◆ Press in the button (15) on the left side of the handle.
- ◆ Rotate the second handle (5) into the required position.
- ◆ Release the button (15).

Warning! Ensure that the teeth on the button are correctly aligned in slots in the handle and that the handle is secure.

Adjusting the height of the tool (fig. E)

This tool has a telescopic mechanism, allowing you to set it to a comfortable height. There are multiple height settings.

To adjust the height setting, proceed as follows:

- ◆ Loosen the adjustment collar (16) by turning it clockwise.
- ◆ Gently pull the tube (17) in or out of the handle (2) to the desired height.
- ◆ Tighten the adjustment collar (16) by turning anti-clockwise.

Releasing the cutting line

In transit, the cutting line is taped to the spool housing.

Warning! Before assembly, remove the battery from the tool.

- ◆ Remove the tape holding the cutting line to the spool housing (7).

Fitting and removing the battery (fig. F)

- ◆ To fit the battery (4), line it up with the receptacle on the tool. Slide the battery into the receptacle and push until the battery snaps into place.
- ◆ To remove the battery, push the release button (18) while at the same time pulling the battery out of the receptacle.

Use

Warning! Let the tool work at its own pace. Do not overload.

Charging the battery (fig. G)

The battery needs to be charged before first use and whenever it fails to produce sufficient power on jobs that were easily done before. The battery may become warm while charging; this is normal and does not indicate a problem.

Warning! Do not charge the battery at ambient temperatures below 10 °C or above 40 °C. Recommended charging temperature: approx. 24 °C.

Note: The charger will not charge a battery if the cell temperature is below approximately 10 °C or above 40 °C. The battery should be left in the charger and the charger will begin to charge automatically when the cell temperature warms up or cools down.

- ◆ To charge the battery (4), insert it into the charger (19). The battery will only fit into the charger in one way. Do not force. Be sure that the battery is fully seated in the charger.
- ◆ Plug in the charger and switch on at the mains.

The charging indicator (20) will flash green continuously (slowly).

The charge is complete when the charging indicator (20)

lights green continuously. The charger and the battery can be left connected indefinitely with the LED illuminated. The LED will change to flashing green (charging) state as the charger occasionally tops up the battery charge. The charging indicator (20) will be lit as long as the battery is connected to the plugged-in charger.

- ◆ Charge discharged batteries within 1 week. Battery life will be greatly diminished if stored in a discharged state.

Leaving the battery in the charger

The charger and battery pack can be left connected with the LED glowing indefinitely. The charger will keep the battery pack fresh and fully charged.

Charger diagnostics

If the charger detects a weak or damaged battery, the charging indicator (20) will flash red at a fast rate. Proceed as follows:

- ◆ Re-insert the battery (4).
- ◆ If the charging indicators continues flashing red at a fast rate, use a different battery to determine if the charging process works properly.
- ◆ If the replaced battery charges correctly, the original battery is defective and should be returned to a service centre for recycling.
- ◆ If the new battery gives the same indication as the original battery, take the charger to be tested at an authorised services centre.

Note: It may take as long as 30 minutes to determine that the battery is defective. If the battery is too hot or too cold, the LED will alternately blink red, fast and slow, one flash at each speed and repeat.

Setting the tool to trimming or edging mode (fig. H, I, J & K)

The tool can be used in trimming mode as shown in fig. H or in edging mode to trim overhanging grass along lawn edges and flower beds as shown in fig. I.

Trimming mode (fig. E, H & J)

For trimming, the trimmer head should be in the position shown in fig. J. If it is not:

- ◆ Remove the battery from the tool.
 - ◆ Loosen the adjustment collar (16) by turning it clockwise.
 - ◆ Whilst holding the handle (2), rotate the head (8) clockwise.
 - ◆ Tighten the collar (16) by turning it anti-clockwise.
- Note:** Note: The head will only rotate in one direction.

Edging mode (fig. E, I & K)

For edging, the trimmer head should be in the position shown in fig. K. If it is not:

- ◆ Remove the battery from the tool.
- ◆ Loosen the adjustment collar (16) by turning it clockwise.
- ◆ Whilst holding the handle (2), rotate the head (8) anti-clockwise.
- ◆ Tighten the collar (16) by turning it anti-clockwise.

Note: The head will only rotate in one direction.

Switching on and off

- ◆ To switch the tool on, press in and hold the lock off button (3) then squeeze the trigger lever (1). Once the tool is running you may release the lock off button (3).
- ◆ To switch the tool off, release the trigger lever.

Warning! Never attempt to lock the trigger lever in the on position.

Power select (STC1820 Only)

The power select feature (9) is located on the tool handle. It allows you to optimize the tools performance and boost the power as needed.

- ◆ Operate in "ECO" mode for most trimming needs. (Longer runtime will be achieved.)
- ◆ Switch to "TURBO" mode as required when tall, damp or thick conditions are present.

Hints for optimum use

General

- ◆ In order to achieve optimum cutting results, only cut dry grass.

Trimming

- ◆ Hold the tool as shown in fig. J
- ◆ Gently swing the trimmer from side to side.
- ◆ When cutting long grass, work in stages from the top. Take small cuts.
- ◆ Keep the tool away from hard objects and delicate plants.
- ◆ Cutting line will wear faster and require more feeding if the cutting is done along pavements or other abrasive surfaces or heavier weeds are being cut.
- ◆ If the tool starts running slowly, reduce the load.

Edging

Optimum cutting results are achieved on edges deeper than 50 mm.

- ◆ Do not use the tool to create edges. To create edges, use an edging spade.
- ◆ Guide the tool on its wheel (10) or edge guide (11) as shown in fig. K.
- ◆ To make a closer cut, slightly tilt the tool.

Fitting a new spool of cutting line (fig. L)

Replacement spools of cutting line are available from your Black & Decker dealer (cat. no. A6481).

- ◆ Remove the battery from the tool.
- ◆ Keep the tabs (21) depressed and remove the spool cover (22) from the spool housing (7).
- ◆ Remove the empty spool (23) from the spool housing.
- ◆ Remove any dirt and grass from the spool cover and housing.
- ◆ Take the new spool and push it onto the boss in the spool housing. Rotate the spool slightly until it is seated.
- ◆ Unclip the end of the cutting line and guide the line into the eyelet (24). The line should protrude approx. 11 cm from the spool Housing.

- ◆ Align the tabs (21) on the spool cover with the cut outs (25) in the spool housing.
- ◆ Push the cover onto the spool housing until it snaps securely into place.

Warning! If the cutting lines protrude beyond the trimming blade (26), cut them off so that they just reach the blade.

Winding new line onto an empty spool (fig. M, N & O)

You may wind new cutting line onto an empty spool.

Replacement packs of cutting line are available from your Black & Decker dealer (cat. no. A6170 (25 m), A6171 (40 m)).

- ◆ Remove the empty spool from the tool as described above.
- ◆ Remove any remaining cutting line from the spool.
- ◆ Feed 2 cm of cutting line into the hole (27) in the spool as shown (fig. M).
- ◆ Bend the cutting line and anchor it in the L-shaped slot (28).
- ◆ Wind the cutting line onto the spool in the direction of the arrow. Make sure to wind the line on neatly and in layers. Do not criss-cross (fig. O).
- ◆ When the wound cutting line reaches the recesses (29), cut the line. Let the line protrude approx. 11 cm from the spool and hold a finger on the line to keep it in place (fig. N).
- ◆ Proceed as described above to fit the spool on the tool.

Warning! Only use the appropriate type of Black & Decker cutting line.

Troubleshooting

If your tool seems not to operate properly, follow the instructions below. If this does not solve the problem, please contact your local Black & Decker repair agent.

Warning! Before proceeding, remove the battery from the tool.

Appliance runs slowly

- ◆ Check that the spool housing can rotate freely. Carefully clean it if necessary.
- ◆ Check that the cutting line does not protrude more than 11 cm from the spool housing. If it does, cut it off so that it just reaches the line trimming blade.

Automatic line feed does not work

- ◆ Keep the tabs depressed and remove the spool cover from the housing.
- ◆ Pull the cutting line until it protrudes 11 cm from the housing. If insufficient cutting line is left on the spool, install a new spool of cutting line as instructed above.
- ◆ Align the tabs on the spool cover with the cut outs in the housing.
- ◆ Push the cover onto the housing until it snaps securely into place.
- ◆ If the cutting line protrudes beyond the trimming blade, cut it off so that it just reaches the blade.

If the automatic line feed still does not work or the spool is jammed, try the following suggestions:

- ◆ Carefully clean the spool cover and housing.
- ◆ Remove the spool and check if the lever can move freely.
- ◆ Remove the spool and unwind the cutting line, then wind it on neatly again as described above. Replace the spool as instructed.

Maintenance

Your Black & Decker corded/cordless appliance/tool has been designed to operate over a long period of time with a minimum of maintenance. Continuous satisfactory operation depends upon proper tool/appliance care and regular cleaning. Your charger does not require any maintenance apart from regular cleaning.

Warning! Before performing any maintenance on corded/cordless power tools:

- ◆ Switch off and unplug the appliance/tool.
- ◆ Or switch off and remove the battery from the appliance/tool if the appliance/tool has a separate battery pack.
- ◆ Or run the battery down completely if it is integral and then switch off.
- ◆ Unplug the charger before cleaning it. Your charger does not require any maintenance apart from regular cleaning.
- ◆ Regularly clean the ventilation slots in your tool/appliance and charger using a soft brush or dry cloth.
- ◆ Regularly clean the motor housing using a damp cloth. Do not use any abrasive or solvent-based cleaner.
- ◆ Regularly clean the cutting line and spool using a soft brush or dry cloth.
- ◆ Regularly use a blunt scraper to remove grass and dirt from the underneath of the guard.

Protecting the environment



Separate collection. This product must not be disposed of with normal household waste.

Should you find one day that your Black & Decker product needs replacement, or if it is of no further use to you, do not dispose of it with household waste. Make this product available for separate collection.



Separate collection of used products and packaging allows materials to be recycled and used again. Re-use of recycled materials helps prevent environmental pollution and reduces the demand for raw materials.

Local regulations may provide for separate collection of electrical products from the household, at municipal waste sites or by the retailer when you purchase a new product.

Black & Decker provides a facility for the collection and recycling of Black & Decker products once they have reached the end of their working life. To take advantage of this service please return your product to any authorised repair agent who will collect them on our behalf.

You can check the location of your nearest authorised repair agent by contacting your local Black & Decker office at the address indicated in this manual. Alternatively, a list of authorised Black & Decker repair agents and full details of our after-sales service and contacts are available on the Internet at: www.2helpU.com

Batteries



At the end of their useful life, discard batteries with due care for our environment:

- ◆ Run the battery down completely, then remove it from the tool.
- ◆ NiCd, NiMH and Li-Ion batteries are recyclable. Place the battery(s) in a suitable packaging to ensure that the terminals cannot be short-circuited. Take them to any authorised repair agent or a local recycling station.
- ◆ Do not short-circuit the battery terminals.
- ◆ Do not dispose of the battery(s) in a fire as this may result in a risk of personal injury or an Explosion.

Technical data

		STC1815 STC1820D H 1	STC1820 H 1
Input Voltage	V _{ac}	18	18
No-Load Speed	min ⁻¹	6200	5500-7400
Weight	kg	2,6	2,6

Battery		BL1118	BL1318	BL1518	BL2018	BL4018
Voltage	V _{ac}	18	18	18	18	18
Capacity	Ah	1.0	1.3	1.5	2.0	4.0
Type		Li-Ion	Li-Ion	Li-Ion	Li-Ion	Li-Ion

Charger		905902** (typ. 1)
Input Voltage	V _{ac}	100 - 240
Output Voltage	V _{oc}	8 - 20
Current	mA	400

Hand/arm weighted vibration value according to EN 786:

= 9.0 m/s, uncertainty (K) = 1.5 m/s.

L_w (sound pressure) 76 dB(A)

uncertainty (K) = 1.6 dB(A)

EC declaration of conformity

**MACHINERY DIRECTIVE
OUTDOOR NOISE DIRECTIVE**



STC1815/STC1820/STC1820D

Black & Decker declares that these products described under "technical data" are in compliance with:
2006/42/EC, EN 60335-1, EN 60335-2-91

2000/14/EC, Lawn Trimmer, L ≤ 50 cm, Annex VIII
DEKRA Certification B.V., Utrechtseweg 310,
6802 ED Arnhem, The Netherlands
Notified Body ID No.: 0344

Level of acoustic power according to 2000/14/EC
(Article 12, Annex III, L ≤ 50 cm):
L_{max} (measured sound power) 90 dB(A)
uncertainty (K) = 1.6 dB(A)
L_{min} (guaranteed sound power) 92 dB(A)

These products also comply with Directive 2004/108/EC and
2011/65/EU.

For more information, please contact Black & Decker at the
following address or refer to the back of the manual.

The undersigned is responsible for compilation of the technical
file and makes this declaration on behalf of Black & Decker.

Kevin Hewitt
Vice-President Global Engineering
Black & Decker Europe, 210 Bath Road, Slough,
Berkshire, SL1 3YD
United Kingdom
05/11/2013

Guarantee

Black & Decker is confident of the quality of its products and offers an outstanding guarantee. This guarantee statement is in addition to and in no way prejudices your statutory rights. The guarantee is valid within the territories of the Member States of the European Union and the European Free Trade Area.

If a Black & Decker product becomes defective due to faulty materials, workmanship or lack of conformity, within 24 months from the date of purchase, Black & Decker guarantees to replace defective parts, repair products subjected to fair wear and tear or replace such products to ensure minimum inconvenience to the customer unless:

- ◆ The product has been used for trade, professional or hire purposes;
- ◆ The product has been subjected to misuse or neglect;
- ◆ The product has sustained damage through foreign objects, substances or accidents;
- ◆ Repairs have been attempted by persons other than authorised repair agents or Black & Decker service staff.

To claim on the guarantee, you will need to submit proof of purchase to the seller or an authorised repair agent. You can check the location of your nearest authorised repair agent by contacting your local Black & Decker office at the address indicated in this manual. Alternatively, a list of authorised Black & Decker repair agents and full details of our after-sales service and contacts are available on the Internet at: www.2helpU.com

Please visit our website www.blackanddecker.co.uk to register your new Black & Decker product and to be kept up to date on new products and special offers. Further information on the Black & Decker brand and our range of products is available at www.blackanddecker.co.uk

Do not forget to register your product!

www.blackanddecker.co.uk/productregistration Register your product online at www.blackanddecker.co.uk/product-registration or send your name, surname and product code to Black & Decker in your country.

Australia

Black & Decker (Australia) Pty. Ltd.
20 Fletcher Road, Mooroolbark,
Victoria, 3138

Tel. 03-8720 5100
Fax 03-9727 5940

New Zealand

Black & Decker
5 Te Apunga Place
Mt Wellington
Auckland 1060

Tel. +64 9 259 1133
Fax +64 9 259 1122

United Kingdom

Black & Decker
210 Bath Road
Slough, Berkshire SL1 3YD

Tel. 01753 511234
Fax 01753 551155