

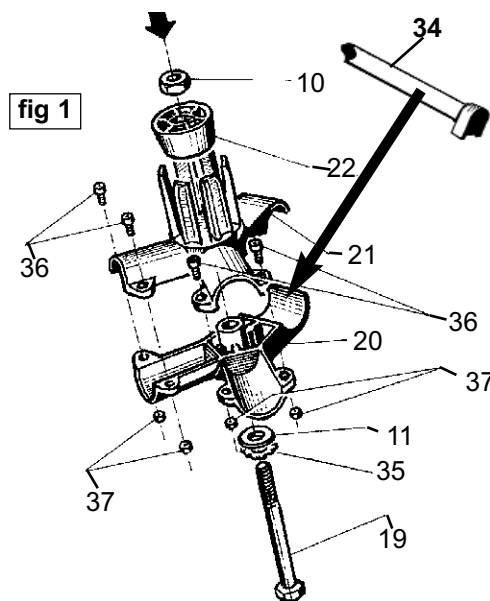
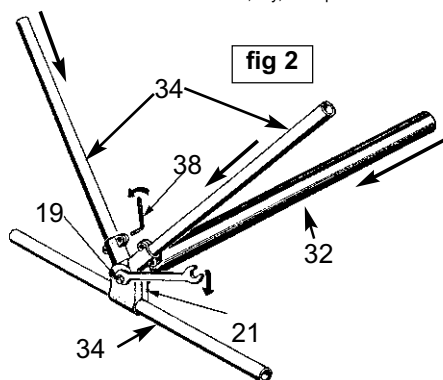
Thank you for purchasing a Sealey product. Manufactured to a high standard this product will give you years of trouble free performance if these instructions are carefully followed and the product is correctly maintained.



**IMPORTANT: PLEASE READ THESE INSTRUCTIONS CAREFULLY. NOTE THE SAFE OPERATIONAL REQUIREMENTS, WARNINGS AND CAUTIONS. USE THIS PRODUCT CORRECTLY AND WITH CARE FOR THE PURPOSE FOR WHICH IT IS INTENDED. FAILURE TO DO SO MAY CAUSE DAMAGE OR PERSONAL INJURY, AND WILL INVALIDATE THE WARRANTY. PLEASE RETAIN THESE INSTRUCTIONS FOR FUTURE USE.**

### 1. SAFETY INSTRUCTIONS

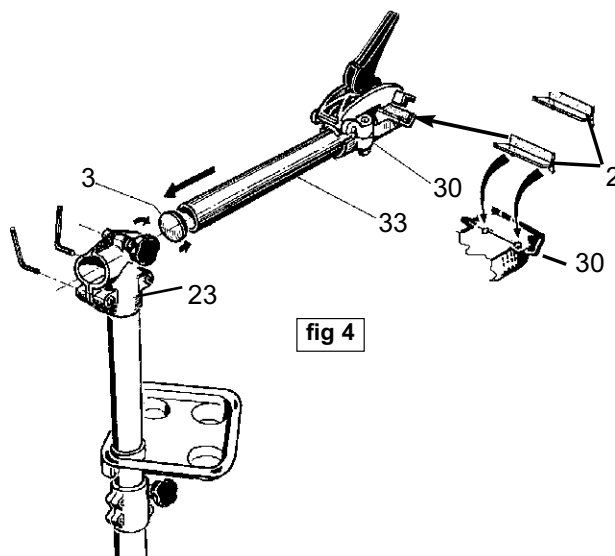
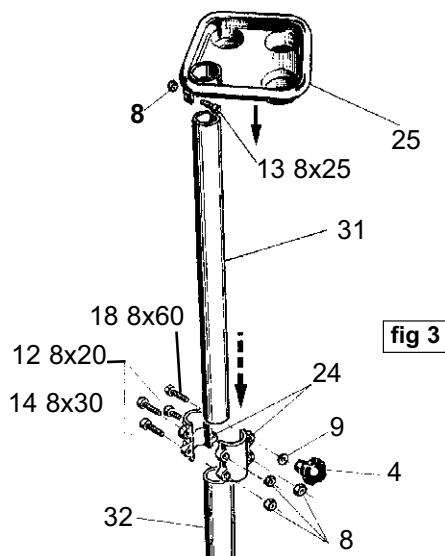
- ✓ Maintain the stand in good condition. Replace or repair damaged parts. *Use recommended parts only. Non authorised parts may be dangerous and will invalidate the warranty.*
- ✓ Before use ensure that all stand nuts and bolts are tight and that moveable and clamping parts are in good working order.
- ✓ Place stand on a sound level surface offering adequate working clearance for its function. Keep area clean, tidy and free from unrelated materials. Ensure there is adequate lighting.
- ✓ When mounted ensure the bicycle centre of gravity is between the stand legs.
- ✓ Remove ill fitting clothing. Remove ties, watches, rings, and other loose jewellery, and contain long hair.
- ✓ Maintain correct balance and footing. Ensure the floor is not slippery and wear non slip shoes.
- ✓ Keep children and unauthorised persons away from the working area.
- x DO NOT exceed the stand's maximum holding capacity of 18kg.
- x DO NOT use the stand for any purpose other than for which it is designed.
- x DO NOT get the stand wet or use in damp or wet locations or areas where there is condensation.
- ✓ When not in use store the stand in a safe, dry, child proof area.



### 2. ASSEMBLY INSTRUCTIONS

Unpack the product and check contents against the parts list in these instructions. Should there be any damaged or missing parts contact your supplier immediately. When all is satisfactory assemble the stand as follows. Please refer each assembly item to the relevant diagram figure.

- Fig1. Insert one foot tube into the rear of base clamp (20). Place together upper base clamp (21) and lower base clamp (20) and insert bolt (19) from below ensuring the flat washer (11) and locking washer (35) are in the correct order.  
Insert aluminium cone (22) and fit nut (10) do not tighten at this stage. Insert hex bolts (36) from upper side and loosely fit the nuts (37).
- Fig2. Insert the remaining two foot tubes (34) into the base unit (20) (21) to the maximum depth and tighten the hex bolts (36). Then fit lower post tube (32) to upper base clamp (21) ensuring it is pushed as far as it will go and tighten bolt (19).
- Fig3. Bolt the clamp (24) to the lower post tube (32) using hex bolts (12) in the lower two holes and hex bolt (14) in one of the upper holes, in the remaining hole insert hex bolt (18) and place washer (9) and screw on locking wheel (4) onto the end. Insert upper post tube (31) into clamp (24) and lower post tube (32) to the required height and tighten the locking wheel (4).
- Fig4. Fit the parts tray (25) by sliding it over the upper post tube (31) to the required height and clamp it in place by using hex bolt (13) and nut (8).
- Fig4. Attach the T-clamp (23) with bearing arm (33) and jaws (30) to the upper post tube (31) and secure with the lower hex bolts (12) and nuts (8). In the remaining hole insert hex bolt (18) and then fit washer (9) and locking wheel (4). Apply the two rubber grip strips (2) onto the jaws (30).



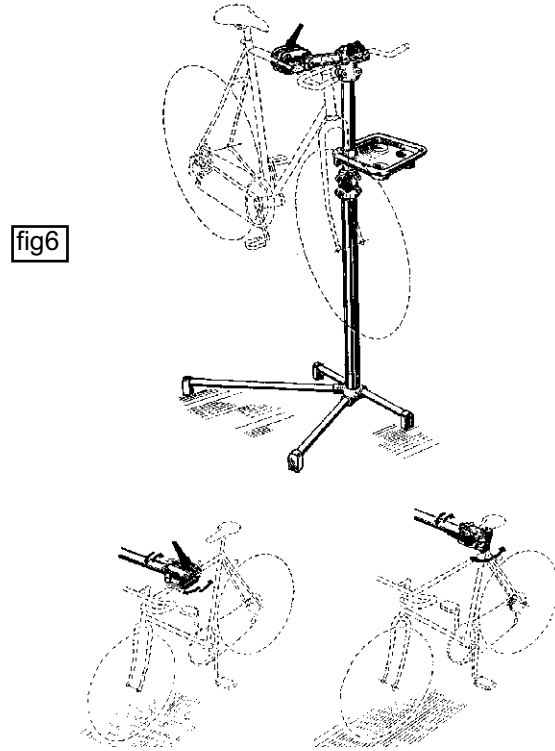
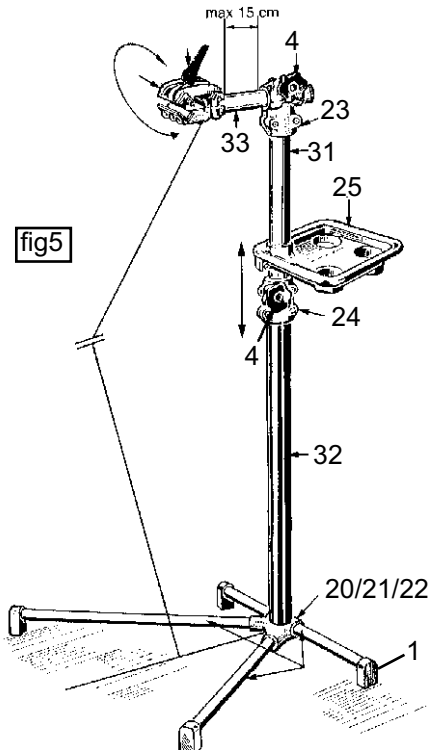
**NOTE:** It is our policy to continually improve products and as such we reserve the right to alter data, specifications and component parts without prior notice.

**IMPORTANT:** No responsibility is accepted for incorrect use of this product. **WARRANTY:** Guarantee is 12 months from purchase date. Proof of purchase will be required for any claim.

**INFORMATION:** Please call us for a copy of our latest catalogue

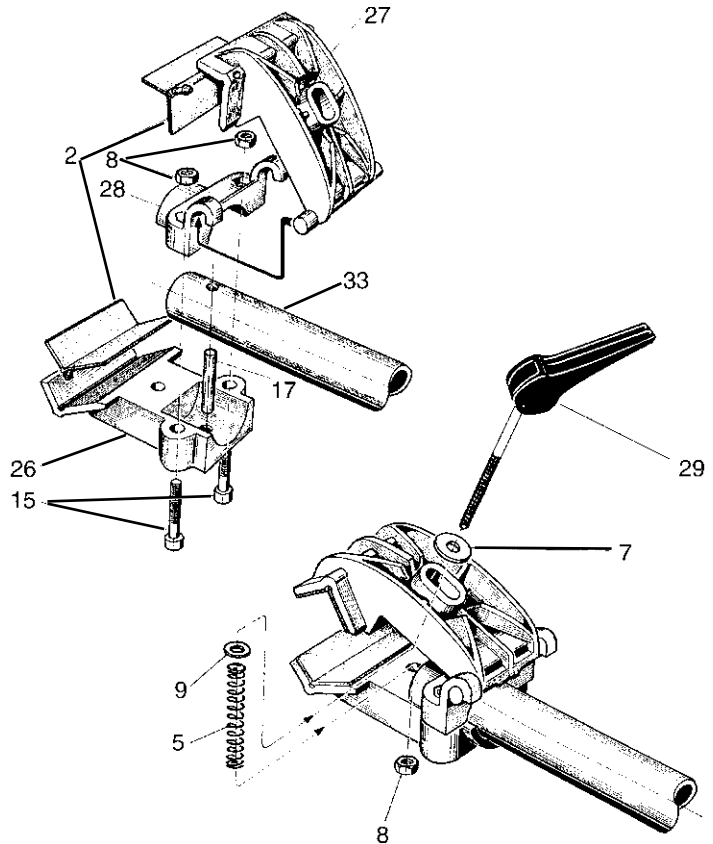
### 3. USING THE STAND

- 3.1. Adjust arm (33) about tube (31) so that it bisects the angle between the stand feet (34) (see alignment in figure 5).
- 3.2. To change angle of the bicycle jaws (30) loosen T-clamp (4) locking wheel, rotate tube (33) and jaws to required angle and re-tighten locking wheel.
- 3.3. To adjust working height loosen post clamp (24) locking wheel (4) and raise or lower the upper post tube (31). Re-position tools/parts tray accordingly.
- 3.4. To adjust the jaws to accommodate a bicycle frame tube of up to a maximum diameter of 35mm, tighten the lever (29) until the jaws fit loosely around the bicycles frame by turning the lever (29) clockwise and then lift the lever (29) through 180 degrees taking care that any brake cables etc are not squeezed by the clamp, and ensuring that the bicycle is firmly secured. When the frame is bigger than 35mm or is an awkward shape, you may rotate the clamp (30) and attach it to the seat column (figure 6).
- 3.5. **IMPORTANT:** ensure the centre of gravity is maintained approximately midway between the stand legs and check stability of stand/bicycle assembly **before** starting work.



### 4. PARTS LIST

ITEM	PART No.	DESCRIPTION
1	BS1.V2-01	Plastic plug
2	BS1.V2-02	Protection for clamp (pair)
3	BS1.V2-03	Plastic hole cover
4	BS1.V2-04	Locking handle
5	BS1.V2-05	Spring
6	BS1.V2-06	Allen key
7	BS1.V2-07	Washer
8	BS1.V2-08	Nut
9	BS1.V2-09	Washer
10	BS1.V2-10	Nut
11	BS1.V2-11	washer
12	BS1.V2-12	Screw
13	BS1.V2-13	Screw
14	BS1.V2-14	Screw
15	BS1.V2-15	Screw
17	BS1.V2-17	Pin
18	BS1.V2-18	Screw
19	BS1.V2-19	Screw
20	BS1.V2-20	Aluminium lower base
21	BS1.V2-21	Aluminium upper base
22	BS1.V2-22	Aluminium cone
23	BS1.V2-23	Aluminium clamp
24	BS1.V2-24	Aluminium clamp
25	BS1.V2-25	Basin
26	BS1.V2-26	Clamp with lower jaws
27	BS1.V2-27	Clamp with upper jaws
28	BS1.V2-28	Upper jaws clamp
29	BS1.V2-29	Lever
30	BS1.V2-30	Complete jaws
31	BS1.V2-31	45x785 Tube
32	BS1.V2-32	50x785 Tube
33	BS1.V2-33	45x250 Tube
34	BS1.V2-34	Tube
35	BS1.V2-35	Washer
36	BS1.V2-36	Screw
37	BS1.V2-37	Nut
38	BS1.V2-38	Allen Key
40	BS1.V2-40	Box
41	BS1.V2-41	Instruction leaflet
42	BS1.V2-42	Set of screws



**NOTE:** It is our policy to continually improve products and as such we reserve the right to alter data, specifications and component parts without prior notice.

**IMPORTANT:** No responsibility is accepted for incorrect use of this product. **WARRANTY:** Guarantee is 12 months from purchase date. Proof of purchase will be required for any claim.

**INFORMATION:** Please call us for a copy of our latest catalogue

**SEALEY POWER PRODUCTS** Sole UK Distributor  
Sealey Group,  
Bury St. Edmunds, Suffolk.

01284 757500  
01284 703534

[www.sealey.co.uk](http://www.sealey.co.uk)  
[sales@sealey.co.uk](mailto:sales@sealey.co.uk)