

WEU

WEU



Robert Bosch GmbH
Power Tools Division
70745 Leinfelden-Echterdingen
Germany

www.bosch-pt.com

1 619 929 J69 (2011.08) T / 45 WEU



1 619 929 J69

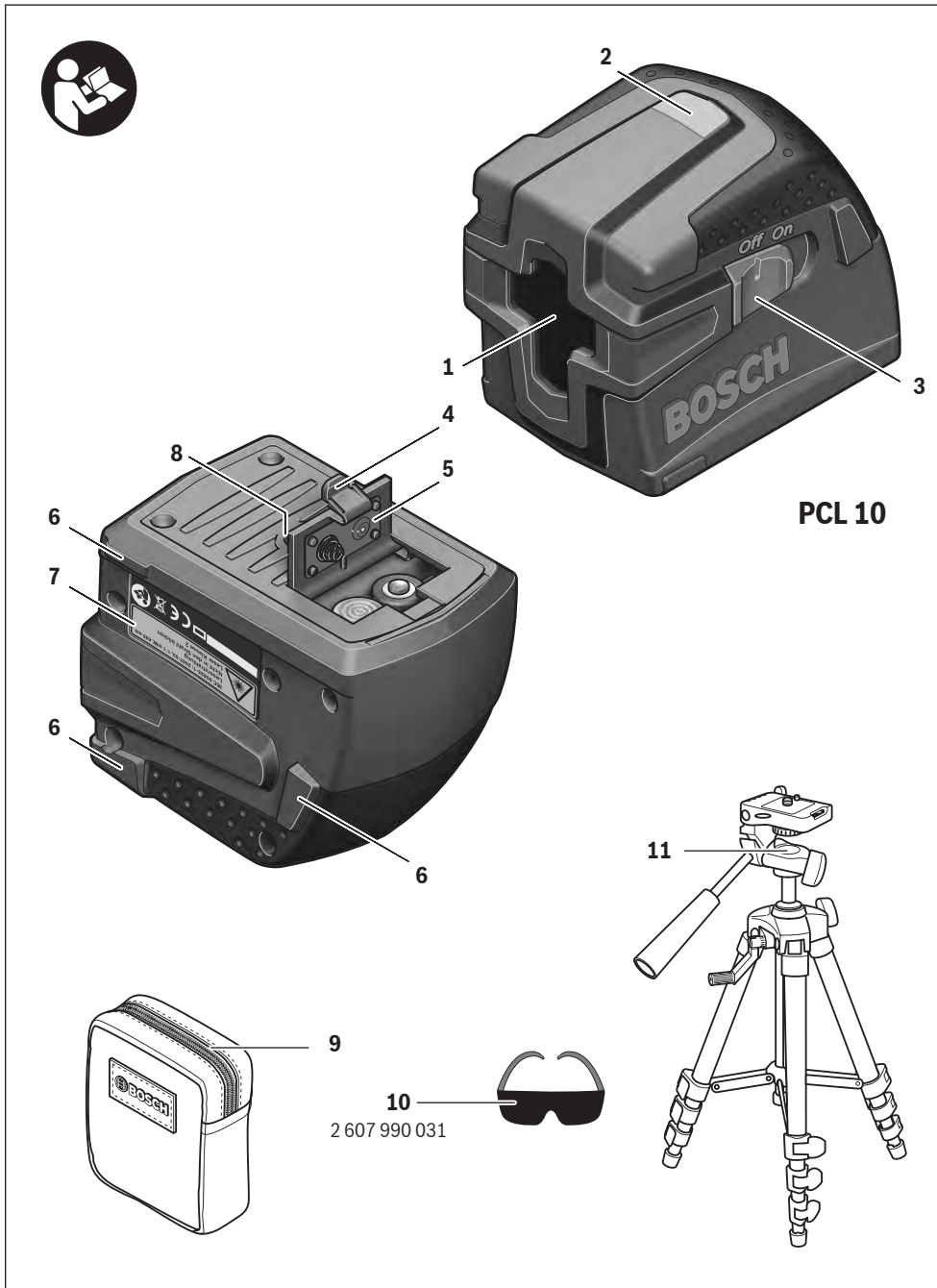
PCL 10

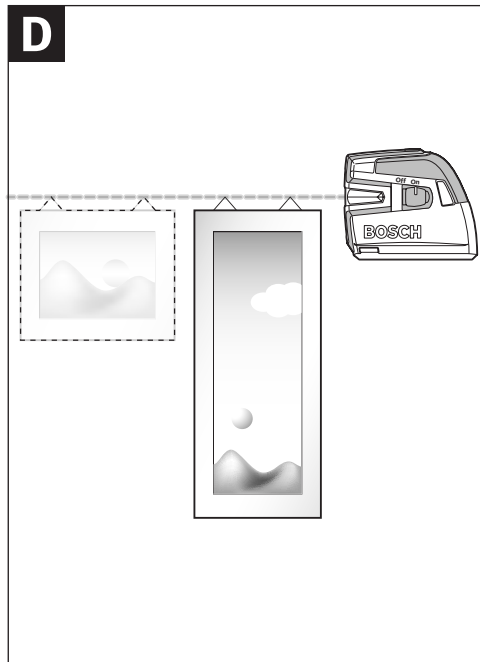
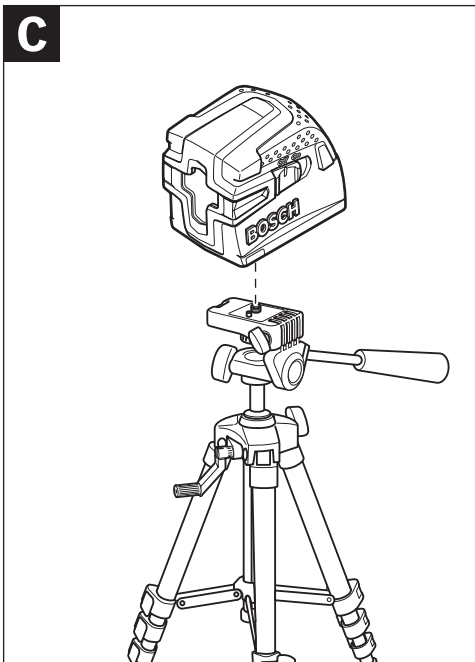
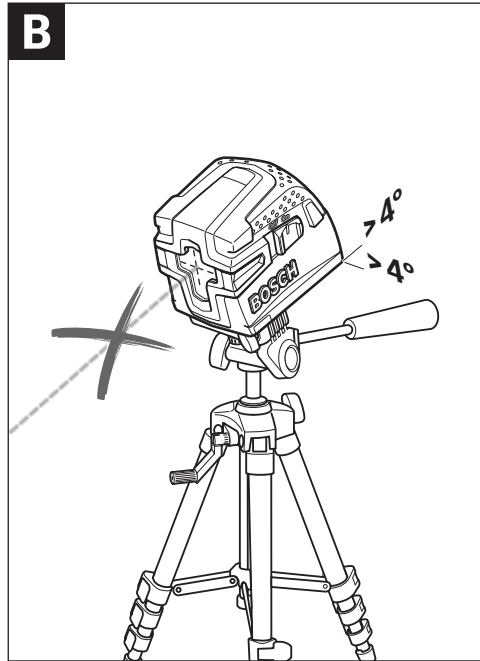
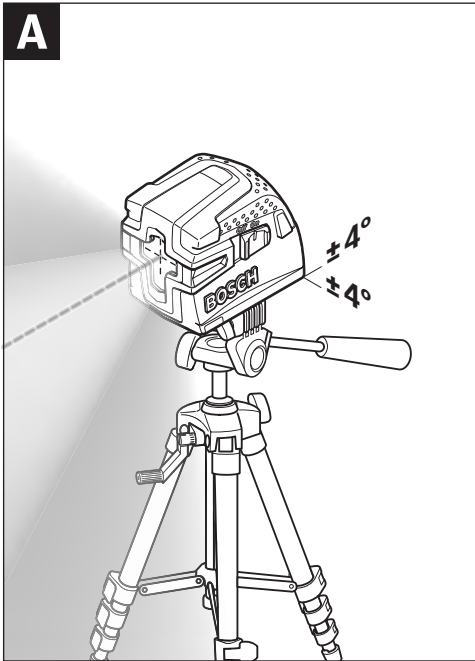
 **BOSCH**

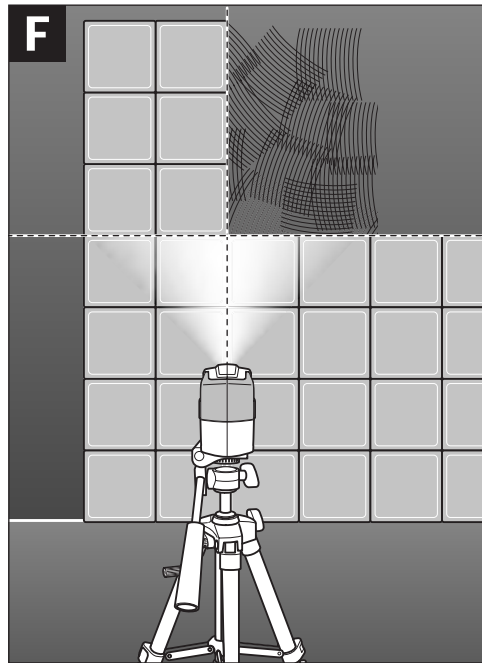
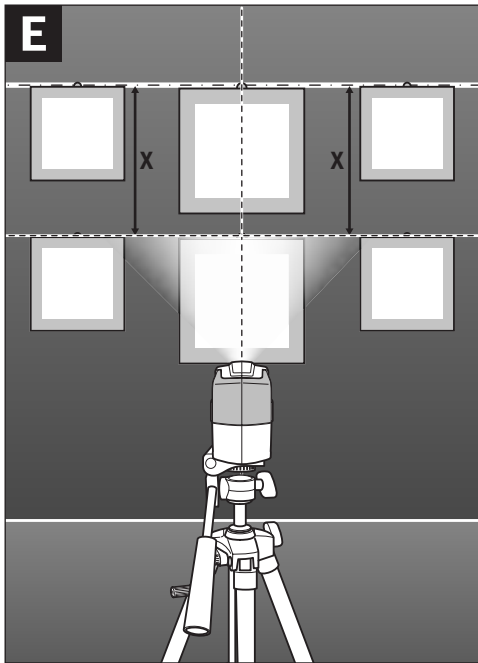
de Originalbetriebsanleitung
en Original instructions
fr Notice originale
es Manual original
pt Manual original
it Istruzioni originali
nl Oorspronkelijke gebruiksaanwijzing
da Original brugsanvisning

sv Bruksanvisning i original
no Original driftsinstruks
fi Alkuperäinen ohjeet
el Πρωτότυπο οδηγιών χρήσης
tr Orijinal işletme talimatı
ar تعليمات التشغيل الأصلية
fa راهنمای طرز کار اصلی









8 | English

Kundendienst und Kundenberatung

Der Kundendienst beantwortet Ihre Fragen zu Reparatur und Wartung Ihres Produkts sowie zu Ersatzteilen. Explosionszeichnungen und Informationen zu Ersatzteilen finden Sie auch unter:

www.bosch-pt.com

Das Bosch-Kundenberater-Team hilft Ihnen gerne bei Fragen zu Kauf, Anwendung und Einstellung von Produkten und Zubehör.

www.bosch-do-it.de, das Internetportal für Heimwerker und Gartenfreunde.

www.dha.de, das komplette Service-Angebot der Deutschen Heimwerker Akademie.

Deutschland

Robert Bosch GmbH

Servicezentrum Elektrowerkzeuge

Zur Luhne 2

37589 Kalefeld – Willershausen

Tel. Kundendienst: +49 (1805) 70 74 10*

Fax: +49 (1805) 70 74 11*

(* Festnetzpreis 14 ct/min, höchstens 42 ct/min aus Mobilfunknetzen)

E-Mail: Servicezentrum.Elektrowerkzeuge@de.bosch.com

Tel. Kundenberatung: +49 (1803) 33 57 99

(Festnetzpreis 9 ct/min, höchstens 42 ct/min aus Mobilfunknetzen)

Fax: +49 (711) 7 58 19 30

E-Mail: kundenberatung.ew@de.bosch.com

Österreich

Tel.: +43 (01) 7 97 22 20 10

Fax: +43 (01) 7 97 22 20 11

E-Mail: service.elektrowerkzeuge@at.bosch.com

Schweiz

Tel.: +41 (044) 8 47 15 11

Fax: +41 (044) 8 47 15 51

Luxemburg

Tel.: +32 2 588 0589

Fax: +32 2 588 0595

E-Mail: outillage.gereedschap@be.bosch.com

Entsorgung

Messwerkzeuge, Zubehör und Verpackungen sollen einer umweltgerechten Wiederverwertung zugeführt werden.

Werfen Sie Messwerkzeuge und Akkus/Batterien nicht in den Hausmüll!

Nur für EU-Länder:

Gemäß der europäischen Richtlinie 2002/96/EG müssen nicht mehr gebrauchsfähige Messwerkzeuge und gemäß der europäischen Richtlinie 2006/66/EG müssen defekte oder verbrauchte Akkus/Batterien getrennt gesammelt und einer umweltgerechten Wiederverwertung zugeführt werden.

Nicht mehr gebrauchsfähige Akkus/Batterien können direkt abgegeben werden bei:

Deutschland

Recyclingzentrum Elektrowerkzeuge

Osteroder Landstraße 3

37589 Kalefeld

Schweiz

Batrec AG

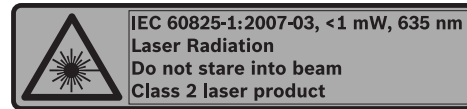
3752 Wimmis BE

Änderungen vorbehalten.

English**Safety Notes**

Working safely with the measuring tool is possible only when the operating and safety information are read completely and the instructions contained therein are strictly followed. Never make warning labels on the measuring tool unrecognisable. SAVE THESE INSTRUCTIONS.

- ▶ **Caution – The use of other operating or adjusting equipment or the application of other processing methods than those mentioned here, can lead to dangerous radiation exposure.**
- ▶ **The measuring tool is delivered with a warning label in German language (marked with the number 7 in the representation of the measuring tool on the graphic page).**



- ▶ **Before putting into operation for the first time, attach the supplied sticker in your national language over the German text on the warning label.**
- ▶ **Do not direct the laser beam at persons or animals and do not stare into the laser beam yourself.** This measuring tool produces laser class 2 laser radiation according to IEC 60825-1. This can lead to persons being blinded.
- ▶ **Do not use the laser viewing glasses as safety goggles.** The laser viewing glasses are used for improved visualisation of the laser beam, but they do not protect against laser radiation.
- ▶ **Do not use the laser viewing glasses as sun glasses or in traffic.** The laser viewing glasses do not afford complete UV protection and reduce colour perception.
- ▶ **Have the measuring tool repaired only through qualified specialists using original spare parts.** This ensures that the safety of the measuring tool is maintained.
- ▶ **Do not allow children to use the laser measuring tool without supervision.** They could unintentionally blind other persons or themselves.

- ▶ **Do not operate the measuring tool in explosive environments, such as in the presence of flammable liquids, gases or dusts.** Sparks can be created in the measuring tool which may ignite the dust or fumes.

Product Description and Specifications

Intended Use

The measuring tool is intended for determining and checking horizontal and vertical lines.

The measuring tool is suitable exclusively for operation in enclosed working sites.

Product Features

The numbering of the product features shown refers to the illustration of the measuring tool on the graphic page.

- 1 Exit opening for laser beam
- 2 Automatic levelling indicator
- 3 On/Off switch
- 4 Latch of battery lid
- 5 Battery lid
- 6 Contact surface
- 7 Laser warning label
- 8 Tripod mount 1/4"
- 9 Protective pouch
- 10 Laser viewing glasses*
- 11 Tripod*

*The accessories illustrated or described are not included as standard delivery.

Technical Data

Cross-line Laser	PCL 10
Article number	3 603 K08 1..
Working range to approx.	10 m
Levelling Accuracy	±0.5 mm/m
Self-levelling range, typically	±4°
Levelling duration, typically	4 s
Operating temperature	+5 °C... +40 °C
Storage temperature	-20 °C... +70 °C
Relative air humidity, max.	90 %
Laser class	2
Laser type	635 nm, < 1 mW
C ₆	> 10
Tripod mount	1/4"
Batteries	2 x 1.5 V LR06 (AA)
Operating life time, approx.	15 h
Weight according to EPTA-Procedure 01/2003	0.4 kg
Dimensions (length x width x height)	108 x 66 x 92 mm
Please observe the article number on the type plate of your measuring tool. The trade names of the individual measuring tools may vary.	

Assembly

Inserting/Replacing the Battery

Alkali-manganese batteries are recommended for the measuring tool.

To open the battery lid **5**, press on the latch **4** and fold the battery lid up. Insert the batteries. When inserting, pay attention to the correct polarity according to the representation on the inside of the battery compartment.

Always replace all batteries at the same time. Only use batteries from one brand and with the identical capacity.

- ▶ **Remove the batteries from the measuring tool when not using it for extended periods.** When storing for extended periods, the batteries can corrode and discharge themselves.

Operation

Initial Operation

- ▶ **Protect the measuring tool against moisture and direct sun light.**
- ▶ **Do not subject the measuring tool to extreme temperatures or variations in temperature.** As an example, do not leave it in vehicles for longer periods. In case of large variations in temperature, allow the measuring tool to adjust to the ambient temperature before putting it into operation.
- ▶ **Avoid heavy impact to or falling down of the measuring tool.** Damage to the measuring tool can impair its accuracy. After heavy impact or shock, compare the laser line with a known horizontal or vertical reference line.
- ▶ **Switch the measuring tool off during transport.** When switching off, the levelling unit, which can be damaged in case of intense movement, is locked.

Switching On and Off

To **switch on** the measuring tool, push the On/Off switch **3** to the "On" position. Immediately after switching on, the measuring tool sends two laser beams out of the exit opening **1**.

- ▶ **Do not point the laser beam at persons or animals and do not look into the laser beam yourself, not even from a large distance.**

To **switch off** the measuring tool, slide the On/Off switch **3** to the "Off" position. When switching off, the levelling unit is locked.

- ▶ **Do not leave the switched on measuring tool unattended and switch the measuring tool off after use.** Other persons could be blinded by the laser beam.

Working with Automatic Levelling (see figures A – B)

Position the measuring tool on a level and firm support, hold it by the contact surfaces **6** against a vertical surface or attach it to a tripod **11**.

After switching on, the levelling function automatically compensates irregularities within the self-levelling range of ±4°. The levelling is finished as soon as the laser beams do not move any more. The indicator **2** lights up green.

10 | English

If the automatic levelling function is not possible, e. g. because the surface on which the measuring tool stands deviates by more than 4° from the horizontal plane, the indicator **2** lights up red and the laser is automatically switched off. In this case, bring the measuring tool to the level position or hold it by the contact surfaces **6** straightly against a vertical surface, and wait for the self-levelling to take place. As soon as the measuring tool is within the self-levelling range of ±4° again, the indicator **2** lights up green and the laser beams are switched on.

When not within the self-levelling range of ±4°, working with the measuring tool is not possible, because it cannot be assured that the laser beams run at a right angle to each other.

In case of ground vibrations or position changes during operation, the measuring tool is automatically levelled in again. To avoid errors, check the position of the horizontal and vertical laser line with regard to the reference points upon re-levelling.

Working Advice

Working with the Tripod (see figure C)

A tripod **11** offers a stable, height-adjustable measuring support. Place the measuring tool via the tripod mount **8** onto the 1/4" male thread of the tripod and screw the locking screw of the tripod tight.

Holding Laterally against a Wall or Object (see figure D)

For quick checking of heights, the measuring tool can be held by the contact surfaces **6** laterally against a vertical wall, cabinets, etc. Take care to hold the measuring tool straightly and calmly.

Laser Viewing Glasses (Accessory)

The laser viewing glasses filter out the ambient light. This makes the red light of the laser appear brighter for the eyes.

► Do not use the laser viewing glasses as safety goggles.

The laser viewing glasses are used for improved visualisation of the laser beam, but they do not protect against laser radiation.

► Do not use the laser viewing glasses as sun glasses or in traffic.

The laser viewing glasses do not afford complete UV protection and reduce colour perception.

Maintenance and Service

Maintenance and Cleaning

Store and transport the measuring tool only in the supplied protective pouch.

Keep the measuring tool clean at all times.

Do not immerse the measuring tool in water or other fluids.

Wipe off debris using a moist and soft cloth. Do not use any cleaning agents or solvents.

Regularly clean the surfaces at the exit opening of the laser in particular, and pay attention to any fluff of fibres.

If the measuring tool should fail despite the care taken in manufacturing and testing procedures, repair should be carried out by an authorised after-sales service centre for Bosch power tools. Do not open the measuring tool yourself.

In all correspondence and spare parts orders, please always include the 10-digit article number given on the type plate of the measuring tool.

In case of repairs, send in the measuring tool packed in its protective pouch **9**.

After-sales Service and Customer Assistance

Our after-sales service responds to your questions concerning maintenance and repair of your product as well as spare parts. Exploded views and information on spare parts can also be found under:

www.bosch-pt.com

Our customer service representatives can answer your questions concerning possible applications and adjustment of products and accessories.

Great Britain

Robert Bosch Ltd. (B.S.C.)
P.O. Box 98
Broadwater Park
North Orbital Road
Denham
Uxbridge
UB 9 5HJ
Tel. Service: +44 (0844) 736 0109
Fax: +44 (0844) 736 0146
E-Mail: boschservicecentre@bosch.com

Ireland

Origo Ltd.
Unit 23 Magna Drive
Magna Business Park
City West
Dublin 24
Tel. Service: +353 (01) 4 66 67 00
Fax: +353 (01) 4 66 68 88

Australia, New Zealand and Pacific Islands

Robert Bosch Australia Pty. Ltd.
Power Tools
Locked Bag 66
Clayton South VIC 3169
Customer Contact Center
Inside Australia:
Phone: +61 (01300) 307 044
Fax: +61 (01300) 307 045
Inside New Zealand:
Phone: +64 (0800) 543 353
Fax: +64 (0800) 428 570
Outside AU and NZ:
Phone: +61 (03) 9541 5555
www.bosch.com.au

Republic of South Africa

Customer service
Hotline: +27 (011) 6 51 96 00

Gauteng – BSC Service Centre

35 Roper Street, New Centre
Johannesburg
Tel.: +27 (011) 4 93 93 75
Fax: +27 (011) 4 93 01 26
E-Mail: bsctools@icon.co.za

KZN – BSC Service Centre

Unit E, Almar Centre
143 Crompton Street
Pinetown
Tel.: +27 (031) 7 01 21 20
Fax: +27 (031) 7 01 24 46
E-Mail: bsc.dur@za.bosch.com

Western Cape – BSC Service Centre

Democracy Way, Prosperity Park
Milherton
Tel.: +27 (021) 5 51 25 77
Fax: +27 (021) 5 51 32 23
E-Mail: bsc@zsd.co.za

Bosch Headquarters

Midrand, Gauteng
Tel.: +27 (011) 6 51 96 00
Fax: +27 (011) 6 51 98 80
E-Mail: rbsa-hq.pts@za.bosch.com

People's Republic of China**China Mainland**

Bosch Power Tools (China) Co., Ltd.
567, Bin Kang Road
Bin Jiang District 310052
Hangzhou, P. R. China
Service Hotline: 400 826 8484
Fax: +86 571 8777 4502
E-Mail: contact.ptcn@cn.bosch.com
www.bosch-pt.com.cn

HK and Macau Special Administrative Regions

Robert Bosch Hong Kong Co. Ltd.
21st Floor, 625 King's Road
North Point, Hong Kong
Customer Service Hotline: +852 2101 0235
Fax: +852 2590 9762
E-Mail: info@hk.bosch.com
www.bosch-pt.com.hk

Indonesia

PT. Multi Mayaka
Kawasan Industri Pulogadung
Jalan Rawa Gelam III No. 2
Jakarta 13930
Indonesia
Tel.: +62 (21) 46 83 25 22
Fax: +62 (21) 46 82 86 45/68 23
E-Mail: sales@multimayaka.co.id
www.bosch-pt.co.id

Philippines

Robert Bosch, Inc.
28th Floor Fort Legend Towers,
3rd Avenue corner 31st Street,
Fort Bonifacio Global City,
1634 Taguig City, Philippines
Tel.: +63 (2) 870 3871
Fax: +63 (2) 870 3870
matheus.contiero@ph.bosch.com
www.bosch-pt.com.ph

Bosch Service Center:
9725-27 Kamagong Street
San Antonio Village
Makati City, Philippines
Tel.: +63 (2) 899 9091
Fax: +63 (2) 897 6432
rosalie.dagdagan@ph.bosch.com

Malaysia

Robert Bosch (S.E.A.) Pte. Ltd.
No. 8A, Jalan 13/6
G.P.O. Box 10818
46200 Petaling Jaya
Selangor, Malaysia
Tel.: +60 (3) 7966 3194
Fax: +60 (3) 7958 3838
cheehoe.on@my.bosch.com
Toll-Free: 1800 880 188
www.bosch-pt.com.my

Thailand

Robert Bosch Ltd.
Liberty Square Building
No. 287, 11 Floor
Silom Road, Bangrak
Bangkok 10500
Tel.: +66 (2) 6 31 18 79 – 18 88 (10 lines)
Fax: +66 (2) 2 38 47 83
Robert Bosch Ltd., P. O. Box 2054
Bangkok 10501, Thailand

Bosch Service – Training Centre
2869-2869/1 Soi Ban Kluay
Rama IV Road (near old Paknam Railway)
Prakanong District
10110 Bangkok
Thailand
Tel.: +66 (2) 6 71 78 00 – 4
Fax: +66 (2) 2 49 42 96
Fax: +66 (2) 2 49 52 99

Singapore

Robert Bosch (SEA) Pte. Ltd.
11 Bishan Street 21
Singapore 573943
Tel.: +65 6571 2772
Fax: +65 6350 5315
leongheng.leow@sg.bosch.com
Toll-Free: 1800 333 8333
www.bosch-pt.com.sg

Vietnam

Robert Bosch Vietnam Co. Ltd
10/F, 194 Golden Building
473 Dien Bien Phu Street
Ward 25, Binh Thanh District
84 Ho Chi Minh City
Vietnam
Tel.: +84 (8) 6258 3690 ext. 413
Fax: +84 (8) 6258 3692
hieu.lagia@vn.bosch.com
www.bosch-pt.com