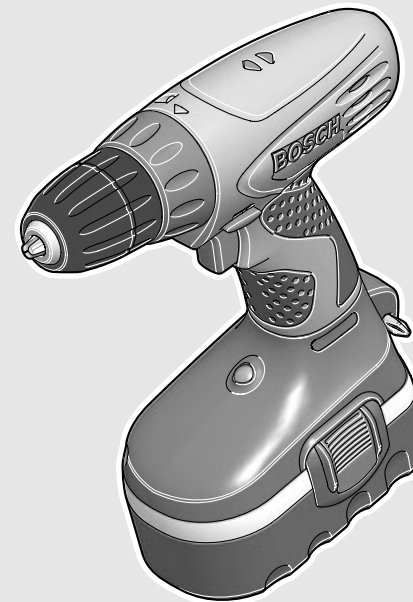


WEU

WEU



**Robert Bosch GmbH**  
Power Tools Division  
70745 Leinfelden-Echterdingen  
Germany

[www.bosch-pt.com](http://www.bosch-pt.com)

2 609 140 790 (2011.04) 0 / 73 WEU



2 609 140 790

PSR

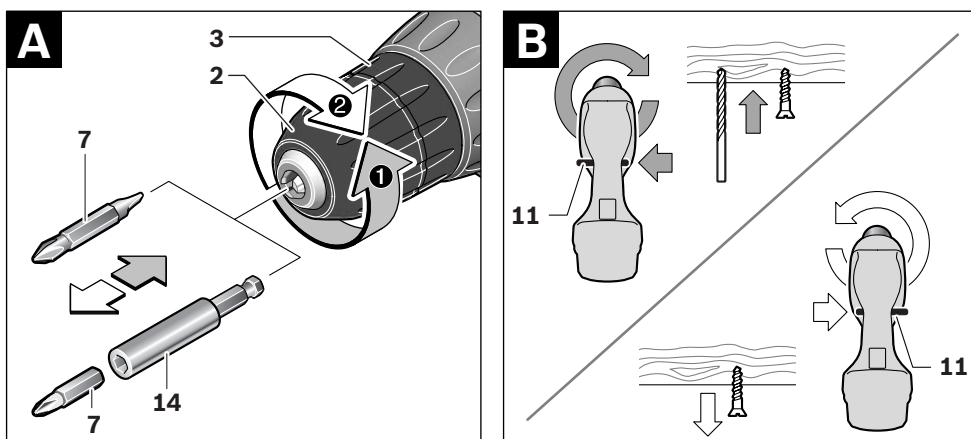
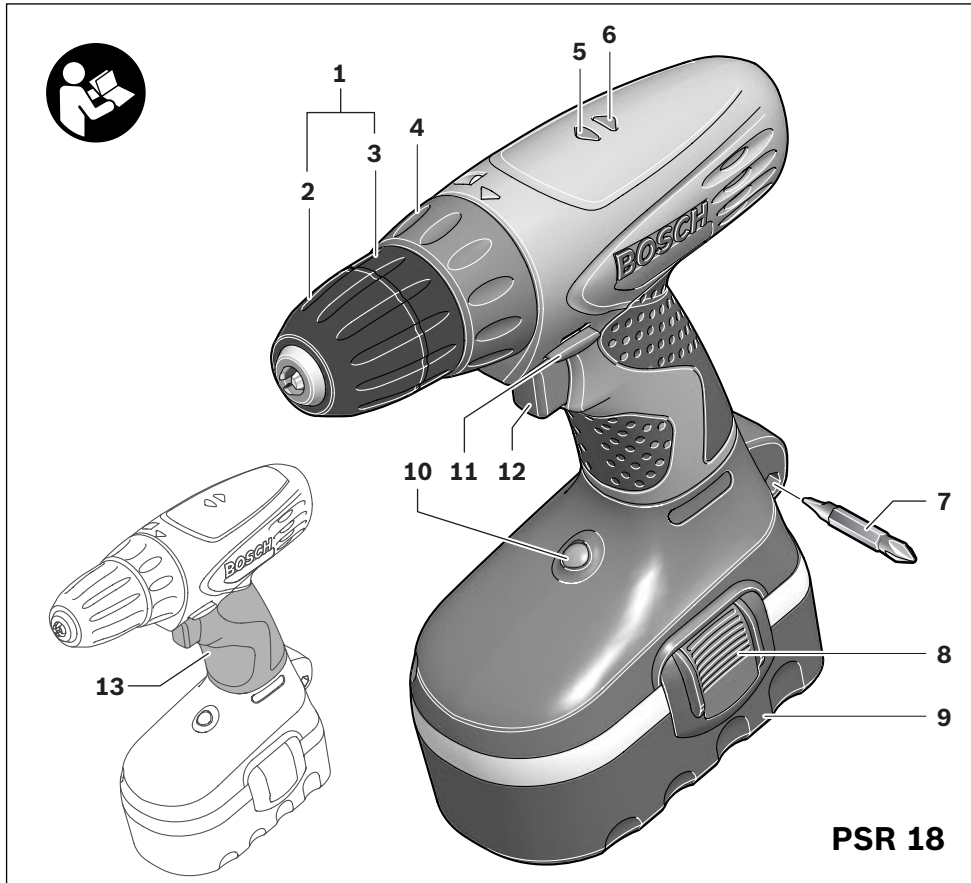
12 | 14,4 | 18

 **BOSCH**

**de** Originalbetriebsanleitung  
**en** Original instructions  
**fr** Notice originale  
**es** Manual original  
**pt** Manual original  
**it** Istruzioni originali  
**nl** Oorspronkelijke  
gebruiksaanwijzing  
**da** Original brugsanvisning  
**sv** Bruksanvisning i original  
**no** Original driftsinstruks  
**fi** Alkuperäiset ohjeet

**el** Πρωτότυπο οδηγιών χρήσης  
**tr** Orijinal işletme talimatı  
**ar** تعليمات التشغيل الأصلية





Nicht mehr gebrauchsfähige Akkus/Batterien können direkt abgegeben werden bei:

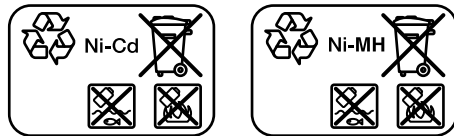
#### Deutschland

Recyclingzentrum Elektrowerkzeuge  
Osteroder Landstraße 3  
37589 Kalefeld

#### Schweiz

Batrec AG  
3752 Wimmis BE

#### Akkus/Batterien:



#### Ni-Cd: Nickel-Cadmium

Achtung: Diese Akkus enthalten Cadmium, ein hochgiftiges Schwermetall.

#### Ni-MH: Nickel-Metallhydrid

Änderungen vorbehalten.

## English

### Safety Notes

#### General Power Tool Safety Warnings

**⚠ WARNING** Read all safety warnings and all instructions. Failure to follow the warnings and instructions may result in electric shock, fire and/or serious injury.

#### Save all warnings and instructions for future reference.

The term "power tool" in the warnings refers to your mains-operated (corded) power tool or battery-operated (cordless) power tool.

#### Work area safety

- ▶ **Keep work area clean and well lit.** Cluttered or dark areas invite accidents.
- ▶ **Do not operate power tools in explosive atmospheres, such as in the presence of flammable liquids, gases or dust.** Power tools create sparks which may ignite the dust or fumes.
- ▶ **Keep children and bystanders away while operating a power tool.** Distractions can cause you to lose control.

#### Electrical safety

- ▶ **Power tool plugs must match the outlet. Never modify the plug in any way. Do not use any adapter plugs with earthed (grounded) power tools.** Unmodified plugs and matching outlets will reduce risk of electric shock.
- ▶ **Avoid body contact with earthed or grounded surfaces, such as pipes, radiators, ranges and refrigerators.**

There is an increased risk of electric shock if your body is earthed or grounded.

- ▶ **Do not expose power tools to rain or wet conditions.** Water entering a power tool will increase the risk of electric shock.
- ▶ **Do not abuse the cord. Never use the cord for carrying, pulling or unplugging the power tool. Keep cord away from heat, oil, sharp edges and moving parts.** Damaged or entangled cords increase the risk of electric shock.
- ▶ **When operating a power tool outdoors, use an extension cord suitable for outdoor use.** Use of a cord suitable for outdoor use reduces the risk of electric shock.
- ▶ **If operating a power tool in a damp location is unavoidable, use a residual current device (RCD) protected supply.** Use of an RCD reduces the risk of electric shock.

#### Personal safety

- ▶ **Stay alert, watch what you are doing and use common sense when operating a power tool. Do not use a power tool while you are tired or under the influence of drugs, alcohol or medication.** A moment of inattention while operating power tools may result in serious personal injury.
  - ▶ **Use personal protective equipment. Always wear eye protection.** Protective equipment such as dust mask, non-skid safety shoes, hard hat, or hearing protection used for appropriate conditions will reduce personal injuries.
  - ▶ **Prevent unintentional starting. Ensure the switch is in the off-position before connecting to power source and/or battery pack, picking up or carrying the tool.** Carrying power tools with your finger on the switch or engaging power tools that have the switch on invites accidents.
  - ▶ **Remove any adjusting key or wrench before turning the power tool on.** A wrench or a key left attached to a rotating part of the power tool may result in personal injury.
  - ▶ **Do not overreach. Keep proper footing and balance at all times.** This enables better control of the power tool in unexpected situations.
  - ▶ **Dress properly. Do not wear loose clothing or jewellery. Keep your hair, clothing and gloves away from moving parts.** Loose clothes, jewellery or long hair can be caught in moving parts.
  - ▶ **If devices are provided for the connection of dust extraction and collection facilities, ensure these are connected and properly used.** Use of dust collection can reduce dust-related hazards.
- #### Power tool use and care
- ▶ **Do not force the power tool. Use the correct power tool for your application.** The correct power tool will do the job better and safer at the rate for which it was designed.
  - ▶ **Do not use the power tool if the switch does not turn it on and off.** Any power tool that cannot be controlled with the switch is dangerous and must be repaired.
  - ▶ **Disconnect the plug from the power source and/or the battery pack from the power tool before making any adjustments, changing accessories, or storing power**

## 10 | English

**tools.** Such preventive safety measures reduce the risk of starting the power tool accidentally.

- ▶ **Store idle power tools out of the reach of children and do not allow persons unfamiliar with the power tool or these instructions to operate the power tool.** Power tools are dangerous in the hands of untrained users.
- ▶ **Maintain power tools. Check for misalignment or binding of moving parts, breakage of parts and any other condition that may affect the power tool's operation. If damaged, have the power tool repaired before use.** Many accidents are caused by poorly maintained power tools.
- ▶ **Keep cutting tools sharp and clean.** Properly maintained cutting tools with sharp cutting edges are less likely to bind and are easier to control.
- ▶ **Use the power tool, accessories and tool bits etc. in accordance with these instructions, taking into account the working conditions and the work to be performed.** Use of the power tool for operations different from those intended could result in a hazardous situation.

**Battery tool use and care**

- ▶ **Recharge only with the charger specified by the manufacturer.** A charger that is suitable for one type of battery pack may create a risk of fire when used with another battery pack.
- ▶ **Use power tools only with specifically designated battery packs.** Use of any other battery packs may create a risk of injury and fire.
- ▶ **When battery pack is not in use, keep it away from other metal objects, like paper clips, coins, keys, nails, screws or other small metal objects, that can make a connection from one terminal to another.** Shorting the battery terminals together may cause burns or a fire.
- ▶ **Under abusive conditions, liquid may be ejected from the battery; avoid contact. If contact accidentally occurs, flush with water. If liquid contacts eyes, additionally seek medical help.** Liquid ejected from the battery may cause irritation or burns.

**Service**

- ▶ **Have your power tool serviced by a qualified repair person using only identical replacement parts.** This will ensure that the safety of the power tool is maintained.

**Safety Warnings for Drills and Screwdriver**

- ▶ **Hold power tool by insulated gripping surfaces, when performing an operation where the cutting accessory or fastener may contact hidden wiring.** Cutting accessory and fasteners contacting a "live" wire may make exposed metal parts of the power tool "live" and could give the operator an electric shock.
- ▶ **Use appropriate detectors to determine if utility lines are hidden in the work area or call the local utility company for assistance.** Contact with electric lines can lead to fire and electric shock. Damaging a gas line can lead to explosion. Penetrating a water line causes property damage.

- ▶ **Switch off the power tool immediately when the tool insert jams. Be prepared for high reaction torque that can cause kickback.** The tool insert jams when:
  - the power tool is subject to overload or
  - it becomes wedged in the workpiece.

- ▶ **Hold the machine with a firm grip.** High reaction torque can briefly occur while driving in and loosening screws.

- ▶ **Secure the workpiece.** A workpiece clamped with clamping devices or in a vice is held more secure than by hand.

- ▶ **Always wait until the machine has come to a complete stop before placing it down.** The tool insert can jam and lead to loss of control over the power tool.

- ▶ **Do not open the battery.** Danger of short-circuiting.



**Protect the battery against heat, e. g., against continuous intense sunlight, fire, water, and moisture.** Danger of explosion.

- ▶ **Use only original Bosch batteries with the voltage listed on the nameplate of your power tool.** When using other batteries, e. g. imitations, reconditioned batteries or other brands, there is danger of injury as well as property damage through exploding batteries.

## Product Description and Specifications



**Read all safety warnings and all instructions.** Failure to follow the warnings and instructions may result in electric shock, fire and/or serious injury.

**Intended Use**

The machine is intended for driving in and loosening screws as well as for drilling in wood, metal, ceramic and plastic.

**Product Features**

The numbering of the product features refers to the illustration of the machine on the graphics page.

- 1 Keyless chuck
- 2 Front sleeve
- 3 Rear sleeve
- 4 Torque preselection ring
- 5 Indicator for right rotation
- 6 Indicator for left rotation
- 7 Screwdriver bit\*
- 8 Battery unlocking button
- 9 Battery
- 10 "PowerLight"
- 11 Rotational direction switch
- 12 On/Off switch
- 13 Handle (insulated gripping surface)
- 14 Universal bit holder\*

\*Accessories shown or described are not part of the standard delivery scope of the product. A complete overview of accessories can be found in our accessories program.

### Noise/Vibration Information

Measured sound values determined according to EN 60745.

Typically the A-weighted sound pressure level of the product is 75 dB(A). Uncertainty K = 3 dB.

The noise level when working can exceed 80 dB(A).

#### Wear hearing protection!

Vibration total values (triax vector sum) determined according to EN 60745:

Drilling into metal: Vibration emission value  $a_{rh} < 2.5 \text{ m/s}^2$ , Uncertainty  $K = 1.5 \text{ m/s}^2$ ,

Screwdriving: Vibration emission value  $a_{rh} < 2.5 \text{ m/s}^2$ , Uncertainty  $K = 1.5 \text{ m/s}^2$ .

The vibration emission level given in this information sheet has been measured in accordance with a standardised test given in EN 60745 and may be used to compare one tool with another. It may be used for a preliminary assessment of exposure.

The declared vibration emission level represents the main applications of the tool. However if the tool is used for different applications, with different accessories or poorly maintained, the vibration emission may differ. This may significantly increase the exposure level over the total working period.

An estimation of the level of exposure to vibration should also take into account the times when the tool is switched off or when it is running but not actually doing the job. This may significantly reduce the exposure level over the total working period.

Identify additional safety measures to protect the operator from the effects of vibration such as: maintain the tool and the accessories, keep the hands warm, organisation of work patterns.

### Technical Data

Cordless Drill/Driver		PSR 12	PSR 14,4	PSR 18
Article number		3 603 J55 5..	3 603 J55 4..	3 603 J55 3..
Rated voltage	V=	12	14.4	18
No-load speed	min <sup>-1</sup>	0–700	0–700	0–700
Max. torque for hard/soft screwdriving application according to ISO 5393	Nm	26/11	28/12	30/13
Max. screw dia.	mm	8	8	8
Max. drilling dia.				
– Steel	mm	10	10	10
– Wood	mm	20	25	28
Chuck clamping range	mm	0.8–10	0.8–10	0.8–10
Weight according to EPTA-Procedure 01/2003	kg	1.4	1.5	1.7
Please observe the article number on the type plate of your machine. The trade names of the individual machines may vary.				

### Declaration of Conformity


We declare under our sole responsibility that the product described under "Technical Data" is in conformity with the following standards or standardization documents: EN 60745 according to the provisions of the directives 2004/108/EC, 2006/42/EC.

Technical file at:

Robert Bosch GmbH, PT/ESC,  
D-70745 Leinfelden-Echterdingen

Dr. Egbert Schneider  
Senior Vice President  
Engineering

Dr. Eckerhard Strötgen  
Head of Product  
Certification

 i.v. Strötgen

Robert Bosch GmbH, Power Tools Division  
D-70745 Leinfelden-Echterdingen  
10.03.2011

### Assembly

#### Battery Charging

A battery that is new or has not been used for a longer period does not develop its full capacity until after approx. 5 charging/discharging cycles.

To remove the battery **9** press the unlocking buttons **8** and pull out the battery downwards. **Do not exert any force.**

The battery is equipped with a NTC temperature control which allows charging only within a temperature range of between 0 °C and 45 °C. A long battery service life is achieved in this manner.

A significantly reduced working period after charging indicates that the battery is used and must be replaced.

Observe the notes for disposal.

#### Changing the Tool (see figure A)

► **Before any work on the machine (e. g., maintenance, tool change, etc.) as well as during transport and storage, set the rotational direction switch to the centre position.** Unintentional actuation of the On/Off switch can lead to injuries.

## 12 | English

Hold the rear sleeve **3** of the keyless chuck **1** tight and turn the front sleeve **2** in rotation direction **1**, until the tool can be inserted. Insert the tool.

Hold the rear sleeve **3** of the keyless chuck **1** tight and firmly tighten the front sleeve **2** by hand in rotation direction **2**, until the locking action (click) is heard. The drill chuck is locked automatically.

The locking is released again to remove the tool when the front sleeve **2** is turned in the opposite direction.

### Replacing the Drill Chuck

For machines without spindle lock, the drill chuck must be replaced through an authorized after-sales service agent for Bosch power tools.



**The drill chuck must be tightened with a tightening torque of approx. 30 – 35 Nm.**

### Dust/Chip Extraction

- ▶ Dusts from materials such as lead-containing coatings, some wood types, minerals and metal can be harmful to one's health. Touching or breathing-in the dusts can cause allergic reactions and/or lead to respiratory infections of the user or bystanders.

Certain dusts, such as oak or beech dust, are considered as carcinogenic, especially in connection with wood-treatment additives (chromate, wood preservative). Materials containing asbestos may only be worked by specialists.

- Provide for good ventilation of the working place.
  - It is recommended to wear a P2 filter-class respirator.
- Observe the relevant regulations in your country for the materials to be worked.

- ▶ **Prevent dust accumulation at the workplace.** Dusts can easily ignite.

## Operation

### Starting Operation

#### Inserting the Battery


- ▶ **Use only original Bosch O-pack batteries with the voltage given on the type plate of your machine.** The use of other batteries can lead to injuries and danger of fire.

Set the rotational direction switch **11** to the centre position in order to avoid unintentional starting. Insert the charged battery **9** into the handle so that it can be felt to engage and faces flush against the handle.

#### Reversing the Rotational Direction (see figure B)

The rotational direction switch **11** is used to reverse the rotational direction of the machine. However, this is not possible with the On/Off switch **12** actuated.

**Right Rotation:** For drilling and driving in screws, push the rotational direction switch **11** left to the stop.

 The indicator for right rotation **5** lights up when the On/Off switch **12** is actuated.

**Left Rotation:** For loosening or unscrewing screws, push the rotational direction switch **11** right to the stop.



The indicator for left rotation **6** lights up when the On/Off switch **12** is actuated.

### Setting the Torque

The required torque can be preselected in 10 steps with the torque preselection ring **4**. With the correct setting, the insert tool is stopped as soon as the screw is screwed flush into the material or when the set torque is reached.

Select a higher setting when driving out screws, or set to the symbol "Drilling".



#### Drilling

The safety clutch is deactivated in the "Drilling" position.

### Switching On and Off

To **start** the machine, press the On/Off switch **12** and keep it pressed.

The power light **10** lights up when the On/Off switch **12** is halfway or fully depressed, and enables illumination of the screwing location in unfavourable light conditions.

To switch off the machine, **release** the On/Off switch **12**.

### Adjusting the Speed

The speed of the switched on power tool can be variably adjusted, depending on how far the On/Off switch **12** is pressed.

Light pressure on the On/Off switch **12** results in a low rotational speed. Further pressure on the switch results in an increase in speed.

### Run-on Brake

When the On/Off switch **12** is released, the chuck brakes to a stop, thus preventing the run-on of the tool.

When driving in screws, wait until the screw is screwed in flush with the material and then release the On/Off switch **12**. By doing so, the head of the screw does not penetrate into the material.

### Working Advice

- ▶ **Apply the power tool to the screw only when it is switched off.** Rotating tool inserts can slip off.

After longer periods of working at low speed, allow the machine to cool down by running it for approx. 3 minutes at maximum speed with no load.

For drilling in metal, use only perfectly sharpened HSS drill bits (HSS = high-speed steel). The appropriate quality is guaranteed by the Bosch accessories program.

Before screwing larger, longer screws into hard materials, it is advisable to predrill a pilot hole with the core diameter of the thread to approx.  $\frac{2}{3}$  of the screw length.

## Maintenance and Service

### Maintenance and Cleaning

- ▶ **Before any work on the machine (e. g., maintenance, tool change, etc.) as well as during transport and storage, set the rotational direction switch to the centre position.** Unintentional actuation of the On/Off switch can lead to injuries.

► **For safe and proper working, always keep the machine and ventilation slots clean.**

If the machine should fail despite the care taken in manufacturing and testing procedures, repair should be carried out by an after-sales service centre for Bosch power tools.

In all correspondence and spare parts order, please always include the 10-digit article number given on the type plate of the machine.

**After-sales Service and Customer Assistance**

Our after-sales service responds to your questions concerning maintenance and repair of your product as well as spare parts. Exploded views and information on spare parts can also be found under:

**www.bosch-pt.com**

Our customer service representatives can answer your questions concerning possible applications and adjustment of products and accessories.

**Great Britain**

Robert Bosch Ltd. (B.S.C.)

P.O. Box 98  
Broadwater Park  
North Orbital Road  
Denham  
Uxbridge  
UB 9 5HJ

Tel. Service: +44 (0844) 736 0109

Fax: +44 (0844) 736 0146

E-Mail: boschservicecentre@bosch.com

**Ireland**

Origo Ltd.  
Unit 23 Magna Drive  
Magna Business Park  
City West  
Dublin 24

Tel. Service: +353 (01) 4 66 67 00

Fax: +353 (01) 4 66 68 88

**Australia, New Zealand and Pacific Islands**

Robert Bosch Australia Pty. Ltd.

Power Tools  
Locked Bag 66  
Clayton South VIC 3169  
Customer Contact Center  
Inside Australia:  
Phone: +61 (01300) 307 044  
Fax: +61 (01300) 307 045  
Inside New Zealand:  
Phone: +64 (0800) 543 353  
Fax: +64 (0800) 428 570  
Outside AU and NZ:  
Phone: +61 (03) 9541 5555  
www.bosch.com.au

**Republic of South Africa**

**Customer service**

Hotline: +27 (011) 6 51 96 00

**Gauteng – BSC Service Centre**

35 Roper Street, New Centre  
Johannesburg  
Tel.: +27 (011) 4 93 93 75  
Fax: +27 (011) 4 93 01 26  
E-Mail: bsctools@icon.co.za

**KZN – BSC Service Centre**

Unit E, Almar Centre  
143 Crompton Street  
Pinetown  
Tel.: +27 (031) 7 01 21 20  
Fax: +27 (031) 7 01 24 46  
E-Mail: bsc.dur@za.bosch.com

**Western Cape – BSC Service Centre**

Democracy Way, Prosperity Park  
Milnerton  
Tel.: +27 (021) 5 51 25 77  
Fax: +27 (021) 5 51 32 23  
E-Mail: bsc@zsd.co.za

**Bosch Headquarters**

Midrand, Gauteng  
Tel.: +27 (011) 6 51 96 00  
Fax: +27 (011) 6 51 98 80  
E-Mail: rbsa-hq.pts@za.bosch.com

**Disposal**



The machine, rechargeable batteries, accessories and packaging should be sorted for environmental-friendly recycling.

Do not dispose of power tools and batteries/rechargeable batteries into household waste!

**Only for EC countries:**



According to the European Guideline 2002/96/EC, power tools that are no longer usable, and according to the European Guideline 2006/66/EC, defective or used battery packs/batteries, must be collected separately and disposed of in an environmentally correct manner.

Batteries no longer suitable for use can be directly returned at:

**Great Britain**

Robert Bosch Ltd. (B.S.C.)  
P.O. Box 98  
Broadwater Park  
North Orbital Road  
Denham  
Uxbridge  
UB 9 5HJ  
Tel. Service: +44 (0844) 736 0109  
Fax: +44 (0844) 736 0146  
E-Mail: boschservicecentre@bosch.com