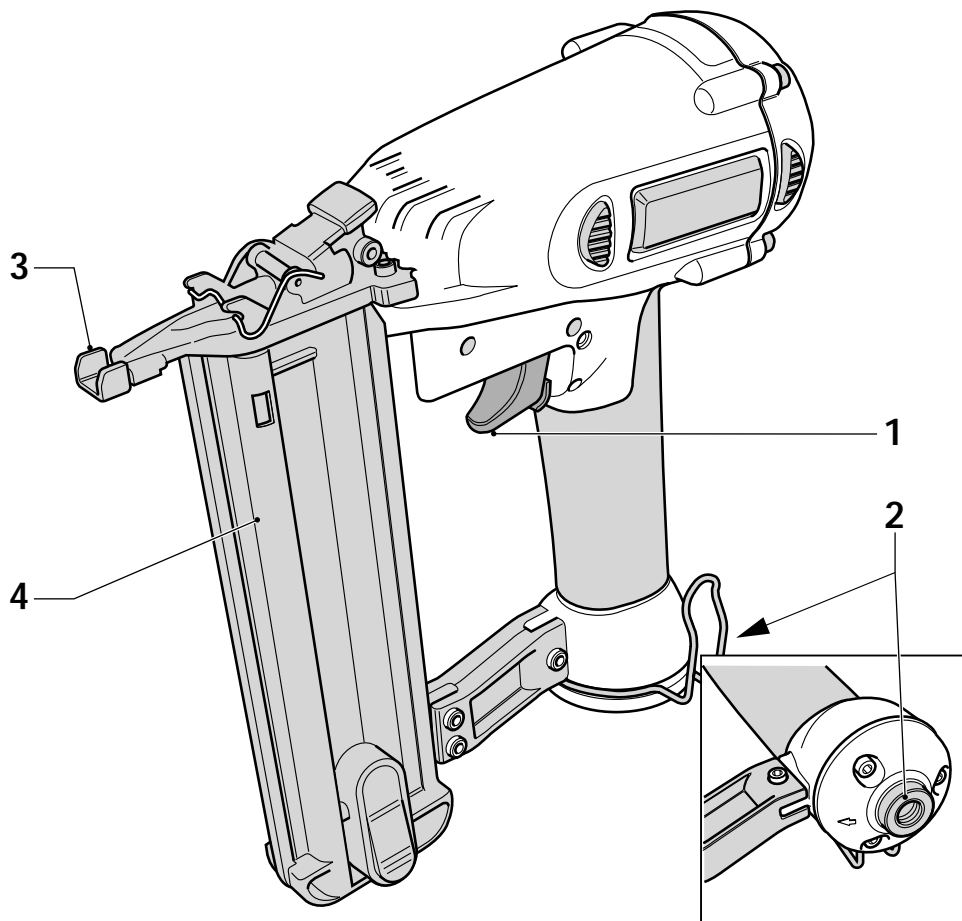
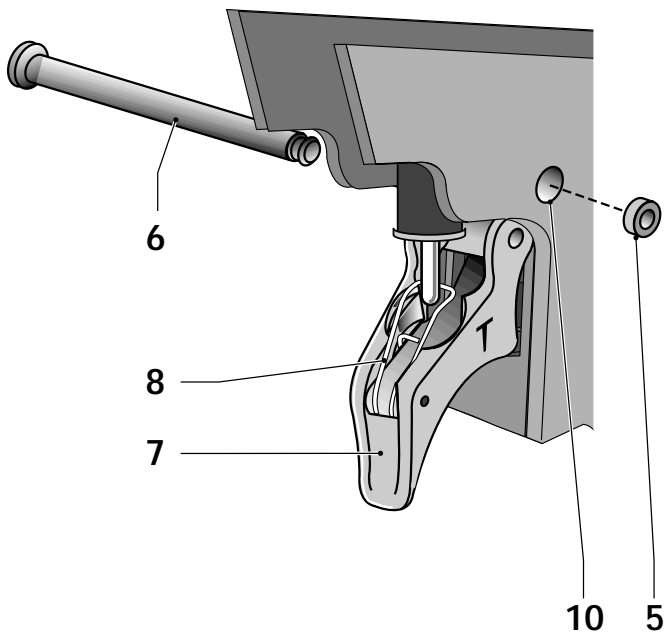

DEWALT®

D51238

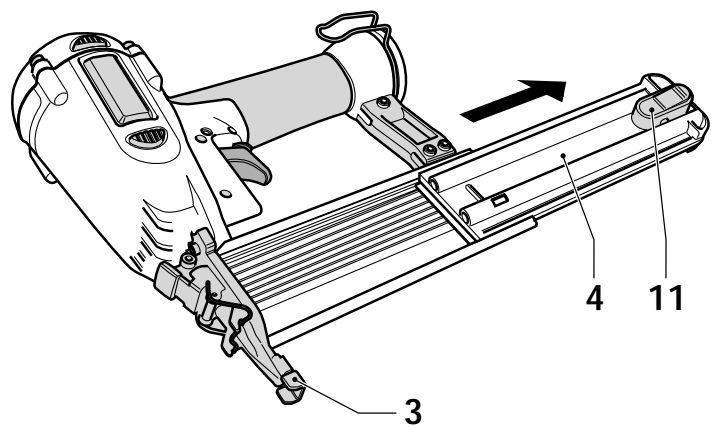
Dansk	5
Deutsch	11
English	18
Español	24
Français	31
Italiano	37
Nederlands	44
Norsk	50
Português	56
Suomi	63
Svenska	69
Türkçe	75
Ελληνικά	82



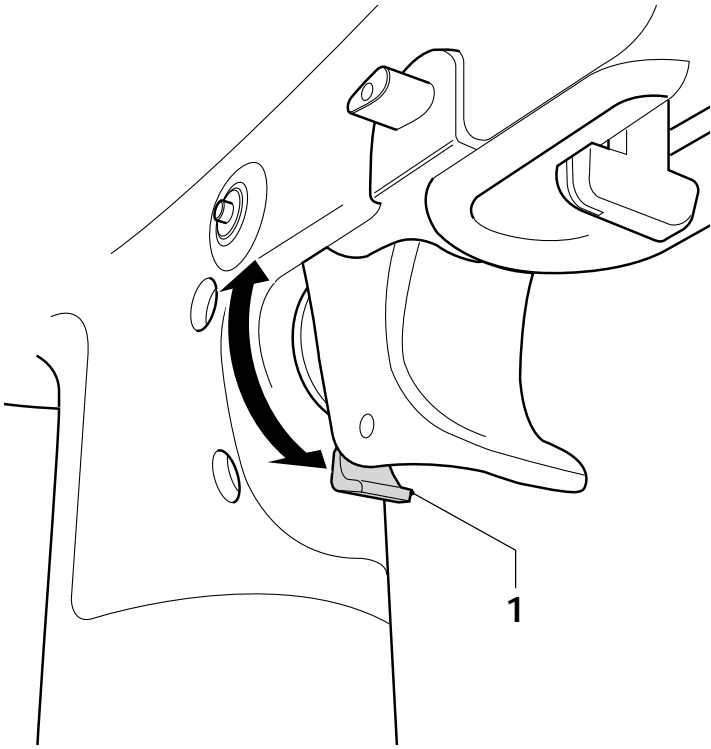
A



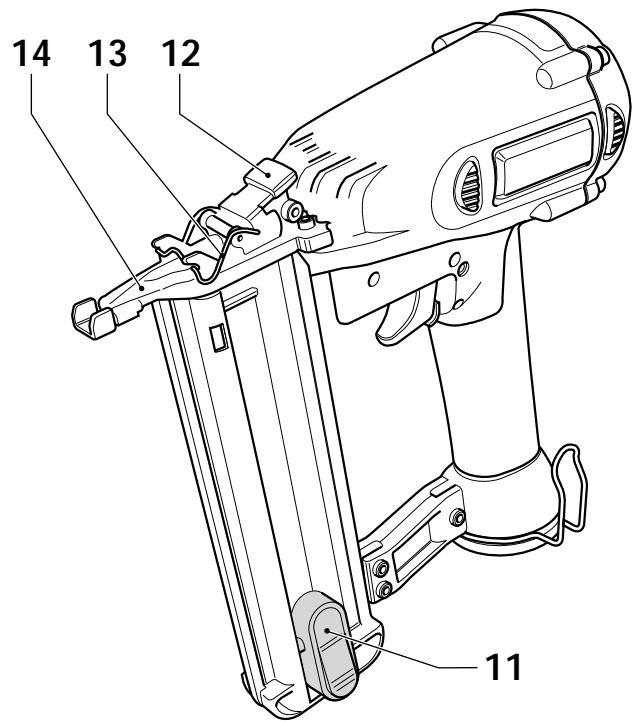
B



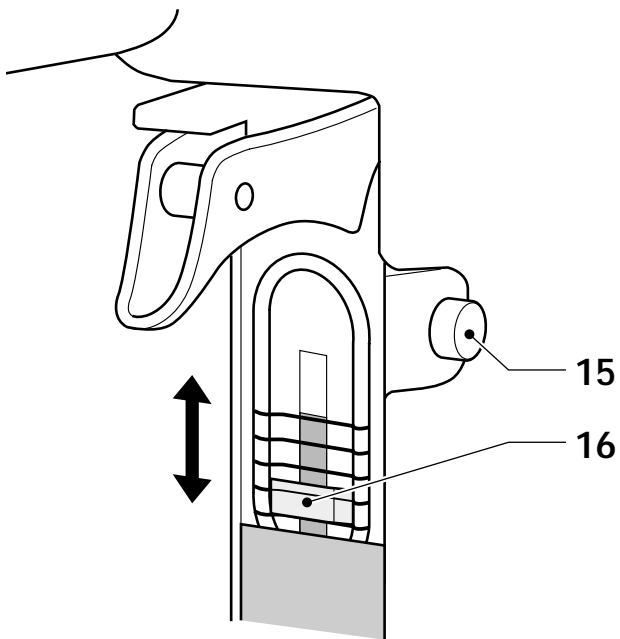
C



D



E



F

NAILER D51238

Congratulations!

You have chosen a DEWALT tool. Years of experience, thorough product development and innovation make DEWALT one of the most reliable partners for professional power tool users.

Technical data

		D51238
Sound pressure (L_{pA})	dB(A)	< 75
Acoustic power (L_{WA})	dB(A)	< 88
Hand/arm weighted vibration	m/s ²	2.3 ¹⁾
Recommended operating pressure	bar	4.8 - 8.0
Max. operating pressure	bar	8.0
Air consumption per shot	l	4.5 (at 6.9 bar)
Actuating mode		contact actuating
Magazine angle		0°
Fasteners		
length	mm	16 - 50
shank diameter	mm	1.2 (18 gauge)
angle		0°
Weight	kg	1.27

¹⁾ This value is a tool-related characteristic value and does not represent the influence to the hand-arm-system when using the tool. The influence to the hand-arm-system when using the tool will for example depend on the gripping force, the contact pressure force, the working direction, the adjustment of energy supply, the workpiece and the workpiece support.

EC-Declaration of conformity



D51238

DEWALT declares that these tools have been designed in compliance with:

98/37/EC, EN 792-13, EN 12549, EN 12096

For more information, please contact DEWALT at the address below, or refer to the back of the manual.

Director Engineering and Product Development
Horst Großmann

DEWALT, Richard-Klinger-Straße 40,
D-65510, Idstein, Germany

Safety instructions

When using tools, always observe the safety regulations applicable in your country to reduce the risk of personal injury. Read the following safety instructions before attempting to operate this product.

Keep these instructions in a safe place!

General

1 Keep work area clean

Cluttered areas and benches can cause accidents.

2 Consider work area environment

Do not expose tools to humidity. Keep work area well lit. Do not use tools in the presence of flammable liquids or gases.

3 Keep children away

Do not let children or visitors come into contact with the tool. Supervision is required for those under 16 years of age.

4 Store idle tools

When not in use, tools must be stored in a dry place and locked up securely, out of reach of children.

5 Dress properly

Do not wear loose clothing or jewellery. They can be caught in moving parts. Preferably wear rubber gloves and non-slip footwear when working outdoors. Wear protective hair covering to keep long hair out of the way.

6 Do not overreach

Keep proper footing and balance at all times.

7 Stay alert

Watch what you are doing. Use common sense. Do not operate the tool when you are tired.

8 Use appropriate tool

The intended use is described in this instruction manual. Do not force small tools or attachments to do the job of a heavy-duty tool. The tool will do the job better and safer at the rate for which it was intended.

Warning! The use of any accessory or attachment or performance of any operation with this tool, other than those recommended in this instruction manual may present a risk of personal injury.

9 Maintain tools with care

Keep the tools in good condition and clean for better and safer performance. Follow the instructions for maintenance and changing accessories. Keep all controls dry, clean and free from oil and grease.

10 Check for damaged parts

Before using the tool, carefully check it for damage to ensure that it will operate properly and perform its intended function. Check for misalignment and seizure of moving parts, breakage of parts and any other conditions that may affect its operation. Have damaged guards or other defective parts repaired or replaced as instructed.

11 Have your tool repaired by an authorized DeWALT repair agent

This tool is in accordance with the relevant safety regulations. To avoid danger, tools must only be repaired by qualified technicians.

Additional safety instructions for pneumatic nailers

- Always wear safety glasses.
- Always wear ear protection.
- Only use fasteners of the type specified in the manual.
- Do not use any stands for mounting the tool to a support.
- Never use the tool for any other purpose than specified in this manual.
- Prior to each operation check that the safety and triggering mechanism is functioning properly and that all nuts and bolts are tight.
- Use quick-action couplings for connection to the compressed air system. The non-sealable nipple must be fitted to the tool in such a way that no compressed air remains in the tool after disconnection.
- Always use clean, dry compressed air. Do not use oxygen or combustible gases as an energy source for this tool.
- Only connect this tool to an air supply where the maximum allowable pressure of the tool cannot be exceeded by more than 10%. In case of higher pressures, a pressure reducing valve including a downstream safety valve shall be built into the compressed air supply.
- Only use hoses with a rating exceeding the maximum operating pressure of the tool.
- Before transporting the tool, disconnect it from the compressed air system, especially where ladders are used or where unusual physical posture is adopted while moving.
- Disconnect the tool from the air supply when it is not in use.
- Avoid weakening or damaging the tool, for example by:
 - punching or engraving
 - modifications not authorised by the manufacturer
 - guiding against templates made of hard material such as steel
 - dropping or pushing across the floor
 - applying excessive force of any kind
- Do not use the equipment as a hammer.
- Never point any operational fastener driving tool at yourself or at any other person.
- While working, hold the tool in such a way that no injuries can be caused to the head or to the body in the event of a possible recoil due to a disruption in the energy supply or hard areas within the workpiece.
- Never actuate the fastener driving tool into free space.
- In the work area, carry the tool at the workplace using only one handle, and never with the trigger actuated.
- Consider the conditions in the work area. Fasteners can penetrate thin workpieces or slip off corners and edges of the workpiece, and thus put people at risk.
- Do not drive fasteners close to the edge of the workpiece.
- Do not drive fasteners on top of other fasteners.
- Only use spare parts specified by the manufacturer or his authorised agents.

- Have repairs carried out only by the manufacturer or authorised agents having due regard to the information given in the manual and using the appropriate tools and equipment.
- Do not disassemble or block any parts of the fastener driving tool such as the safety yoke.
- Have the tool serviced properly and at regular intervals.

The following pictograms are shown on the tool:



Pneumatic tool with safety yoke.



Do not use on a ladder.



Magazine angle.



Maximum number of nails in magazine.



Nail diameter.



Nail length.



Max. operating pressure.

Package contents

The package contains:

- 1 Nailer
 - 1 Sequential action trigger
 - 1 Pair of safety glasses
 - 1 Bottle of DEWALT pneumatic tool oil
 - 1 Allen key
 - 1 Kitbox
 - 1 Instruction manual
 - 1 Exploded drawing
- Check for damage to the tool, parts or accessories which may have occurred during transport.
 - Take the time to thoroughly read and understand this manual prior to operation.

Description (fig. A)

Your nailer D51238 has been designed for driving fasteners into wooden workpieces.

- 1 Trigger/lock-off switch
- 2 Air fitting
- 3 Contact trip
- 4 Magazine

Assembly and adjustment

Trigger selection

These tools are assembled with a bump action trigger. A sequential action trigger is also included with the original packaging. For definitions of "bump action" and "sequential action", see below.

- The grey trigger with a single nail printed on the side is the sequential action trigger. Installation of this kit causes the tool to function in sequential action mode.
- The black trigger with three nails printed on the side is the bump action trigger. Installation of this kit causes the tool to function in bump action mode.

Removing the trigger (fig. B)

- Disconnect the airline from the tool.
- Remove all nails from the magazine.
- Remove the rubber grommet (5) from the end of the dowel pin (6).
- Remove the dowel pin.
- Remove the trigger assembly (7).

Fitting the trigger (fig. B)

- Select the appropriate trigger.
- Insert the trigger assembly into the trigger cavity, ensuring that the trigger spring (8) is properly seated.
- Insert the dowel pin (6) through the tool frame, contact trip guide and trigger assembly.
- Push the rubber grommet (5) onto the end of the dowel pin.

Air fitting (fig. A)

These tools have a standard 1/4" pipe thread for the air fitting (2).

- Wrap the male end of the fitting with Teflon tape to prevent air leaks.
- Screw the fitting into the end cap and tighten firmly.

Instructions for use



Always observe the safety instructions and applicable regulations.

Preparing the tool (fig. C)

- Drain all condensation from the air compressor tanks and hoses.
- Lubricate the tool. See "Maintenance".
- Remove all nails from the magazine.
- Press the pusher release button (11) and pull the magazine (4) rearward.
- Check if the contact trip (3) and magazine (4) can move freely.



Do not use the tool if the contact trip or magazine cannot move freely.

- Check that the pressure of the air supply is below the maximum recommended operating pressure.
- Connect the air hose to the fitting on the tool.
- Check for audible leaks around valves and gaskets.



Never use a tool that leaks or has damaged parts.

Cold weather operation

When operating tools at temperatures below freezing:

- Keep the tool as warm as possible before use.
- Disconnect the airline from the tool.
- Put 5-10 drops of DeWALT pneumatic tool oil (or winter-weight pneumatic oil containing ethylene glycol) into the air inlet.
- Set the air pressure to a maximum of 5.5 bar.
- Connect the air hose to the fitting on the tool.
- Load nails into the magazine as described below.
- Actuate the tool 5 or 6 times into scrap lumber to lubricate the o-rings.
- Increase the air pressure to the normal operating level.
- Use the tool in the normal manner.

Hot weather operation

The tool should operate normally. Avoid the heat of direct sunlight to avoid damage to the bumpers, o-rings, and other rubber parts.

Loading the tool (fig. C)



Always connect the tool to the air supply before loading nails.

- Press the pusher release button (11) and pull the magazine (4) rearward.
- Select an appropriate collated nail stick. See "Technical data".
- Insert collated nail stick (s) into the loading slot on top of the magazine.
- Push the magazine forward until it locks in place.

Actuating the tool (fig. D)

These tools are equipped with a trigger/lock-off switch (1). When rotated to the right, this switch prevents the tool from actuating.

When the switch is centred, the tool will be fully operational. The tool can be operated using one of two modes: sequential action mode or bump action mode. The trigger installed on the tool determines the mode of actuation.

Sequential action mode

The sequential action mode is used for intermittent nailing when very careful and accurate placement is desired.

- Fit the grey trigger as described above.
- Push the contact trip against the work surface.
- Pull the trigger to actuate the tool. Each trigger pull with the contact trip pushed against the work surface will drive one nail.

Bump action

The bump action mode is used for rapid nailing on flat, stationary surfaces.

- Fit the black trigger as described above.
- To drive a single nail: Operate the tool as described for sequential action.
- To drive several nails: Pull the trigger first, and then push the contact trip repeatedly against the work surface.



Do not keep the trigger depressed when the tool is not in use. Keep the trigger lock-off switch rotated to the right to prevent accidental actuation when the tool is not in use.

Clearing a jammed nail (fig. E)

If a nail becomes jammed in the nosepiece, follow these instructions to remove the nail:

- Disconnect the airline from the tool.
- Lock the trigger with the trigger lock-off switch.
- Press the pusher release button (11) and pull the magazine (4) rearward.
- Flip up the front latch (12) and move the bracket (13) out of the way so that barrel (14) can be opened.
- Remove the bent nail, using pliers if necessary.
- If the driver blade is in the down position, push the driver blade upward using a screwdriver.
- Close the barrel (14) and put the bracket (13) back in position.
- Press the front latch (12) into the locked position.
- Connect the air hose to the fitting on the tool.
- Load nails into the magazine.
See "Loading the tool".
- Push the magazine forward until it locks in place.



If nails become jammed in the nosepiece frequently, have the tool serviced by an authorised DEWALT service centre.

Depth setting (fig. F)



Always disconnect the tool from the air supply before adjusting the depth setting.

The depth that the nails are driven can be adjusted using the depth adjustment on the nosepiece of the tool.

- To reduce the depth, press the adjustment button (15) and slide the slider switch (16) downward.
- To increase the depth, press the adjustment button (15) and slide the slider switch (16) upward.

Belt/rafter hook

These tools have an integrated belt/rafter hook.

The hook can be rotated to either side of the tool and can be folded out of the way when not in use.

To remove the belt/rafter hook:

- Remove the air hose from the fitting on the tool.
- Use pliers or a wrench to remove the nut for the belt/rafter hook from the end cap of the tool.
- Remove the belt/rafter hook, washer and detent spring.

Maintenance

Your DEWALT tool has been designed to operate over a long period of time with a minimum of maintenance. Continuous satisfactory operation depends on proper tool care and regular cleaning.

Perform the following maintenance operations every day:



Lubricate tool with 5-7 drops of DEWALT pneumatic tool oil

- Insert drops into the air fitting on the end cap of the tool.

Drain all condensation from the air compressor tanks and hoses

- Open petcocks or other drain valves on the compressor tanks.
- Allow any accumulated water to drain from hoses.



Clean magazine, pusher, and contact trip mechanism

- Clean by blowing with compressed air.

Ensure that all fasteners on the tool are tight and undamaged

- Tighten loose fasteners using the appropriate tool.

Troubleshooting

If your tool seems not to operate properly, follow the instructions below. If this does not solve the problem, please contact your repair agent.

Tool does not work

- Check the air supply.
- If the temperature is low, warm the tool up.

Tool has insufficient power

- Check the air supply.
- Check if the air exhaust is clear.
- Lubricate the tool.

Top cap leaks air

- Tighten the cap screws.

Tool skips nails

- Check the air supply.
- Lubricate the tool.
- Clean the magazine and nosepiece.

Fasteners jam in tool

- Make sure only to use fasteners of the type specified.
- Tighten the nosepiece screws.

**Unwanted tools and the environment**

Take your tool to an authorized DEWALT repair agent where it will be disposed of in an environmentally safe way.

GUARANTEE

- **30 DAY NO RISK SATISFACTION GUARANTEE** •

If you are not completely satisfied with the performance of your DEWALT tool, simply return it within 30 days, complete as purchased, to the point of purchase, for a full refund or exchange. Proof of purchase must be produced.

- **ONE YEAR FREE SERVICE CONTRACT** •

If you need maintenance or service for your DEWALT tool, in the 12 months following purchase, it will be undertaken free of charge at an authorized DEWALT repair agent. Proof of purchase must be produced. Includes labour and spare parts for Power Tools. Excludes accessories.

- **ONE YEAR FULL WARRANTY** •

If your DEWALT product becomes defective due to faulty materials or workmanship within 12 months from the date of purchase, we guarantee to replace all defective parts free of charge or, at our discretion, replace the unit free of charge provided that:

- The product has not been misused.
- Repairs have not been attempted by unauthorized persons.
- Proof of purchase date is produced.

This guarantee is offered as an extra benefit and is additional to consumers statutory rights.

For the location of your nearest authorized DEWALT repair agent, please use the appropriate telephone number on the back of this manual. Alternatively, a list of authorized DEWALT repair agents and full details on our after-sales service are available on the Internet at www.2helpU.com.

Belgique et Luxembourg België en Luxemburg	DeWALT Weihoek 1, Nossegem 1930 Zaventem-Zuid	Tel: 02 719 07 11 Fax: 02 721 40 45 www.dewaltbenelux.com
Danmark	DeWALT Hejrevang 26 B 3450 Allerød	Tlf: 70 20 15 30 Fax: 48 14 13 99 www.dewalt-nordic.com
Deutschland	DeWALT Richard-Klinger-Straße 65510 Idstein	Tel: 06126-21-1 Fax: 06126-21-2770 www.dewalt.de
Ελλάς	Black & Decker (Hellas) S.A. Στράβωνος 7 & Βουλιαγμένης 159 Γλυφάδα 16674, Αθήνα	Τηλ: (01) 8981-616 Φαξ: (01) 8983-570 Service: (01) 8982-630
España	DeWALT Parque de Negocios "Mas Blau" Edificio Muntadas, c/Bergadá, 1, Of. A6 08820 El Prat de Llobregat (Barcelona)	Tel: 934 797 400 Fax: 934 797 439
France	DeWALT Le Paisy BP 21, 69571 Dardilly Cedex	Tel: 472 20 39 72 Fax: 472 20 39 02
Helvetia Schweiz	DeWALT ROFO Kundendienst Gewerbezone Seeblick 3213 Kleinbödingen	Tel: 026 - 674 93 93 Fax: 026 - 674 93 94 www.dewalt.ch
Ireland	DeWALT Calpe House Rock Hill Black Rock, Co. Dublin	Tel: 00353-2781800 Fax: 00353-2781811
Italia	DeWALT Viale Elvezia 2 20052 Monza (Mi)	Tel: 0800-014353 Fax: 039-2387592
Nederland	DeWALT Florijnstraat 10 4879 AH Etten-Leur	Tel: 076 50 02 000 Fax: 076 50 38 184 www.dewalt.benelux.com
Norge	DeWALT Strømsveien 344 1011 Oslo	Tel: 22 99 99 00 Fax: 22 99 99 01 www.dewalt-nordic.com
Österreich	DeWALT Werkzeugevertriebs GmbH Erlaaerstraße 165, Postfach 320,1231 Wien	Tel: 01 - 66116 - 0 Fax: 01 - 66116 - 14 www.dewalt.at
Portugal	DeWALT Rua Egas Moniz 173 João do Estoril, 2766-651 Estoril	Tel: 214 66 75 00 Fax: 214 66 75 75
Suomi	DeWALT Palotie 3 01610 Vantaa	Puh: 98 25 45 40 Fax: 98 25 45 444 www.dewalt-nordic.com
	Brandvägen 3 01610 Vanda	Tel: 98 25 45 40 Fax: 98 25 45 444 www.dewalt-nordic.com
Sverige	DeWALT Box 603 421 26 Västra Frölunda, Besöksadr. Ekonomivägen 11	Tel: 031 68 61 00 Fax: 031 68 60 08 www.dewalt-nordic.com
Türkiye	DeWALT Merkez Mahallesi, Köyaltı Mevkii, Şahnur Sokak (OTTO Binası) 34530 Yenibosna/İstanbul (PBX)	Tel: 021 26 39 06 26 Faks: 021 26 39 06 35
United Kingdom	DeWALT 210 Bath Road Slough, Berks SL1 3YD	Tel: 01753-56 70 55 Fax: 01753-57 21 12