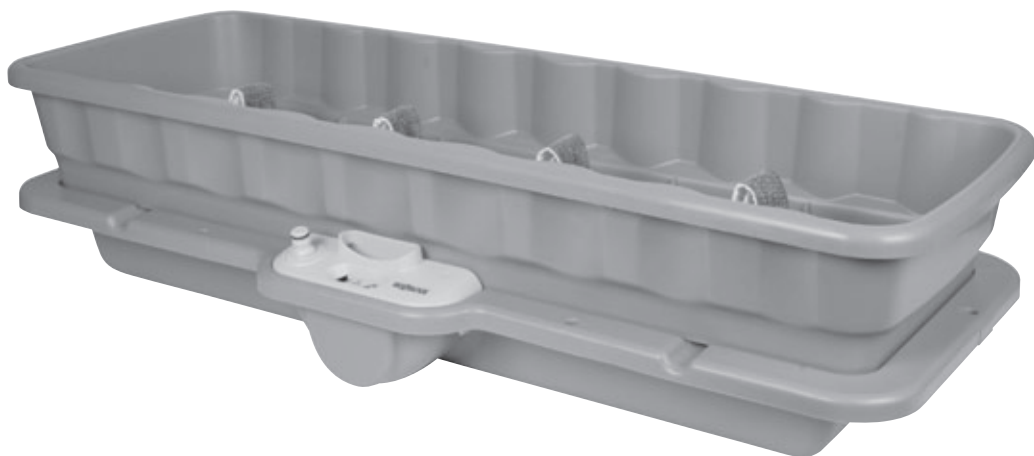


HOZELOCK

2811

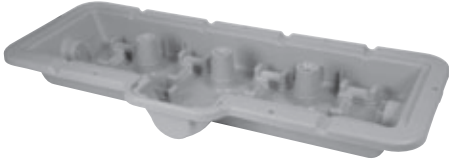
Flower & Vegetable Waterer

A diagram illustrating customer service: a person with a question mark in a speech bubble is shown next to a computer monitor displaying 'www.hozelock.com'. An arrow points from the person to the monitor. Another arrow points from the monitor to a person holding a box labeled 'HOZELOCK'.

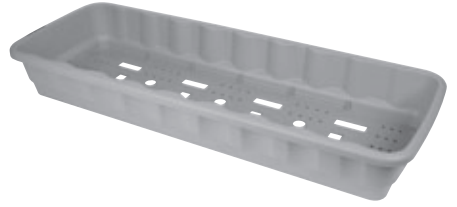
HOZELOCK Ltd.
Midpoint Park, Birmingham,
B76 1AB, England
Tel: +44 (0) 121 313 1122

www.hozelock.com
33895-000

Contents



A x 1



B x 1



C x 4



D x 4

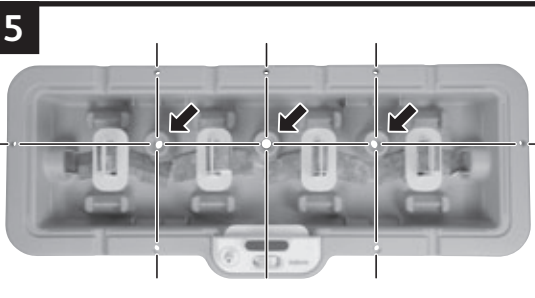
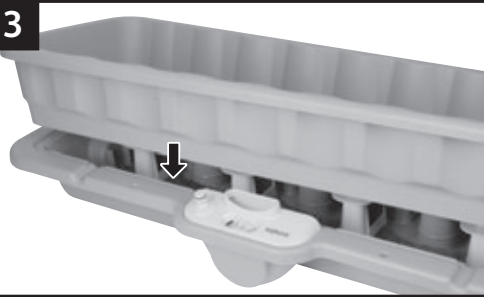
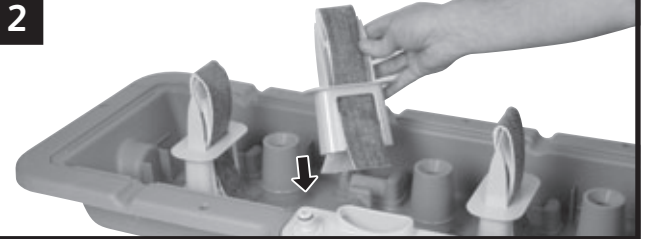


E x 1



F x 1

Assembly



Contents

- | | |
|----------------------|----------------------------|
| A Reservoir | B Planter |
| C Spikes x 4 | D Wick Material x 4 |
| E Filler Door | F Breather Fabric |

*Throw away the sachet of desiccant (silica gel) included with the packaging.

Assembly and User Guide

- Thread wick material through spikes (Repeat x 4) (Fig. 1.)
- Push spikes into position on the reservoir (Fig. 2)
- Position your reservoir in a location that is stable, flat and suitable for your plants. (Note: due to the heavy weight it should not be moved once the set up is complete).
- Place the planter on to the reservoir. (Fig. 3)
- Lay the breather fabric in the planter (Fig. 4) and at the same time push the spikes through the slits in the fabric so that it is flat on the bottom. Ensure that all holes on the bottom of the planter are covered by the fabric.
- Fill with a suitable compost to just below the lip of the planter.
- If your plants require support, it is a good idea to fit canes now (Fig. 5)
- Holes on the edge of the reservoir line up to show the position of the cane support holes.

Tip: Use the thin end of the cane to help locate hole, then turn the cane back round.

Important: Your cane should be no bigger than 15mm in diameter.

Planting Tips

Plan where you are going to position your planter so that the plants have enough space to grow.

Press down on compost once planting is completed. Compost needs to be touching the wick to work properly.

Lightly water plants from above after planting to help give the plants a kick start and to settle the compost for the wick system.

Most plants can be grown in the Flower & Vegetable Waterer, including;

- | | |
|--------------|----------------|
| • Tomatoes | • Strawberries |
| • Courgettes | • Lettuce |
| • Herbs | • Runner beans |
| • Peas | • Flowers |
| • Cucumber | • Cabbage |
| • Spinach | |

For more growing hints & tips visit www.hozelock.com

Filling the reservoir

The reservoir holds 15 litres of water and can be filled either with a watering can through the window on the filler door or with a hose pipe using a connector. The water level indicator wheel will move round as it is being filled. The reservoir is full when the Dial shows Max. (Fig. 6).

max

When do I need to refill?

The water can be topped up at any time but should always be filled up again once you can see the tap and water drop on the wheel. (Fig. 6)



How often do I refill?

This is dependent on where your planter is set up, the temperature, type of plants and the maturity of your plants. Check the water indicator regularly.

Feeding your plants

Liquid feed can be added directly into the reservoir or into the compost once it has been premixed with water according to manufactures instructions.

End of the growing season

The planter must be lifted off the reservoir and remove spikes, wicks and breather fabric. Wash all components thoroughly and allow to dry before storing indoors over winter. Hozelock recommends replacing the wick material and breather fabric with a new set each year. For spares and accessories, please visit www.hozelockservice.com

Contact

For product advice please contact:

Hozelock Consumer Services,
Hozelock Ltd., Midpoint Park, Birmingham. B76 1AB.

Tel: 0121 313 1122

www.hozelock.com

FREE HOZELOCK MONTHLY
PRIZE DRAW

To enter your chance to win, visit:
www.hozelock.com/win

HOZELOCK

Hozelock Ltd.
Midpoint Park, Birmingham,
B76 1AB, England
Tel: +44 (0) 121 313 1122

www.hozelock.com

33895-000