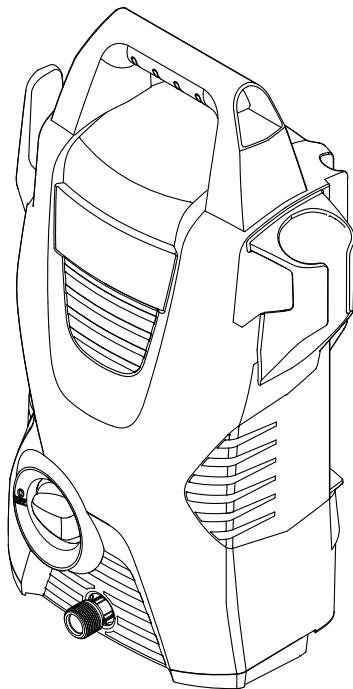


Operating Instructions

Before first use of the unit
read these operating instructions
and act in accordance with them.





Contents

General information	3
Safety instructions	4
Description of the Appliance	6
Operation	7
Transport	8
Storage	9
Maintenance and care	9
Troubleshooting	10
Helpline	10
Technical specifications	11
EC Declaration of Conformity	11
Spare Parts	12

General information

Dear Customer,

  Please read and comply with these original instructions prior to the initial operation of your appliance and store them for later use or subsequent owners.

Scope of delivery

The scope of delivery of your appliance is illustrated on the packaging. Check the contents of the appliance for completeness when unpacking.

In the event of missing accessories or any transport damage, please contact your dealer.

Proper Use

This high-pressure cleaner is designed for domestic use only:

- to clean machines, vehicles, buildings, tools, facades, terraces, garden equipment etc. using a high-pressure water jet (and detergents if required).
- with accessories, replacement parts and detergents approved by KÄRCHER. Observe the instructions provided with these detergents.

Symbols in the operating instructions

Danger

Immediate danger that can cause severe injury or even death.

Warning

Possible hazardous situation that could lead to severe injury or even death.

Caution

Possible hazardous situation that could lead to mild injury to persons or damage to property.

Symbols on the machine




The high pressure jet may not be directed at persons, animals, live electrical equipment or at the appliance itself. Protect the appliance against frost.

Environmental protection



The packaging material can be recycled. Please do not place the packaging into the ordinary refuse for disposal, but arrange for the proper recycling.



Old appliances contain valuable materials that can be recycled. Please  arrange for the proper recycling of old appliances. Please dispose your old appliances using appropriate collection systems.

Notes about the ingredients (REACH)

You will find current information about the ingredients at:

www.kaercher.com/REACH

Warranty

The warranty terms published by the relevant sales company are applicable in each country. We will repair potential failures of your appliance within the warranty period free of charge, provided that such failure is caused by faulty material or defects in manufacturing. In the event of a warranty claim please contact your dealer or the nearest authorized Customer Service centre. Please submit the proof of purchase.

Safety instructions

⚠ Danger

- *Never touch the mains plug and the socket with wet hands.*
- *The appliance must not be used if the power cord or important parts of the appliance, e.g. high-pressure hoses, trigger gun or safety devices are damaged.*
- *Check the power cord and mains plug for damage before every use. If the power cord is damaged, please arrange for it to be replaced immediately by an authorised repair agent or a skilled electrician.*
- *Check the high-pressure hose for damage before every use. Please arrange for the immediate replacement of a damaged high-pressure hose.*
- *The appliance may not be used in areas where a risk of explosion is present.*
- *If the appliance is used in hazardous areas (e.g. filling stations) the corresponding safety provisions must be observed.*
- *High-pressure jets can be dangerous if improperly used. The jet must not be directed at persons, animals, live electrical equipment or at the appliance itself.*
- *The high-pressure jet must not be directed at other persons or directed by the user at him/herself to clean clothing or footwear.*
- *Never use the appliance to clean objects containing hazardous substances (e.g. asbestos).*
- *Vehicle tyres or tyre valves are susceptible to damage from the high-pressure jet and may burst. The first indication of this is a discolouration of the tyre. Damaged vehicle tyres/tyre valves are highly dangerous. Ensure that a distance of at least 30 cm is observed when cleaning with the jet!*
- *Risk of explosion!
Do not spray flammable liquids.
Never draw in fluids containing solvents or undiluted acids and solvents! This includes petrol, paint thinner and heating*

oil. The spray mist thus generated is highly inflammable, explosive and poisonous. Do not use acetone, undiluted acids and solvents as they are damaging to the materials from which the appliance is made.

⚠ Warning

- *The mains plug and the coupling of an extension cable must be watertight and must never lay in the water.*
- *Unsuitable extension cables can be hazardous. Only use extension cables outdoors which have been approved for this purpose and labelled with a sufficient cable cross-section:
1 - 10 m: 1.5 mm²; 10 - 30 m: 2.5 mm²*
- *Always fully unroll electrical cables from the cable drum.*
- *High-pressure hoses, fixtures and couplings are important for the safety of the appliance. Only use high-pressure hoses, fixtures and couplings recommended by the manufacturer.*
- *This appliance is not intended for use by persons with reduced physical, sensory or mental capabilities.
The appliance must not be operated by children or persons who have not been instructed accordingly.
Children should be supervised to prevent them from playing with the appliance.*
- *Keep packaging film away from children - risk of suffocation!*
- *This appliance was designed to be used with detergents which are supplied or recommended by the manufacturer. The use of other detergents or chemicals may compromise the safety of the appliance.*
- *The operator must use the appliance correctly. When working with the appliance, he must consider the local conditions and pay due care and attention to other persons, in particular children, who are nearby.*
- *Do not use the appliance when there are other persons around unless they are also wearing safety equipment.*

- *Wear protective clothing and safety goggles to protect against splash back containing water or dirt.*

Caution

- *In case of extended downtimes, switch the appliance off at the main switch / appliance switch or remove the mains plug.*
- *Do not operate the appliance at temperatures below 0 °C.*
- *Observe a distance of at least 30 cm when using the jet to clean painted surfaces to avoid damaging paintwork.*
- *Never leave the appliance unattended when it is in operation.*
- *Make sure that the power cable or extension cables are not damaged by running over, pinching, dragging or similar. Protect the power cable from heat, oil, and sharp edges.*
- *All current-conducting parts in the working area must be protected against jet water.*
- *The appliance may only be connected to an electrical supply which has been installed in accordance with IEC 60364.*
- *The appliance may only be connected to alternating current. The voltage must correspond with the type plate on the appliance.*
- *For safety reasons, we recommend that you operate the appliance only via a earth-leakage circuit breaker (max. 30 mA).*
- *Cleaning operations which produce oily waste water, e.g. engine washes, underbody washes, may only be carried out using washing stations equipped with an oil separator.*

High pressure hose

The high pressure hose is specially constructed with reinforced walls to handle water pressure up to 11 MPa (1600 psi) - it can be easily damaged and should be stored carefully.

- *Do not kink.*
- *Do not drive vehicles over the hose.*
- *Do not expose the hose to sharp edges or corners.*

Misuse will lead to ballooning or premature failure and will invalidate warranty.

Safety Devices

Caution

Safety devices protect the user and must not be modified or bypassed.

Power switch

The appliance switch prevents unintentional operation of the appliance.

Lock trigger gun

This lock locks the lever of the trigger gun and prevents the inadvertent start of the appliance.

Overflow valve with pressure switch

If the lever on the trigger gun is released the pressure switch turns off the pump, the high-pressure jet is stopped. If the lever is pulled the pump is turned on again.

Prerequisites for the appliance's stability

Caution

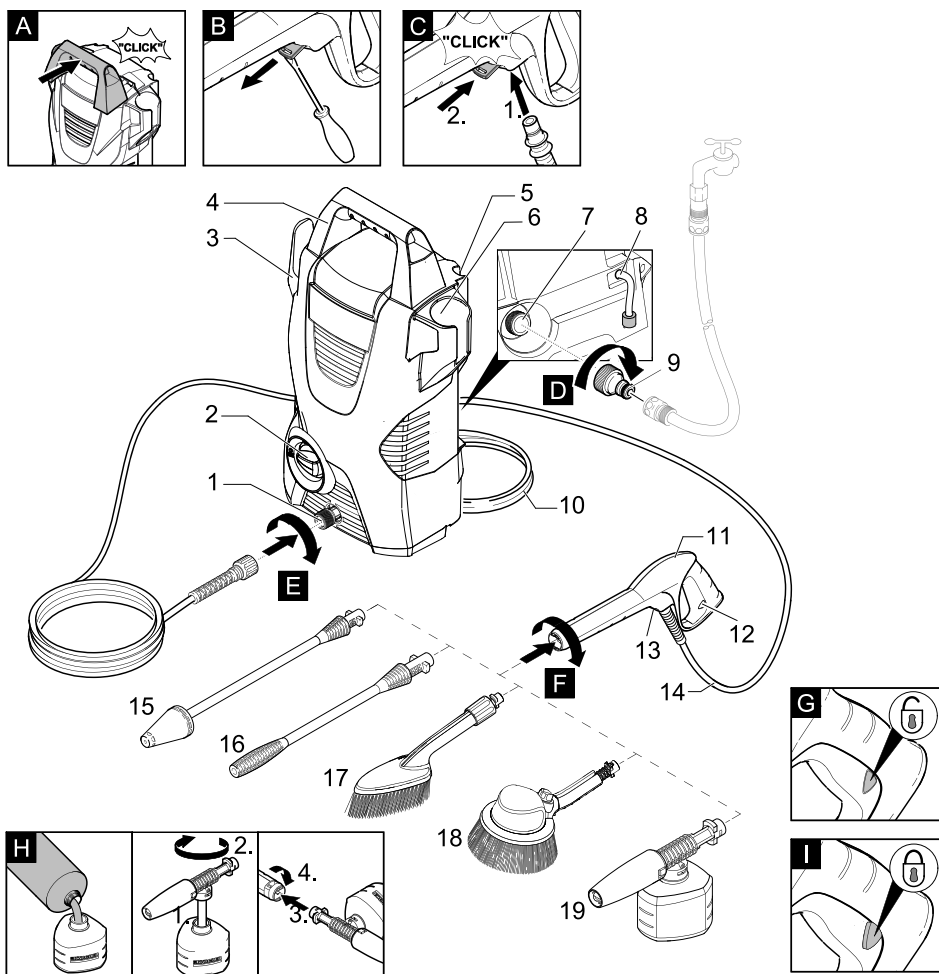
Create stability for the appliance prior to all work on or with the appliance to prevent accidents or damage.

- The stability of the appliance is warranted when it is placed onto an even surface.

Description of the Appliance

These operating instructions describe the maximum equipment. Depending on the model, there are differences in the scopes of delivery (see packaging).

- | | |
|--|---|
| <ul style="list-style-type: none"> 1 High pressure connection 2 Appliance switch "0/OFF"/ „I/ON“ 3 Storage hook for high pressure hose and mains connection cable 4 Carrying handle 5 Storage for spray lance 6 Storage for trigger gun 7 Water connection with integrated sieve 8 Detergent suction hose (with sieve) | <ul style="list-style-type: none"> 9 Coupling element for water connection 10 Mains cable with mains plug 11 Trigger gun 12 Lock trigger gun 13 Clamp for high pressure hose 14 High pressure hose 15 Spray lance with Dirtblaster 16 Spray lance with high pressure nozzle <p>Optional accessories</p> <ul style="list-style-type: none"> 17 Washing brush 18 Rotary washing brush 19 Foam nozzle with detergent container |
|--|---|



Operation

Before Startup

Mount loose parts delivered with appliance prior to start-up.

Illustrations on Page 3

Illustration **A**

→ Attach the carrying handle.

Illustration **B**

→ Pull out the clamp for the high-pressure hose from the hand spray gun (e.g. a Philips screwdriver).

Illustration **C**

→ Connect high pressure hose to trigger gun.
→ Push the clamp in until it locks. Check the secure connection by pulling on the high-pressure hose.

Illustration **D**

→ Screw the coupling element to the water connection on the appliance.

Water supply

According to the applicable regulations, the appliance must never be used on the drinking water supply without a system separator. Use a suitable system separator manufactured by KÄRCHER; or, as an alternative, a system separator as per EN 12729 Type BA. Water flowing through a system separator is considered non-drinkable.



Caution

Always connect the system separator to the water supply, never directly to the appliance!

Note: Impurities in the water can damage the high-pressure pump and accessories. For protection, the use of the KÄRCHER water filter (optional accessory, order no. 4.730-059) is recommended.

Water supply from mains

Observe regulations of water supplier. For connection values, see type plate/technical data.

→ Use a fibre-reinforced water hose (not included) with a standard coupling. (Minimum diameter 1/2 inch (13 mm), minimum length 7.5 m).

→ Push the water supply hose onto the coupling unit, then connect it to the water supply.

Start up

Caution

Dry runs lasting longer than two minutes lead to damages to the high pressure pump. If the appliance does not build up pressure within two minutes, switch it off and proceed as instructed in the Chapter "Troubleshooting".

Illustration **E**

→ Connect the high pressure hose to the high pressure connection of the appliance.

Illustration **F**

→ Push the spray lance into the trigger gun and fasten it by turning it through 90°.
→ Completely open the water tap.
→ Insert the mains plug into the socket.
→ Turn on the appliance "I/ON".

Operation

⚠ Danger

The trigger gun is subjected to a recoil force when the water jet is discharged. Make sure that you have a firm footing and are also holding the trigger gun and spray lance firmly.

Illustration **G**

→ Unlock the lever on the trigger gun.
→ Pull on the lever of the trigger gun; the device will switch on.

Note: Release the lever of the trigger gun; the device will switch off again. High pressure remains in the system.

Spray lance with high pressure nozzle

For normal cleaning tasks.
Not suitable for use with detergents.

Spray lance with Dirtblaster

For particularly dirty items or areas.
Not suitable for use with detergents.

Caution

Car tyres, paint or sensitive surfaces such as wood should not be cleaned with the dirt blaster, as there is a risk of damage.

Washing brush

Suitable for use with detergents.

Rotary washing brush

Suitable for use with detergents.

The rotating washing brush is ideally suited for the cleaning of vehicles.

Caution

Please make sure that the washing brush is free from dirt or other particles. Otherwise, it may damage the paint work.

Working with detergent

Please use exclusively KÄRCHER detergents and care products to carry out the respective cleaning task, as these were specifically developed for your appliance.

The use of other detergents and care products may lead to premature wear and can invalidate your warranty claims. Please obtain information at your local dealer or request information directly from KÄRCHER.

- Pull detergent suction hose as far as is required out of the housing.
- Suspend end of detergent suction hose in a container filled with detergent.
- Detach spray lance from the trigger gun. Work only with the trigger gun.

Note: This will mix the detergent with the water stream.


Recommended cleaning method

- Spray the detergent sparingly on the dry surface and allow it to react, but not to dry.
- Spray off loosened dirt with the high-pressure jet.

Optional

Foam nozzle


With powerful foam for effortless cleaning.

Illustration 

- Fill the detergent solution in the detergent tank of the foam nozzle (observe dosage instructions on the packaging of the detergent).
- Connect the detergent tank to the foam nozzle.
- Connect the foam nozzle to the trigger gun.

Note: This will mix the detergent with the water stream.


Interrupting operation

- Release the lever on the trigger gun.
- Illustration 
- Lock the lever on the trigger gun.
- During longer breaks (more than 5 minutes), also turn the appliance off using the "0/OFF" switch.
- Insert the trigger gun in its holder.

Finish operation

Caution

Only separate the high-pressure hose from the trigger gun or the appliance while there is no pressure in the system.

- After operation with detergent: Run the machine for approximately 1 minute for a clear rinse.
- Release the lever on the trigger gun.
- Turn off the appliance "0/OFF".
- Turn off tap.
- Press the lever on the trigger gun to release any remaining pressure in the system.
- Detach the appliance from the water supply.
- Illustration 
- Lock the lever on the trigger gun.
- Pull out the mains plug.

Transport

Caution

In order to prevent accidents or injuries, keep in mind the weight of the appliance during transport (see Specifications).

When transporting by hand

- Lift appliance by the carrying handle and carry it.

When transporting in vehicles

- Secure the appliance against shifting and tipping over.

Storage

Caution

In order to prevent accidents or injuries, keep in mind the weight of the appliance when selecting a storage location for it (see Specifications).

Storing the Appliance

Prior to extended storage periods, as during the winter, also observe the instructions in the Care section.

- ➔ Park the machine on an even surface.
- ➔ Engage the spray lance in its compartment.
- ➔ Insert the trigger gun in its holder.
- ➔ Stow away the mains cable, the high-pressure hose and accessory at the appliance.

Frost protection

Caution

Protect the appliance and its accessories against frost.

The appliance and its accessories can get destroyed through frost if there are any water residues in them. To avoid damage to them:

- ➔ Completely drain all water from the appliance: Switch the appliance on with detached high-pressure hose and detached water supply (max. 1 minute) and wait, until no more water exits at the high-pressure connection. Turn off the appliance.
- ➔ Store the appliance and the entire accessories in a frost-safe room.

Maintenance and care

⚠ Danger

Turn off the appliance and remove the mains plug prior to any care and maintenance work.

Maintenance

The appliance is maintenance-free.

Care

Prior to longer periods of storage, e.g. in the winter:

- ➔ Remove filter from suction hose for detergent and clean under running water.
- ➔ Pull out the sieve in the water connection using flat-nose pliers and clean under running water.

Spare parts

Use only original KÄRCHER spare parts. You will find a list of spare parts at the end of these operating instructions.

Special accessories

Special accessories expand the possibilities of using your appliance. Please contact your KÄRCHER dealer for further information.

Troubleshooting

You can rectify minor faults yourself with the help of the following overview.

If in doubt, please consult the authorized customer service.

Danger

Turn off the appliance and remove the mains plug prior to any care and maintenance work.

Repair works may only be performed by the authorized customer service.

Appliance is not running

- ➔ Pull on the lever of the trigger gun; the device will switch on.
- ➔ Check whether the voltage indicated on the type plate corresponds to the voltage of the mains supply.
- ➔ Check the mains connection cable for damages.

Pressure does not build up in the appliance

- ➔ Appliance ventilation: Switch the appliance on with the high-pressure hose detached and operate (max. 2 minutes) until the water exits the high-pressure connection without bubbles. Switch off appliance and reconnect high-pressure hose.
- ➔ Check the water supply.
- ➔ Pull out the sieve in the water connection using flat-nose pliers and clean under running water.

Strong pressure fluctuations

- ➔ Clean high-pressure nozzle: Remove dirt and debris from the nozzle bore, using a needle and rinse through with water from the front.
- ➔ Check water flow quantity.

Appliance is leaking

- ➔ Slight leakage from the appliance pump is normal. If the leakage increases contact the authorized customer service.

No detergent infeed

- ➔ Remove the spray lance from the hand spray gun and work with the hand spray gun only or use the spray lance with pressure regulation and turn to "Mix".
- ➔ Clean the detergent suction hose filter.
- ➔ Check the detergent suction hose for kinks.

Helpline

KÄRCHER UK Limited operates a helpline allowing customers to discuss any problems experienced with our products. The helpline operates during normal business hours and may be busy at peak periods. If you have difficulty getting through we would ask that you try to contact us again later in the day.

The helpline number is 01295 752200, open from 8.30 am to 5.00 pm Monday to Friday.

It helps us if you have the model number and data plate details to hand before making your call so that we can assist you with your query more effectively.

Alternatively you may write to us at the address below:

KÄRCHER UK Ltd
Kärcher House
Beaumont Road
Banbury
Oxon, OX16 1TB

or E-mail us:

info@karcher.co.uk

Technical specifications

Electrical connection

Voltage 220-240 V
1~50/60 Hz

Power consumption 6 A

Protection class IP X5

Protective class II □

Mains fuse (slow-blow) 13 A

Water connection

Feed pressure 0,2-1,2 MPa

Max. feed temperature 40 °C

Min. feed volume 7 l/min

Performance data

Working pressure 8 MPa

Max. permissible pressure 11 MPa

Water flow rate 5,2 l/min

Detergent flow rate 0,3 l/min

Recoil force of trigger gun 11 N

Dimensions and weights

Length 280 mm

Width 176 mm

Height 443 mm

Weight, ready to operate with accessories 4,7 kg

Values determined as per EN 60335-2-79

Hand-arm vibration value <2,5 m/s²

Uncertainty K 0,3 m/s²

Sound pressure level L_{pA} 75 dB(A)

Uncertainty K_{pA} 3 dB(A)

Sound power level L_{WA} + Uncertainty K_{WA} 91 dB(A)

Subject to technical modifications!

EC Declaration of Conformity

We hereby declare that the machine described below complies with the relevant basic safety and health requirements of the EU Directives, both in its basic design and construction as well as in the version put into circulation by us. This declaration shall cease to be valid if the machine is modified without our prior approval.

Product: High-pressure cleaner

Type: 1.673-xxx

Relevant EU Directives

2006/42/EC (+2009/127/EC)

2004/108/EC

2000/14/EC

2011/65/EC

Applied harmonized standards

EN 50581

EN 55014-1: 2006+A1: 2009+A2: 2011

EN 55014-2: 1997+A1: 2001+A2: 2008

EN 60335-1

EN 60335-2-79

EN 61000-3-2: 2006+A1: 2009+A2: 2009

EN 61000-3-3: 2008

EN 62233: 2008

Applied conformity evaluation method

2000/14/EC: Appendix V


Sound power level dB(A)

Measured: 89

Guaranteed: 91

The undersigned act on behalf and under the power of attorney of the company management.


H. Jenner
CEO

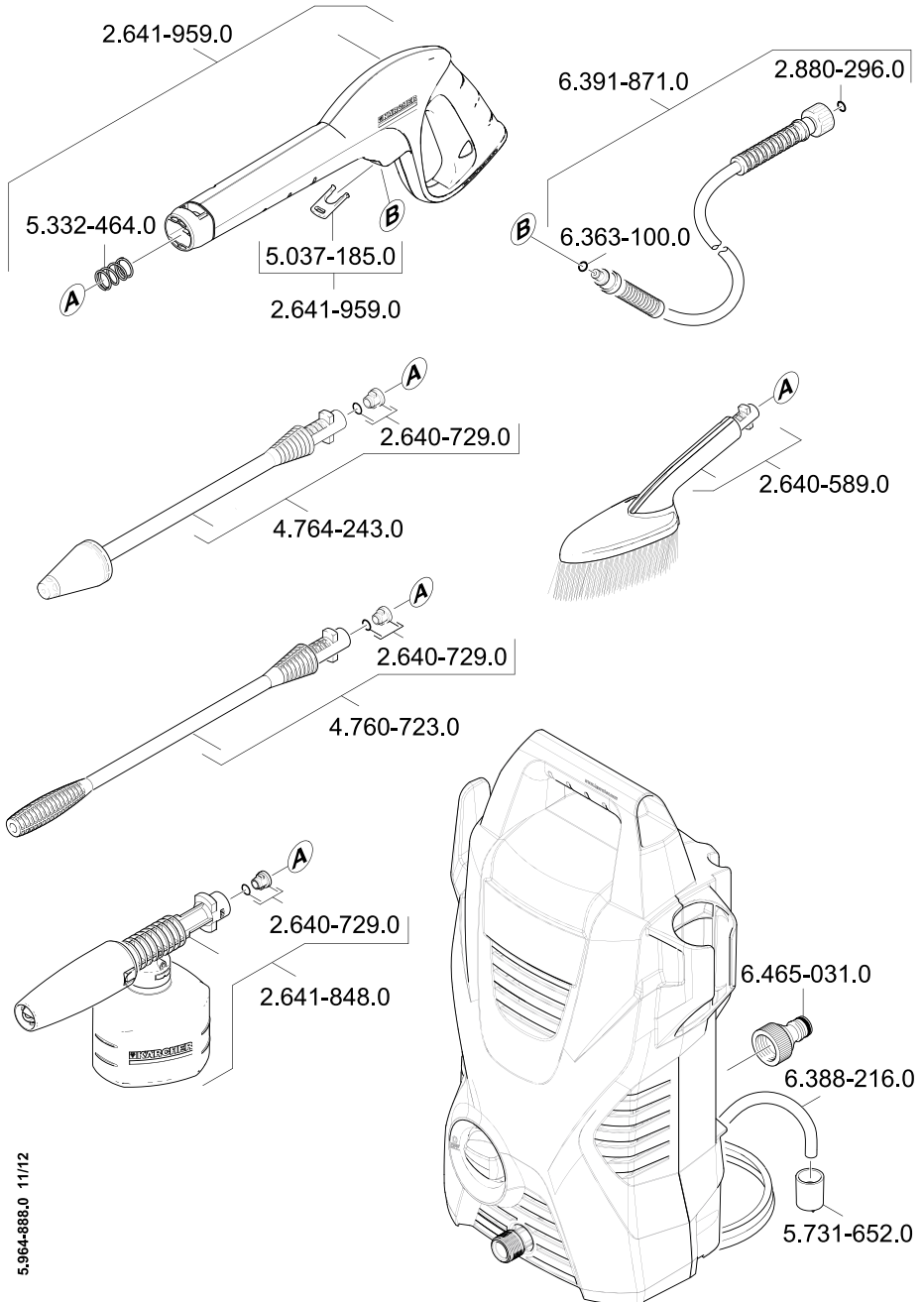

S. Reiser
Head of Approval

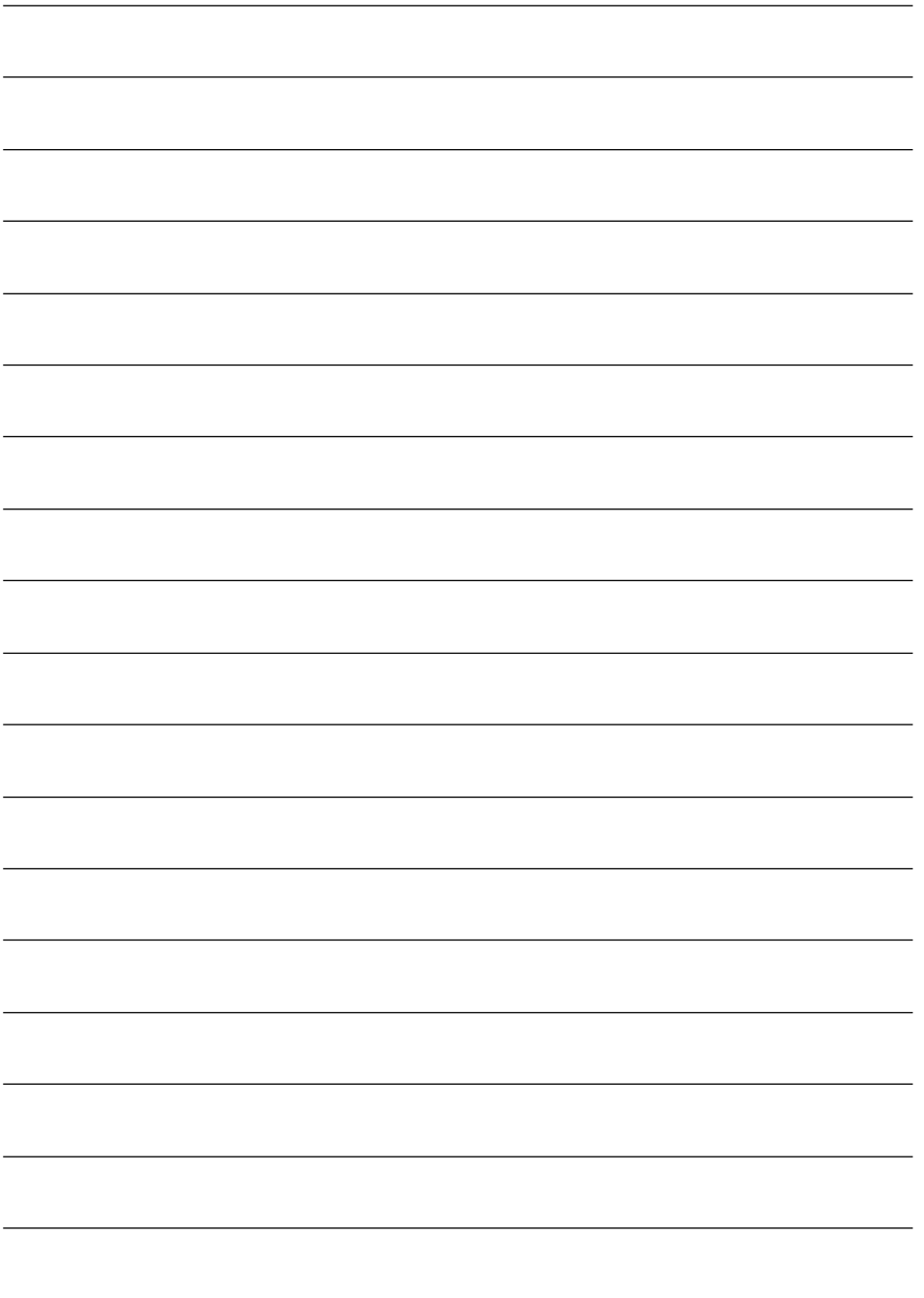
Authorised Documentation Representative
S. Reiser

Alfred Kärcher GmbH Co. KG
Alfred-Kärcher-Str. 28 - 40
71364 Winnenden (Germany)
Phone: +49 7195 14-0
Fax: +49 7195 14-2212

Winnenden, 2012/11/01

Spare Parts





البيانات الفنية

التوصيل الكهربائي		
V	240-220	الجهد الكهربائي
Hz	60/50~1	
أ	6	استهلاك التيار الكهربائي
	IP X5	درجة الحماية
☐	II	فئة الحماية
أ	13	منصهرات التغذية الكهربائية الرئيسية (الوضع الساكن)
وصلة المياه		
ميغا باسكال	1,2-0,2	ضغط الإمداد
درجة مئوية	40	درجة حرارة التدفق (الحد الأقصى)
لتر/دقيقة	7	كمية التدفق (الحد الأدنى)
بيانات القدرة		
ميغا باسكال	8	ضغط العمل
ميغا باسكال	11	أقصى ضغط مسموح به
لتر/دقيقة	5,2	كمية تدفق المياه
لتر/دقيقة	0,3	كمية تدفق مواد التنظيف
نيوتن	11	قوة ارتداد مسدس الرش اليدوي
المقاييس والأوزان		
مم	280	الطول
مم	176	العرض
مم	443	الارتفاع
كجم	4,7	الوزن والجهاز جاهز للعمل مع الملحقات التكميلية
القيم المحتملة طبقاً للمواصفة 79-2-EN 60335		
م/ث ²	2,5>	قيمة اهتزاز ذراع اليد
م/ث ²	0,3	الشك K
ديسيبل (أ)	75	مستوى ضغط الصوت p _A L
ديسيبل (أ)	3	الشك p _A K
ديسيبل (أ)	91	مستوى قدرة الصوت w _A L + الشك w _A K

جميع حقوق إدخال تعديلات فنية محفوظة!

تذبذب الضغط بقوة

- تنظيف منفث الضغط العالي: يتم إزالة القاذورات من فتحة المنفث باستخدام إبرة وتُغسل الفتحة بالماء بحيث يكون الغسل من الناحية الأمامية.
- يتم التحقق من كمية تدفق الماء.

التسرب من الجهاز

- إن حدوث تسرب طفيف من الجهاز يعد أمراً حتمياً من الناحية الفنية. في حالة زيادة نسبة التسرب عن ذلك يلزم الرجوع إلى خدمة العملاء المعتمدة.

لا يتم شفط مواد التنظيف.

- أفضل أنبوب الشعاع عن مسدس الرش اليدوي ولا تعمل إلا باستخدام مسدس الرش اليدوي أو استخدام أنبوب الشعاع مع منظم الضغط ولفه إلى أن يصل لوضع "الحد الأقصى" / Mix.
- يتم تنظيف الفلتر الموجود بخرطوم شفط مواد التنظيف.
- يجب التحقق من مواضع التعقد والاتواء بخرطوم شفط مواد التنظيف.

المساعدة عند حدوث أعطال

يمكنك إصلاح الأعطال البسيطة بنفسك مع الاستعانة بالعرض العام التالي.
في حالة الشك في وجود عطل برجاء التوجه إلى خدمة العملاء المعتمدة.



يجب غلق الجهاز وسحب القابس الكهربائي في كل مرة قبل القيام بأعمال العناية والصيانة.
غير مسموح بإجراء الإصلاحات واستخدام المكونات الكهربائية بالجهاز إلا لمركز خدمة العملاء المعتمد.

الجهاز لا يعمل

- اجذب ذراع مسدس الرش اليدوي، فيتم تشغيل الجهاز.
- تحقق من تطابق الجهد المدون على لوحة الصنع مع جهد مصدر التيار.
- يجب التحقق من عدم وجود تلفيات بوصلة سلك التوصيل الرئيسي.

الجهاز لا يصدر أي ضغط.

- تصريف الهواء من الجهاز: قم بتشغيل الجهاز بدون توصيل خرطوم الضغط العالي وانتظر (دقيقتين كحد أقصى)، حتى تخرج المياه من وصلة الضغط العالي خالية من الفقاعات الهوائية. قم بإيقاف الجهاز وتوصيل خرطوم الضغط العالي مرة أخرى.
- تحقق من مصدر الإمداد بالماء.
- اسحب المصفاة الموجودة بوصلة الماء للخارج باستخدام زردية مفلطحة ونظفها بالماء الجاري

الإمداد بالماء (لمدة دقيقة بحد أقصى) ثم انتظر حتى يتوقف خروج الماء تماما من وصلة الضغط العالي. قم بإيقاف تشغيل الجهاز.

- يتم حفظ الجهاز وملحقاته كاملة في مكان ضد التجمد.

العناية والصيانة



يجب غلق الجهاز وسحب القابس الكهربائي في كل مرة قبل القيام بأعمال العناية والصيانة.

الصيانة

الجهاز لا يتطلب صيانة.

العناية

- قبل التخزين لفترات طويلة، على سبيل المثال في فصل الشتاء:
- اسحب الفلتر من خرطوم شفط مواد التنظيف ونظفه تحت الماء الجاري.
 - اسحب المصفاة الموجودة بوصلة الماء للخارج باستخدام زردية مفلطحة ونظفها بالماء الجاري

قطع الغيار

لا تستخدم سوى قطع الغيار الأصلية من KARCHER. ستجد في نهاية دليل التشغيل هذا نظرة عامة على قطع الغيار.

ملحقات خاصة

تزيد الملحقات الخاصة من إمكانيات استخدام جهازك. يمكنك الحصول على مزيد من المعلومات بهذا الصدد لدى وكيل KARCHER لديك.

النقل اليدوي

- ارفع الجهاز من مقبض الحمل واحمله.

النقل في سيارات

- قم بتأمين الجهاز ضد الانزلاق والانقلاب.

التخزين



احترس

لتجنب وقوع حوادث أو إصابات يجب مراعاة وزن الجهاز عند اختيار مكان التخزين (انظر البيانات الفنية).

تخزين الجهاز

قبل تخزين الجهاز لفترة طويلة، في الشتاء مثلاً، يجب أيضاً مراعاة الإرشادات الواردة في فصل العناية.

- قم بإيقاف الجهاز على أرضية مستوية.
- احتفظ بأنبوب الشعاع في مكان حفظ أنبوب الشعاع.
- يتم إدخال مسدس الرش اليدوي في مكان الحفظ الخاص به.
- قم بتخزين وصلة سلك التوصيل الرئيسي وخرطوم الضغط العالي والملحقات بالجهاز.

الحماية من التجمد



احترس

يجب حماية الجهاز والملحقات من التجمد.

يتلف الجهاز والملحقات تحت تأثير التجمد في حالة عدم تفريغ الماء تماماً من أي منهما. من أجل تجنب حدوث أي تلفيات:

- قم بتفريغ الجهاز دائماً من المياه: قم بتشغيل الجهاز بدون توصيل خرطوم الضغط العالي وبدون توصيل مصدر

ملحوظة: وهكذا يُضاف محلول مواد التنظيف إلى شعاع الماء عند التشغيل.

قطع التشغيل

- قم بتحريك ذراع مسدس الرش اليدوي.
- صورة إيضاحية
- أحكم إغلاق ذراع مسدس الرش اليدوي.
- ومع زيادة طول فترات توقف العمل (أكثر من 5 دقائق) يتم إيقاف تشغيل الجهاز من مفتاح الجهاز „0/“ OFF
- يتم إدخال مسدس الرش اليدوي في مكان الحفظ الخاص به.

إنهاء التشغيل



احترس

لا يتم فصل خرطوم الضغط العالي إلا من مسدس الرش اليدوي أو من الجهاز إلا في حالة عدم توفر الضغط بالنظام.

- بعد العمل باستخدام مواد التنظيف: قم بتشغيل الجهاز لمدة حوالي دقيقة لغسله.
- قم بتحريك ذراع مسدس الرش اليدوي.
- قم بإيقاف تشغيل الجهاز بالضغط على „0/“ OFF
- أغلق صنبور المياه
- يتم ضغط ذراع مسدس الرش اليدوي للتخلص من الضغط المتبقي في النظام.
- افصل الجهاز عن مصدر الإمداد بالمياه.
- صورة إيضاحية
- أحكم إغلاق ذراع مسدس الرش اليدوي.
- اسحب السلك الكهربائي.

النقل



احترس

لتجنب وقوع حوادث أو إصابات يجب مراعاة وزن الجهاز عند نقله (انظر البيانات الفنية).

التشغيل



بتأثير شعاع الماء الخارج بمنفت الضغط العالي تؤثر قوة ارتدادية على مسدس الرش اليدوي. يجب الحرص على الوقوف الآمن وإحكام تثبيت مسدس الرش اليدوي وأنبوب الشعاع.

صورة إيضاحية

- قم بتحريك ذراع مسدس الرش اليدوي.
 - اسحب الذراع، فيتم تشغيل الجهاز.
- ملحوظة:** عند تحرير الذراع مجدداً يتوقف الجهاز مرة أخرى. وبظل الضغط العالي متوفراً في النظام.

الأنبوب النفاث مع منفت الضغط العالي

لمهام التنظيف العادية.

صالح للعمل باستخدام مواد التنظيف.

أنبوب الشعاع مع مزيل القاذورات

للتخلص من القاذورات المستعصية.

صالح للعمل باستخدام مواد التنظيف.



لا تقم بتنظيف إطارات السيارات أو الطلاء أو الأسطح الحساسة مثل الخشب باستخدام أداة طحن الاتساخات، خطر التعرض للضرر.

فرشاة الغسل

صالحة للعمل باستخدام مواد التنظيف.

فرشاة تنظيف دوارة

صالحة للعمل باستخدام مواد التنظيف.

فرشاة التنظيف الدوارة صالحة للتنظيف الآلي

على وجه الخصوص.



أثناء العمل يجب أن تكون فرشاة الغسل خالية من الاتساخات أو أية جزيئات أخرى، خطر تعرض الطلاء للضرر.

استخدام مواد التنظيف

لا تستخدم إلا مواد العناية والتنظيف التي تنتجها شركة KARCHER من أجل القيام بعملية التنظيف، نظراً لأن هذه المواد مصممة خصيصاً للاستخدام مع هذا الجهاز. قد يؤدي استخدام أية مواد عناية وتنظيف أخرى إلى تلف الجهاز سريعاً وسقوط الحق في الضمان.

برجاء إخطار المتجر المتخصص بذلك أو طلب الحصول على كافة المعلومات ذات الصلة من شركة KARCHER مباشرة.

• اسحب خرطوم شفط مادة التنظيف من جسم الجهاز بالطول المرغوب.

• قم بتعليق خرطوم شفط مادة التنظيف في وعاء محلول مادة التنظيف.

• أفضل الأنابيب النفاث من مسدس الرش اليدوي. لا تقم بالعمل إلا باستخدام مسدس الرش اليدوي.

ملحوظة: وهكذا يضاف محلول مواد التنظيف إلى شعاع الماء عند التشغيل.

طرق التنظيف الموصى بها

• يتم رش مواد التنظيف بحرص على الأسطح الجافة وتترك لتقوم بمفعولها (ليس لتجف).

• تُغسل الأوساخ المتفككة بشعاع الضغط العالي.

اختياري

فوهة الرغوة

يتم سحب مادة التنظيف من الخزان وتنشأ رغوة شديدة لمادة التنظيف.

صورة إيضاحية

• املاً خزان مادة التنظيف بفوهة الرغوة بمحلول مادة التنظيف (يجب الالتزام ببيانات كمية التعبئة الموجودة على وعاء مواد التنظيف).

• اربط فوهة الرغوة بخزان مادة التنظيف.

• قم بإدخال فوهة الرغوة في مسدس الرش اليدوي وثبتها بلفها بزاوية قدرها

الاستخدام

قبل التشغيل

- قبل بدء التشغيل يتم تثبيت الأجزاء المفكوكة المرفقة مع الجهاز.
صورة إيضاحية A
- قم بتثبيت مقبض النقل/ مقبض الحمل
صورة B
- اخلع مشبك خرطوم الضغط العالي من مسدس الرش اليدوي (باستخدام مفك صغير مثلاً).
صورة C

- أدخل خرطوم الضغط العالي في مسدس الرش اليدوي.
- اضغط المشبك إلى الداخل إلى أن يثبت. افحص التوصيل الآمن من خلال جذب خرطوم الضغط العالي.
- يجب تثبيت قطعة التقارن المصاحبة في وصلة الماء الموجودة بالجهاز.

الإمداد بالمياه



وفقاً للقواعد السارية يُحظر تشغيل الجهاز مطلقاً بدون وجود فاصل النظام بشبكة مياه الشرب. يجب استخدام فاصل النظام الملائم الذي تنتجه شركة KARCHER أو بدلا منه يُستخدم فاصل نظام وفقاً للمعيار EN 12729 من الفئة BA. بالنسبة للمياه التي تتساقب عن طريق فاصل النظام، لا يتم تصنيفها بأنها مياه صالحة للشرب.

ملحوظة: قد تضر الملوثات الموجودة في المياه بمضخة الضغط العالي والملحقات. وللوقاية منها يُنصح باستخدام مرشح مياه Kärcher (ملحق خاص، رقم الطلب 4.730059).

الإمداد بالماء من وصلة الماء

يجب مراعاة القواعد الخاصة بشركة الإمداد بالماء.

قيم التوصيل - انظر لوحة الصنع/البيانات الفنية.

- استخدم خرطوم ماء مُعزز النسيج (ليس ضمن المحتويات التي يتم تسليمها) مع قارئة متداولة في الأسواق. (لا يقل القطر عن 2/1 بوصة أو 13 ملم، ولا يقل الطول عن 7.5 م).
- قم بإدخال خرطوم الماء بقطعة التقارن الموجودة بالجهاز وتوصيله بصنبور الإمداد بالماء.

التشغيل

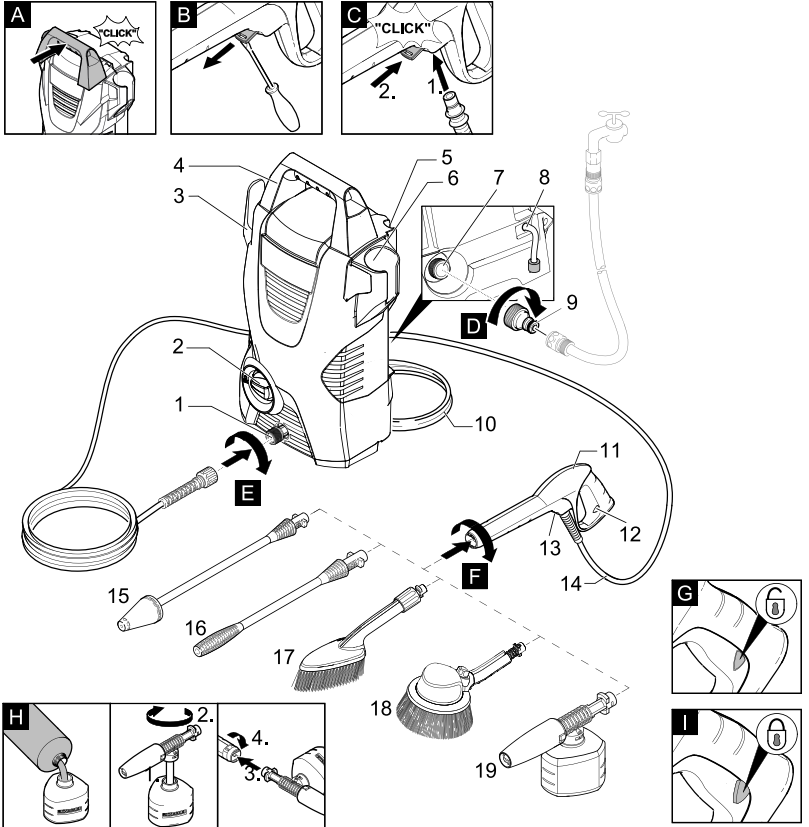


تؤدي دورة التجفيف التي تزيد على دقيقتين إلى حدوث أضرار بمضخة الضغط العالي. إذا لم يتمكن الجهاز من إنشاء أي ضغط في غضون دقيقتين، فقم بإيقاف الجهاز وتصرّف حسب الإرشادات الواردة في فصل «المساعدة في حالة حدوث اختلالات».

صورة D

- اربط خرطوم الضغط العالي بوصلة الضغط العالي الخاصة بالجهاز.
- يتم إدخال أنبوب الشعاع المطلوب في مسدس الرش اليدوي ويثبت بلفه بزاوية قدرها 90°.
- قم بفتح صنبور المياه باستمرار.
- أدخل القابس في المقبس.
- قم بتشغيل الجهاز بالنقر على المفتاح I/ON.

وصف الجهاز



9. قارنة لوصلة الماء
10. وصلة سلك التوصيل الرئيسي والقابس الكهربائي
11. مسدس الرش اليدوي
12. صمام غلق مسدس الرش اليدوي
13. مشبك لخرطوم الضغط العالي
14. خرطوم الضغط العالي
15. أنبوب الشعاع مع مزبل القاذورات
16. الأنبوب النفاث مع منفث الضغط العالي
17. فرشاة الغسل
18. فرشاة تنظيف دوارة
19. فوهة الرغبة المزودة بخزان مادة التنظيف

يتم وصف كافة التجهيزات المتوفرة في دليل التشغيل هذا. توجد بعض الاختلافات وفقاً لنوع الموديل (انظر العبوة)

1. وصلة الضغط العالي
2. مفتاح الجهاز "تشغيل/ إيقاف"
3. خطافات لحفظ خرطوم الضغط العالي وسلك التوصيل الرئيسي
4. مقبض
5. مكان حفظ الأنبوب النفاث
6. مكان حفظ مسدس الرش اليدوي
7. وصلة ماء مزودة بمصفاة مركبة
8. خرطوم شغط مادة التنظيف (مزود بغلث)

- المذكور على الملصق الموجود على الجهاز.
- أسباب أمنية ننصح بشكل أساسي بتشغيل الجهاز عبر قاطع الدائرة الكهربائية ذات العطل الأرضي (بعد أقصى 30 مللي أمبير).
- لا يسمح بإجراء أعمال النظافة التي يتخلف عنها مياه صرف محتوية على زيوت مثل غسل المحرك والهيكل السفلي للسيارة إلا في أماكن الغسل المزودة بفاصل زيت.

إرشادات السلامة



احترس

تعمل تجهيزات الأمان على حماية المستخدم وغير مسموح بإدخال تعديلات عليها أو الاستغناء عن وظائفها.

مفتاح تشغيل الجهاز

يعمل مفتاح تشغيل الجهاز على الجيولة دون التشغيل غير المتعمد للجهاز.

صمام غلق مسدس الرش اليدوي

يقوم صمام الغلق بحجز ذراع مسدس الرش اليدوي وبحول دون بدء تشغيل الجهاز بشكل غير متعمد.

صمام التيار الزائد المزود بمفتاح الضغط

في حالة تحرير الذراع بمسدس الرش اليدوي، يقوم مفتاح الضغط بإغلاق المضخة التي تعمل على إيقاف شعاع الضغط العالي. وعند سحب الذراع، تعمل المضخة مرة أخرى.

شروط ثبات الجهاز



احترس

- قبل إجراء أية أعمال على الجهاز أو باستخدامه احرص على توفير الثبات للجهاز للجيولة دون تعرضه للحوادث أو الإصابات.
- يتم ضمان ثبات الجهاز عند وضعه على أرضية مستوية.

- لقد تم تصميم هذا الجهاز لاستخدام مواد التنظيف التي تنتجها الشركة المنتجة أو تتصح باستخدامها. قد يخل استخدام أنواع أخرى من مواد التنظيف أو الكيماويات بسلامة الجهاز.
- يجب على المستخدم استعمال الجهاز وفقاً للقواعد المحددة. وأن يأخذ في اعتباره الظروف المكانية المحيطة ويحرص على سلامة الأشخاص المتواجدين في المكان عند استخدام الجهاز.
- لا يستخدم الجهاز عند تواجد أشخاص آخرين في نطاق العمل إلا مع ارتدائهم لملابس واقية.
- يتم ارتداء ملابس ونظارات واقية مناسبة للحماية من المياه والقاذورات التي تترد متناثرة.
- ⚠️ **احترس**
- في حالة توقف التشغيل لفترات طويلة احرص على إيقاف الجهاز عن طريق المفتاح الرئيسي / مفتاح الأجهزة أو قم بخلع قابس التيار من الشبكة الكهربائية.
- لا تقم بتشغيل الجهاز عند درجات حرارة أقل من 30 درجة مئوية.
- عند تنظيف الأسطح المطلية يجب ألا تقل المسافة بينها وبين الشعاع عن 30 سم تفادياً لحدوث تلفيات.
- لا يُترك الجهاز نهائياً بدون مراقبة طالما أنه لا يزال قيد التشغيل.
- يراعى ألا تتعرض وصلة سلك التوصيل الرئيسي أو سلك التمديد للضرر أو التلف نتيجة لدهسها أو تعرضها للانحناس والنتي أو ما شابه ذلك. يجب حماية وصلات الشبكة من السخونة والزيت والحواف الحادة.
- يجب حماية جميع الأجزاء التي يمر بها التيار في نطاق العمل من شعاع الماء.
- لا يسمح بتوصيل الجهاز إلا بسلك كهربائي فقط تم تصميمه من قبل فني وفقاً للمعيار IEC 60364.
- قم بتوصيل الجهاز بتيار كهربائي متردد. يجب أن يتوافق الجهد الكهربائي مع الجهد

ارشادات السلامة



- عند التنظيف ألا تقل المسافة بين الشعاع والجسم الذي يتم تنظيفه عن 30 سم!
- خطر الانفجار!
لا تستخدم سوائل قابلة للاشتعال في عملية الرش.
- لا تقم نهائياً بضغط سوائل تحتوي على مواد مذيبة أو أحماض غير مخففة أو مذيبات! ومنها على سبيل المثال البنزين أو مخففات الألوان أو الزيوت الساخنة. يعد ضباب الرشاش مادة ذات قابلية عالية للاشتعال ومنفجرة وسامة. لا تتعامل مع الأستيون والأحماض غير المخففة والمواد المذيبة لأنها تعمل على تآكل الخامات المستخدمة في صنع الجهاز.



- تحذير
يجب أن يكون كل من القابض الكهربائي وقارنات سلك التمديد مقاومين للماء كما يجب ألا يتم وضعهما في الماء.
- من الممكن أن تشكل أسلاك التمديد غير الملائمة خطورة. في المناطق المفتوحة لا تستخدم إلا أسلاك التمديد الملائمة والمسموح بها لهذا الغرض على أن يكون المقطع العرضي للسلك كافيًا: 1 - 10 م: 1.5 مم²، 10 - 30 م: 2,5 مم²
- فك دائما سلك التمديد من بكرة الكابل بالكامل.
- تعد خراطيم الضغط العالي والتركيبات والقارنات بمثابة مكونات ضرورية لأمان الجهاز. يقتصر الاستخدام على خراطيم الضغط العالي والتركيبات والقارنات التي تنصح بها الشركة المنتجة.
- لا يجوز استخدام هذا الجهاز من قبل أي أشخاص يعانون من أية إعاقات بدنية أو حسية أو ذهنية.
- غير مسموح بتشغيل الجهاز بمعرفة الأطفال أو الأشخاص غير المدربين.
- يجب مراقبة الأطفال للتأكد من عدم عبثهم بالجهاز.
- تحفظ لفافة ورق القصدير الخاصة بالتغليف بعيداً عن متناول الأطفال، حيث يكمن خطر الاختناق!

- لا تقم بالإمساك بالقابض والمقيس إذا كانت يداك مبتلئين.
- لا تقم بتشغيل الجهاز في حالة تلف وصلة سلك التوصيل الرئيسي أو أجزاء هامة بالجهاز مثل خرطوم الضغط العالي أو مسدس الرش اليدوي أو تجهيزات الأمان.
- يجب التحقق من عدم وجود تلفيات بوصلة سلك التوصيل الرئيسي والقابض الكهربائي، وذلك قبل كل تشغيل. يجب استبدال وصلة سلك التوصيل الرئيسي التالف فوراً عن طريق مركز خدمة العملاء المعتمد أو فني كهربائي معتمد.
- يجب التحقق من عدم وجود تلفيات بخرطوم الضغط العالي قبل كل استخدام. يجب استبدال خرطوم الضغط العالي التالف على الفور.
- يحظر تماماً تشغيل الجهاز في أماكن معرضة لخطر الانفجار.
- عند استخدام الجهاز في مناطق خطرة (مثل محطات الوقود) يجب الالتزام بتعليمات الأمان المحددة.
- أشعة الضغط العالي قد تكون خطيرة في حالة استخدامها بشكل خاطئ أو غير ملائم. يحظر توجيه الشعاع على الأشخاص أو الحيوانات أو الأجهزة الكهربائية المفعلة أو على الجهاز نفسه.
- لا توجه شعاع الضغط العالي على نفسك أو الآخرين بهدف تنظيف الملابس أو الأحذية.
- لا تقم بالرش لتنظيف الأشياء التي تحتوي على مواد تمثل خطورة على الصحة (مثل الأسبستوس).
- قد تتعرض إطارات السيارات أو صمامات الإطارات للتلف والانفجار من تأثير شعاع الضغط العالي. وتوضح أول علامة على حدوث ذلك في تغير لون الإطارات وتشكل إطارات السيارات وصمامات الإطارات التالفة خطورة على حياة الأفراد. يراعى

إرشادات عامة

عزيزي العميل

يرجى قراءة دليل التشغيل الأصلي هذا قبل أول استخدام لجهازك، ثم التعامل مع الجهاز وفقاً للتعليمات الواردة بهذا الدليل. كما يرجى الاحتفاظ بدليل التشغيل لأي استخدامات أخرى فيما بعد أو في حالة تسليم الجهاز لمستخدمين آخرين.

المحتويات التي يتم تسليمها

توجد على العلبة صورة لمشمتملات الجهاز التي يتم تسليمها. تأكد عند فتح الصندوق من وجود كافة المحتويات.

وفي حالة نقص أية ملحقات أو اكتشاف أي تلف بها بسبب النقل يرجى إخطار البائع.

الاستخدام المطابق للتعليمات

لا يُستخدم هذا المنظف الذي يعمل بالضغط العالي إلا للأعمال المنزلية الخاصة فقط:

- لتنظيف الأجهزة والسيارات والمباني والعدد والواجهات والشرفات ومعدات الحدائق وغيرها وذلك باستخدام شعاع ماء يعمل بالضغط العالي (يمكن إضافة وسائل تنظيف إذا لزم الأمر).
- مع الملحقات وقطع الغبار ومواد التنظيف المصرح بها من قبل شركة KARCHER. يجب الالتزام بالإرشادات المرفقة بمواد التنظيف.

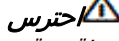
الرموز الواردة في دليل التشغيل



المخاطر التي تهدد الحياة بصورة مباشرة وتؤدي إلى إصابات جسدية بالغة أو تتسبب في الوفاة.



لمواقف قد تحفها المخاطر وقد تؤدي إلى إصابات جسدية بالغة أو تتسبب في الوفاة.



لمواقف قد تحفها المخاطر وقد تؤدي إلى إصابات بسيطة أو تتسبب في أضرار مادية.

الرموز الموجودة على الجهاز



يجب عدم توجيه شعاع الضغط العالي على الأشخاص أو الحيوانات أو الأجهزة الكهربائية المفعلة أو حتى على الجهاز نفسه. يجب حماية الجهاز من الصقيع.

حماية البيئة

مواد التغليف قابلة للتدوير وإعادة الاستخدام. يرجى عدم التخلص من العبوة في سلة القمامة المنزلية ولكن عليك بتقديمها للجهات المختصة بإعادة تدوير القمامة.

تحتوي الأجهزة القديمة على مواد قيمة قابلة لإعادة التدوير والاستخدام والتي يجب الاستفادة منها. لذا، قم بالتخلص من الأجهزة القديمة بما يتوافق مع نظم التجميع المناسبة.

الضمان

في كل دولة تسري شروط الضمان التي تضعها شركة التسويق المختصة التابعة لنا. نحن نتولى تصليح الأعطال التي قد تطرأ على جهازك بدون مقابل خلال فترة الضمان طالما أن السبب في هذه الأعطال ناجم عن وجود عيب في المواد أو في الصنع. في حال استحقاق الضمان، يرجى التوجه بقسيمة الشراء إلى أقرب موزع أو مركز خدمة عملاء معتمد.

العربية

