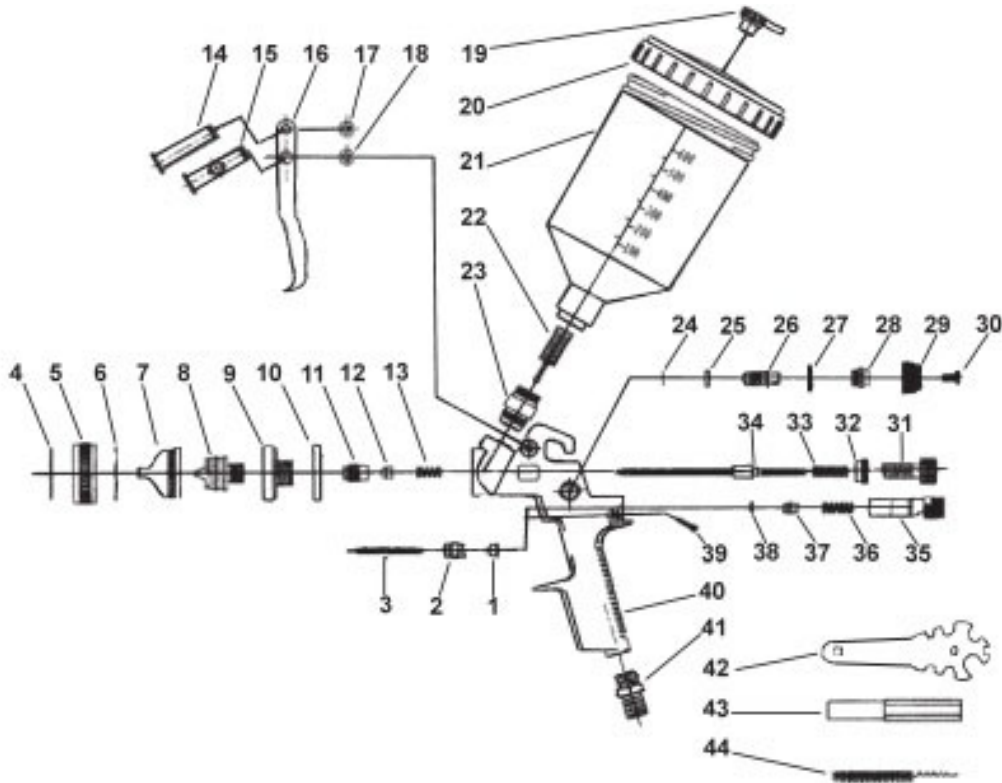




Parts Information:
**Spray Gun Professional Gravity Feed
 1.4mm Set-Up
 Model No: S701G**



Item	Part No.	Description
1	S701G.01	WHITE PLASTIC SEAL WASHER
2	S701G.02	SWITCH KNOB
3	S701G.03	SWITCH POLE
4	S701G.04	AIR CAP ASS'Y (1.4mm) (PARTS 04,05,06,07
--	S701G.04-1.7	AIR CAP ASS'Y (1.7mm) (NOT SHOWN)
--	S701G.04-2.0	AIR CAP ASS'Y (2.0mm) (NOT SHOWN)
8	S701G.08	FLUID NOZZLE
--	S701G.08-2.0	FLUID NOZZLE (2.0mm) (NOT SHOWN)
9	S701G.09	FLUID NOZZLE PLUG
10	S701G.10	PLASTIC WASHER
11	S701G.11	DIRECTION SCREW
12	S701G.12	WHITE PLASTIC WASHER
13	S701G.13	SPRING
14	S701G.14	TRIGGER PIN 1
15	S701G.15	TRIGGER PIN 2
16	S701G.16	TRIGGER
17	S701G.17	SNAP RETAINER
18	S701G.18	SNAP RETAINER
19	S701G.21	CONTAINER ASS'Y (PARTS 19, 20, 21, 22)
23	S701G.23	ADAPTOR
24	S701G.24	SNAP RETAINER

Item	Part No.	Description
25	S701G.25	O-RING
26	S701G.26	PATTERN ADJ.
27	S701G.27	COPPER WASHER
28	S701G.28	PATTERN ADJ. KNOB
--	S701G.29	PATTERN ADJ. SCREW (NOT SHOWN)
30	MSC48.S	CSK PHILLIPS MACHINE SCREW M4x8 (SINGLE)
31	S701G.31	FLUID ADJ. KNOB
32	S701G.32	JOINT CAP
33	S701G.33	FLUID NEEDLE SPRING
34	S701G.34	FLUID ADJ. NEEDLE (1.4mm)
35	S701G.35	MODULATOR
36	S701G.36	SWITCH SPRING
37	S701G.37	SWITCH BLOCK C/W O-RING
38	S701G.37	SWITCH BLOCK C/W O-RING
39	S701G.39	SCREW
40	S701G.40	GUN BODY
41	S701G.41	AIR INLET PLUG
42	S701G.42	TOOL WRENCH
43	S701G.43	HEX WRENCH
44	S701G.44	BRUSH

NOTE: It is our policy to continually improve products and as such we reserve the right to alter data, specifications and component parts without prior notice.

IMPORTANT: No liability is accepted for incorrect use of product.

WARRANTY: Guarantee is 12 months from purchase date, proof of which will be required for any claim.

Sealey Group, Kempson Way, Suffolk Business Park, Bury St Edmunds, Suffolk. IP32 7AR



01284 757500



01284 703534



sales@sealey.co.uk



www.sealey.co.uk