



INSTRUCTIONS FOR

AIR NAIL/STAPLE GUN 50MM/40MM CAPACITY

MODEL NO: **SA792.V3**

Thank you for purchasing a Sealey product. Manufactured to a high standard, this product will, if used according to these instructions, and properly maintained, give you years of trouble free performance.

IMPORTANT: PLEASE READ THESE INSTRUCTIONS CAREFULLY. NOTE THE SAFE OPERATIONAL REQUIREMENTS, WARNINGS & CAUTIONS. USE THE PRODUCT CORRECTLY AND WITH CARE FOR THE PURPOSE FOR WHICH IT IS INTENDED. FAILURE TO DO SO MAY CAUSE DAMAGE AND/OR PERSONAL INJURY AND WILL INVALIDATE THE WARRANTY. KEEP THESE INSTRUCTIONS SAFE FOR FUTURE USE.



Refer to instructions



Keep People away



Wear eye protection



Wear protective gloves



Wear safety footwear



Wear protective clothing

1. SAFETY

- WARNING! DO NOT** use the nail/staple gun if damaged, has missing parts or is thought to be faulty. Contact your Service Agent.
- WARNING!** Disconnect from the air supply before loading or servicing.
- WARNING!** Always wear approved eye, face and hand protection when operating the nail/staple gun.
- WARNING!** Check correct air pressure is maintained and not exceeded. We recommend 60 to 100psi.
- * **DO NOT** use the nail/staple gun for a task it is not designed to perform.
- * **DO NOT** operate the nail/staple gun near flammable substances or flammable containers.
- * **DO NOT** use the nail/staple gun unless you have been instructed in its use by a qualified person.
- * **DO NOT** carry the nail/staple gun by the air hose, or yank the hose from the air supply.
- * **DO NOT** operate the nail/staple gun if you are tired or under the influence of alcohol, drugs or intoxicating medication.
- * **DO NOT** carry the nail/staple gun with your hand on the power trigger in order to avoid unintentional firing.
- * **DO NOT** direct the nail/staple gun or the air from the air hose at yourself or others.
- * **DO NOT** load bent or damaged nails/staples into the magazine.
- ▲ **DANGER!** When putting the nail/staple gun down, ensure that the trigger safety slide is not fouled, risking accidental firing.
- ✓ Maintain the nail/staple gun in good condition and replace any damaged or worn parts. Use genuine parts only. Unauthorised parts may be dangerous and will invalidate the warranty.
- ✓ Keep the air hose away from heat, oil and sharp edges. Check the air hose for wear before each use and ensure that all connections are secure.
- ✓ Only use supplied 18SWG x 10-50mm Brad nails and 18SWG x 13-40mm staples. Ask your Sealey Dealer for further supplies.
- ✓ Wear approved safety eye/face shield, ear defenders and hand protection.
- ✓ Follow all workshop safety rules, regulations, and conditions when using the nail/staple gun.
- ✓ Maintain correct balance and footing. Ensure the floor is not slippery and wear non-slip shoes.
- ✓ Keep children and non essential persons away from the working area.
- ✓ When not in use, disconnect from the air supply, remove the strip nails/staples from the magazine and store cased in a safe, dry, childproof location.
- WARNING!** The warnings, cautions and instructions in this manual cannot cover all possible conditions and situations that may occur. It must be understood by the operator that common sense and caution are factors which cannot be built into this product, but must be applied by the operator.

WARNING! – Risk of Hand Arm Vibration Injury.

This tool may cause Hand Arm Vibration Syndrome if its use is not managed adequately. This tool is subject to the vibration testing section of the Machinery Directive 2006/42/EC. This tool is to be operated in accordance with these instructions.

Measured vibration emission value (a): 2.5m/s²
Uncertainty value (k): 1.25m/s²

Please note that the application of the tool to a sole specialist task may produce a different average vibration emission. We recommend that a specific evaluation of the vibration emission is conducted prior to commencing with a specialist task.

A health and safety assessment by the user (or employer) will need to be carried out to determine the suitable duration of use for each tool. NB: Stated Vibration Emission values are type-test values and are intended to be typical. Whilst in use, the actual value will vary considerably from and depend on many factors. Such factors include; the operator, the task and the inserted tool or consumable. NB: ensure that the length of leader hoses is sufficient to allow unrestricted use, as this also helps to reduce vibration.

The state of maintenance of the tool itself is also an important factor, a poorly maintained tool will also increase the risk of Hand Arm Vibration Syndrome.

Health surveillance.

We recommend a programme of health surveillance to detect early symptoms of vibration injury so that management procedures can be modified accordingly.

Personal protective equipment.

We are not aware of any personal protective equipment (PPE) that provides protection against vibration injury that may result from the uncontrolled use of this tool. We recommend a sufficient supply of clothing (including gloves) to enable the operator to remain warm and dry and maintain good blood circulation in fingers etc. Please note that the most effective protection is prevention, please refer to the Correct Use and Maintenance section in these instructions. Guidance relating to the management of hand arm vibration can be found on the HSC website.

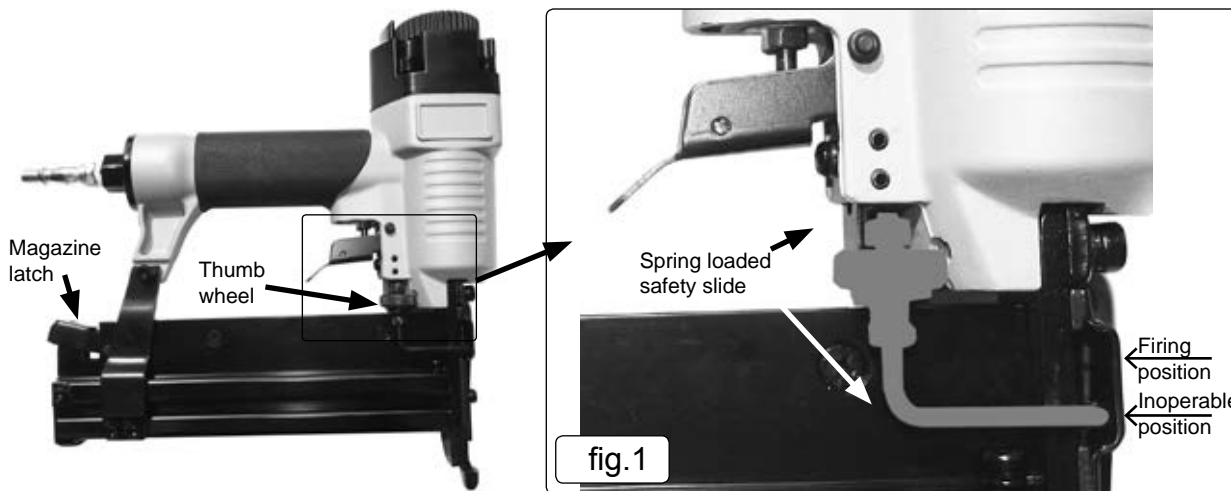
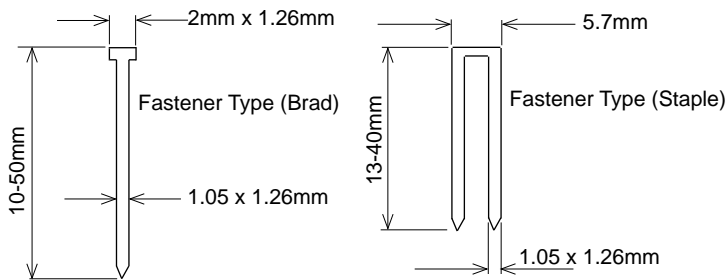
www.hse.gov.uk - Hand-Arm Vibration at Work.

2. INTRODUCTION

Professional air nailer/stapler with lightweight aluminium body and rubber grip handle. Safety trigger device to prevent accidental firing of nails and staples. Supplied in carry-case with oiler and starter pack of nails and staples.

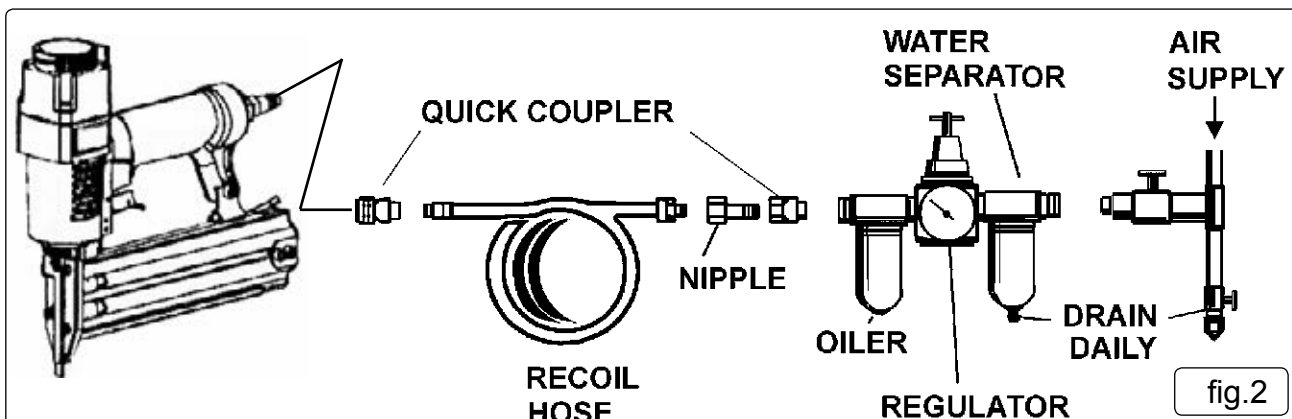
3. SPECIFICATION

Model No:	SA792.V3
Nail Capacity:.....	10-50mm 18SWG
Staple Capacity:.....	13-40mm 18SWG
Max Pressure:.....	116psi
Operating Pressure:.....	60-116psi
Air Inlet Size:.....	1/4" BSP
Gun Weight:.....	1.35kg
Noise Power:.....	99dB(A)
Noise Pressure:.....	86dB(A)
Vibration:.....	2.5m/s ²
Uncertainty:.....	1.25m/s ²



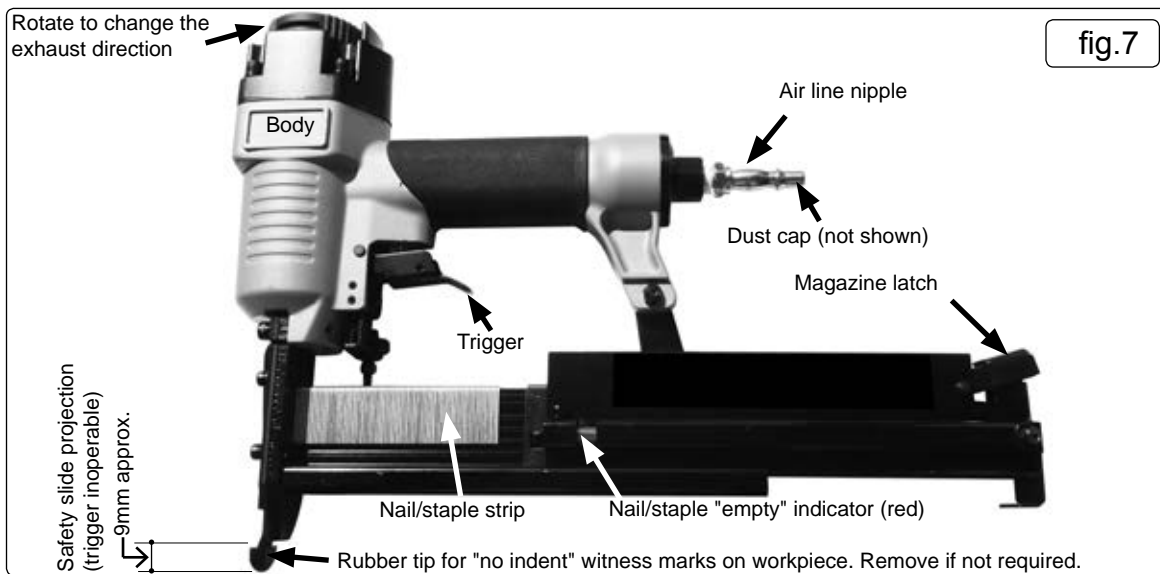
4. PREPARATION

- ❑ **WARNING!** Ensure the air supply is clean, dry and between 60 - 116psi while operating the gun. Too high an air pressure and/or unclean air will shorten the product life due to excessive wear, and may be dangerous causing damage and/or personal injury.
- 4.1. **AIR SUPPLY**
- 4.1.1. Ensure the nail gun trigger release slide is not depressed when connecting to the air supply. To check this see fig.1 where indication of trigger "inoperable" and "firing" positions are shown.
- 4.1.2. You will require an air pressure of between 60 - 116psi, and an air flow according to specification.
- 4.1.3. Drain your compressor air tank of water daily. Water in the air line will damage the gun.
- 4.1.4. Clean the compressor air inlet filter weekly. Recommended hook-up procedure is shown in fig.2.
- 4.1.5. Line pressure should be increased to compensate for unusually long air hoses (over 8 metres). The minimum hose diameter should be 1/4" I.D. and fittings must have the same inside dimensions.
- 4.1.6. Keep the hose away from heat, oil and sharp edges. Check hose for wear, and make certain that all connections are secure.



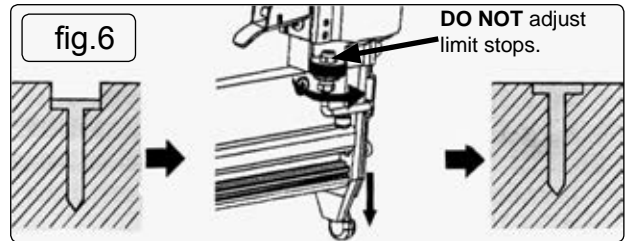
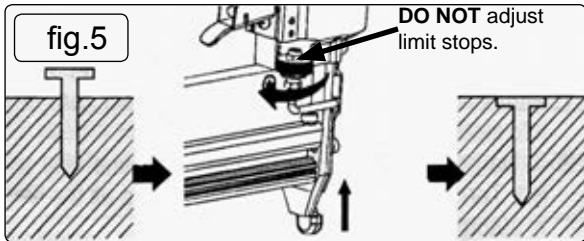
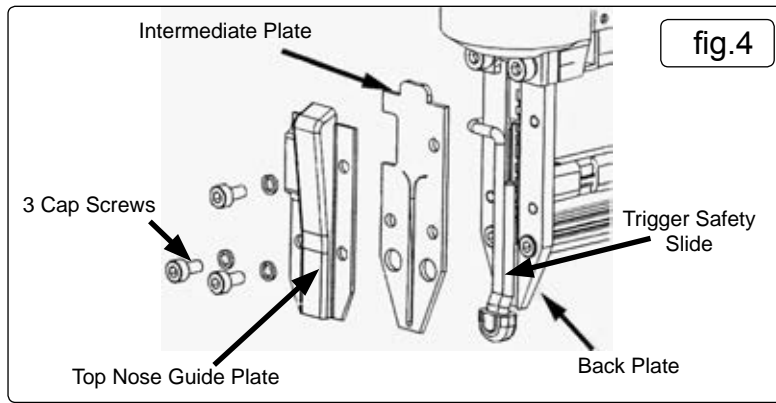
5. OPERATION

- ❑ **WARNING!** Ensure you read, understand and apply safety instructions before use.
- 5.1. Load the magazine before connecting the air line. To open the magazine, hold the gun body with the left hand, then with your other hand, press the magazine latch lever and slide the magazine fully open. Place a "strip" of nails/staples into the open magazine chamber, ensuring that all the nails have their points resting on the bottom of the chamber. Staples nest on the top edge of the guide.
- 5.2. Slide the magazine cover shut until it clicks into place behind the catch.
- 5.3. Before connecting to an air supply, ensure that the trigger safety slide is **not** depressed. See the trigger "inoperable" and "firing" positions in fig.1.
- 5.4. Connect the air line to the nail/staple gun as described in Section 4.
- 5.5. The operating trigger is normally inoperable and cannot be used until the trigger safety slide is depressed. This happens automatically as you position and offer the nail/stapler gun on to the timber work piece.
- 5.6. The trigger release slide can be seen protruding downwards just in front of the nail outlet (see fig.3). Place the tip of the slide onto the timber work piece to be nailed/stapled and press downwards to bring the nose outlet into contact with the surface. As the slide retracts the trigger will become operational. **Never depress the safety slide projection with your finger.**
- 5.7. Depress the trigger and release to fire one nail/staple. To fire another nail/staple in quick succession keep the trigger depressed, reposition the gun at the next required point and offer the gun nose on to the timber work piece. Repeat as necessary.
- 5.8. If you need to put the gun down during the course of working, ensure that the trigger safety slide is not depressed against any object, which will be indicated by the slide firing position in fig.1. This would enable the trigger and possible accidental firing.
- 5.9. When the work is complete or when you have paused for any length of time, disconnect the nail/stapler gun from the air line.
- ❑ **WARNING!** Should a blockage occur, disconnect the nail/stapler gun from the air supply immediately. See trouble shooting in 6.2.



6. TROUBLESHOOTING

- 6.1. Loss of power or erratic action:
 - a) Excessive drain on the air line. Moisture or restriction in the air pipe. Incorrect size or type of hose connectors. To remedy check the air supply and follow instructions in section 4.
 - b) Grit or gum deposits in the wrench may also reduce performance. Flush the nail gun out with gum solvent oil or an equal mixture of SAE No 10 oil and paraffin. Allow to dry before use.
 - c) Body air leaks, possible "o" ring failure, contact your Service Agent.
- 6.2. Nailing failure:
 - a) Magazine empty. Check for red indicators in fig.3, if red, reload with nails as described in 5.1 and 5.2.
 - b) Blockage in the magazine. Disconnect from the air supply and open the magazine as described in 5.1. Remove any obstructions, check the nail strip, reload if necessary. Close the magazine as described in 5.2.
 - c) Blockage in the ejector nose. Disconnect from the air supply and completely remove 3 cap screws, the top nose plate and intermediate plate in fig.4. Clear the jam and replace all items.
 - d) Nails/staples not fully penetrating work piece as in fig.5. Timber hardness or knots, may be a factor. Adjust the air pressure between 60-100psi. Disconnect from the air supply and open the magazine as described in 5.1. Remove the nails/staples and adjust the thumb wheel clockwise as in fig.5. Reload and trial.
 - e) Nails/staples penetrating too deep as in fig.6. Disconnect from the air supply and open the magazine as described in 5.1. Remove the nails/staples and adjust the thumb wheel anticlockwise as in fig.6. Reload and trial.



7. MAINTENANCE

- ❑ **WARNING!** Disconnect the nail/staple gun from the air supply before refilling, servicing or performing maintenance. Replace or repair damaged parts. Use genuine parts only. Unauthorised parts may be dangerous and will invalidate the warranty.
- 7.1. If the air system does not have an oiler, lubricate the air nail gun daily with a few drops of Sealey air tool oil dripped into the air inlet. (To re-order air tool oil use Sealey part Nos. ATO500S or ATO1000S.)
- 7.2. On a weekly basis check the security of the fixings holding the driver guide plate, tighten if necessary.
- 7.3. Clear ingress with compressed air.
- 7.4. Clean the nail/staple gun metal parts after use with a lightly oiled cloth. Clean the handle with a mild detergent and a moist cloth.
- 7.5. For a full service contact your local Sealey service agent. .
- 7.6. When not in use, disconnect from the air supply, remove strip nails/staples from magazine, store cased in a safe, dry, childproof location.

Parts support is available for this product. To obtain a parts listing and/or diagram, please log on to www.sealey.co.uk, email sales@sealey.co.uk or telephone 01284 757500.



Environmental Protection

Recycle unwanted materials instead of disposing of them as waste. All tools, accessories and packaging should be sorted, taken to a recycling centre and disposed of in a manner which is compatible with the environment. When the product becomes completely unserviceable and requires disposal, drain off any fluids (if applicable) into approved containers and dispose of the product and the fluids according to local regulations.

NOTE: It is our policy to continually improve products and as such we reserve the right to alter data, specifications and component parts without prior notice.

IMPORTANT: No liability is accepted for incorrect use of this product.

WARRANTY: Guarantee is 12 months from purchase date, proof of which will be required for any claim.



Sole UK Distributor, Sealey Group.
Kempson Way, Suffolk Business Park,
Bury St. Edmunds, Suffolk.
IP32 7AR



01284 757500



01284 703534



www.sealey.co.uk



sales@sealey.co.uk