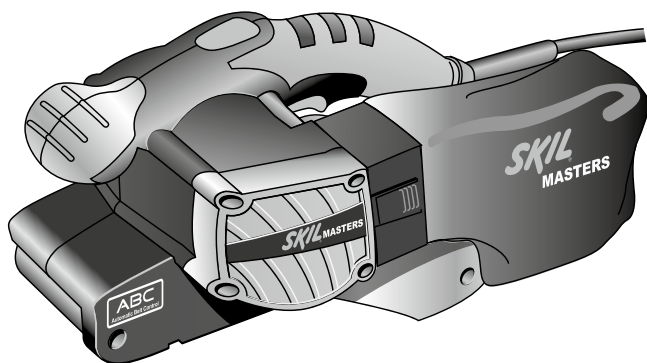


SKIL MASTERS

PROFESSIONAL POWER TOOLS

BELT SANDER
1220 (F0151220 ..)



GB	ORIGINAL INSTRUCTIONS	5	UA	ОРИГІНАЛЬНА ІНСТРУКЦІЯ З ЕКСПЛУАТАЦІЇ	53
F	NOTICE ORIGINALE	7	GR	ΠΡΟΤΥΠΟ ΟΔΗΓΙΩΝ ΧΡΗΣΗΣ	57
D	ORIGINALBETRIEBSANLEITUNG	11	RO	INSTRUCȚIUNI DE FOLOSIRE ORIGINALE	60
NL	ORIGINELE GEBRUIKSAANWIJZING	14	BG	ОРИГИНАЛНО РЪКОВОДСТВО ЗА ЕКСПЛОАТАЦИЯ	63
S	BRUKSANVISNING I ORIGINAL	17	SK	PŮVODNÝ NÁVOD NA POUŽITIE	67
DK	ORIGINAL BRUGSANVISNING	19	HR	ORIGINALNE UPUTE ZA RAD	70
N	ORIGINAL BRUKSANVISNING	20	SRB	ORIGINALNO UPUTSTVO ZA RAD	73
FIN	ALKUPERÄISET OHJEET	22	SLO	IZVIRNA NAVODILA	76
E	MANUAL ORIGINAL	25	EST	ALGUPÄRANE KASUTUSJUHEND	78
P	MANUAL ORIGINAL	28	LV	ORIĢINĀLĀ LIETOŠANAS PAMĀCĪBA	81
I	ISTRUZIONI ORIGINALI	31	LT	ORIGINALI INSTRUKCIJA	84
H	EREDETI HASZNÁLATI UTASÍTÁS	34	AR	دليل الاستعمال	92
CZ	PŮVODNÍM NÁVODEM K POUŽÍVÁNÍ	37	FA	راهنمای اصلی	90
TR	ORIJİNAL İŞLETME TALİMATI	43			
PL	INSTRUKCJA ORYGINALNA	46			
RU	ПОДЛИННИК РУКОВОДСТВА ПО ЭКСПЛУАТАЦИИ	49			

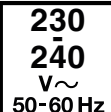
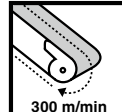
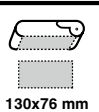
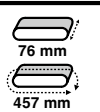
www.skilmasters.com



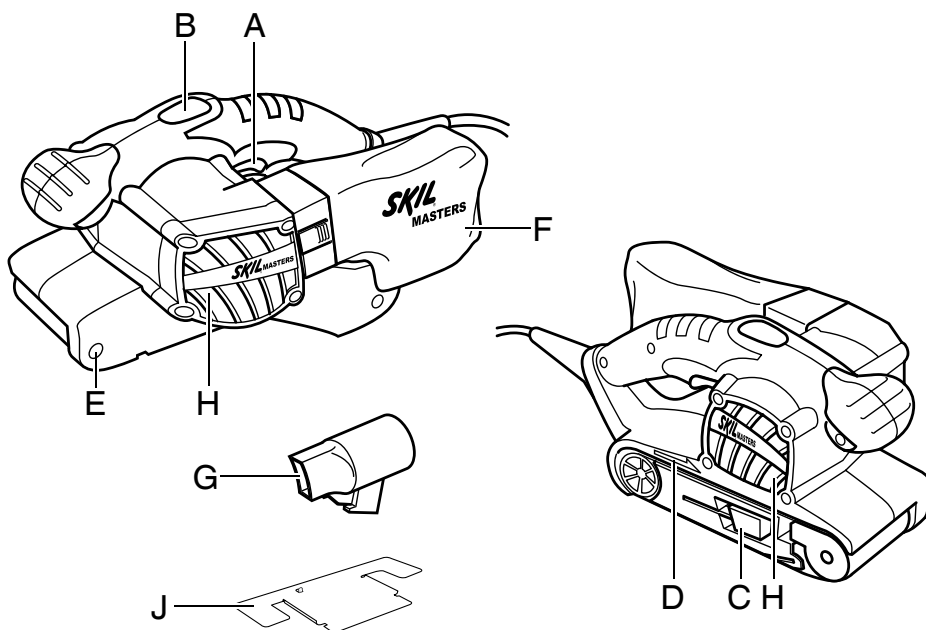
1 1220

650

Watt



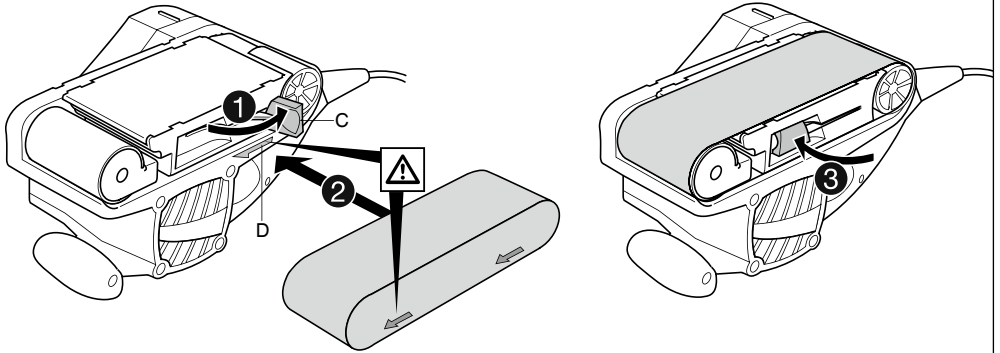
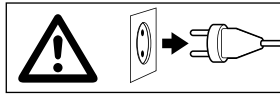
2



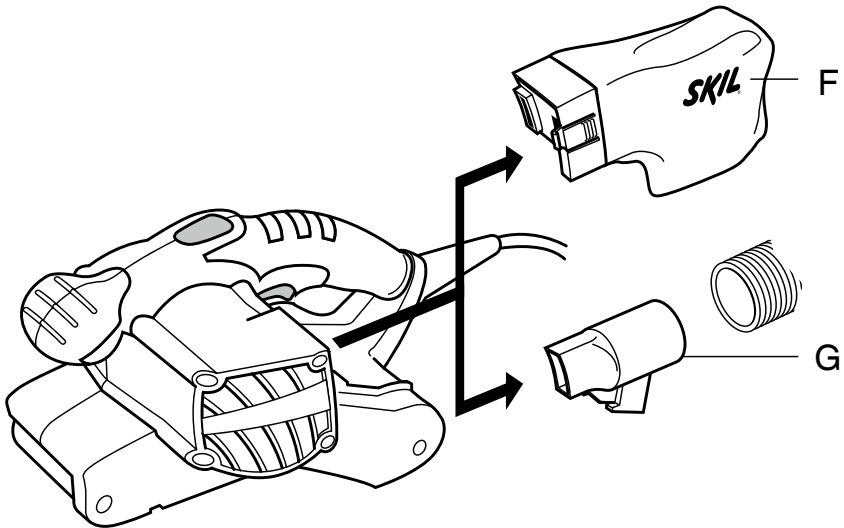
3



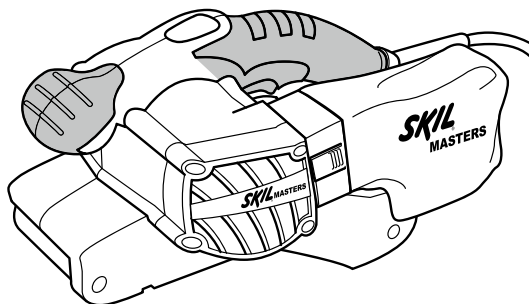
4



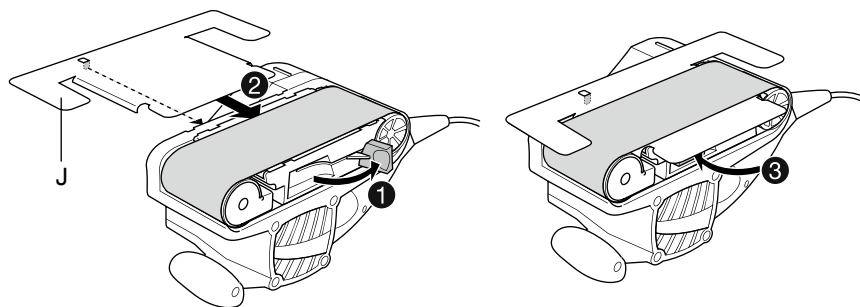
5



6



7



8



ACCESSORIES

SKIL nr.



grit 60
grit 80
grit 100

2610373177
2610373178
2610373179

Belt sander

1220

INTRODUCTION

- This tool is intended for dry sanding with high removal performance of wood, plastic, metal, filler and painted surfaces
- Read and save this instruction manual ③

TECHNICAL SPECIFICATIONS ①

TOOL ELEMENTS ②

- A On/off switch
- B Knob for locking on/off switch
- C Lever for changing sanding belt
- D Arrow
- E Screw for adjusting belt centering
- F Dust bag
- G Vacuum cleaner adapter
- H Ventilation slots
- J Sanding frame

SAFETY

GENERAL SAFETY INSTRUCTIONS

⚠ WARNING! Read all safety warnings and all instructions. Failure to follow the warnings and instructions may result in electric shock, fire and/or serious injury. **Save all warnings and instructions for future reference.** The term "power tool" in the warnings refers to your mains-operated (corded) power tool or battery-operated (cordless) power tool.

1) WORK AREA SAFETY

- a) **Keep work area clean and well lit.** Cluttered or dark areas invite accidents.
- b) **Do not operate power tools in explosive atmospheres, such as in the presence of flammable liquids, gases or dust.** Power tools create sparks which may ignite the dust or fumes.
- c) **Keep children and bystanders away while operating a power tool.** Distractions can cause you to lose control.

2) ELECTRICAL SAFETY

- a) **Power tool plugs must match the outlet. Never modify the plug in any way. Do not use any adapter plugs with earthed (grounded) power tools.** Unmodified plugs and matching outlets will reduce risk of electric shock.
- b) **Avoid body contact with earthed or grounded surfaces such as pipes, radiators, ranges and refrigerators.** There is an increased risk of electric shock if your body is earthed or grounded.
- c) **Do not expose power tools to rain or wet conditions.** Water entering a power tool will increase the risk of electric shock.
- d) **Do not abuse the cord. Never use the cord for carrying, pulling or unplugging the power tool. Keep cord away from heat, oil, sharp edges or moving**

parts. Damaged or entangled cords increase the risk of electric shock.

- e) **When operating a power tool outdoors, use an extension cord suitable for outdoor use.** Use of a cord suitable for outdoor use reduces the risk of electric shock.
- f) **If operating a power tool in a damp location is unavoidable, use an earth leakage circuit breaker.** Use of an earth leakage circuit breaker reduces the risk of electric shock.

3) PERSONAL SAFETY

- a) **Stay alert, watch what you are doing and use common sense when operating a power tool. Do not use a power tool while you are tired or under the influence of drugs, alcohol or medication.** A moment of inattention while operating power tools may result in serious personal injury.
 - b) **Use personal protective equipment. Always wear eye protection.** Protective equipment such as dust mask, non-skid safety shoes, hard hat, or hearing protection used for appropriate conditions will reduce personal injuries.
 - c) **Prevent unintentional starting. Ensure the switch is in the off-position before connecting to power source and/or battery pack, picking up or carrying the tool.** Carrying power tools with your finger on the switch or energising power tools that have the switch on invites accidents.
 - d) **Remove any adjusting key or wrench before turning the power tool on.** A wrench or a key left attached to a rotating part of the power tool may result in personal injury.
 - e) **Do not overreach. Keep proper footing and balance at all times.** This enables better control of the power tool in unexpected situations.
 - f) **Dress properly. Do not wear loose clothing or jewelry. Keep your hair, clothing and gloves away from moving parts.** Loose clothes, jewelry or long hair can be caught in moving parts.
 - g) **If devices are provided for the connection of dust extraction and collection facilities, ensure these are connected and properly used.** Use of dust collection can reduce dust-related hazards.
- #### 4) POWER TOOL USE AND CARE
- a) **Do not force the power tool. Use the correct power tool for your application.** The correct power tool will do the job better and safer at the rate for which it was designed.
 - b) **Do not use the power tool if the switch does not turn it on and off.** Any power tool that cannot be controlled with the switch is dangerous and must be repaired.
 - c) **Disconnect the plug from the power source and/or the battery pack from the power tool before making any adjustments, changing accessories, or storing power tools.** Such preventive safety measures reduce the risk of starting the power tool accidentally.
 - d) **Store idle power tools out of the reach of children and do not allow persons unfamiliar with the power tool or these instructions to operate the power tool.** Power tools are dangerous in the hands of untrained users.

- e) **Maintain power tools. Check for misalignment or binding of moving parts, breakage of parts and any other condition that may affect the power tool's operation. If damaged, have the power tool repaired before use.** Many accidents are caused by poorly maintained power tools.
 - f) **Keep cutting tools sharp and clean.** Properly maintained cutting tools with sharp cutting edges are less likely to bind and are easier to control.
 - g) **Use the power tool, accessories and tool bits etc., in accordance with these instructions, taking into account the working conditions and the work to be performed.** Use of the power tool for operations different from those intended could result in a hazardous situation.
- 5) SERVICE**
- a) **Have your power tool serviced by a qualified repair person using only identical replacement parts.** This will ensure that the safety of the power tool is maintained.

SAFETY INSTRUCTIONS FOR SANDERS

- Avoid damage that can be caused by screws, nails and other elements in your workpiece; remove them before you start working
 - Always keep the cord away from moving parts of the tool; direct the cord to the rear, away from the tool
 - **Secure the workpiece** (a workpiece clamped with clamping devices or in a vice is held more securely than by hand)
 - When you put away the tool, switch off the motor and ensure that all moving parts have come to a complete standstill
 - Use completely unrolled and safe extension cords with a capacity of 16 Amps (U.K. 13 Amps)
 - In case of electrical or mechanical malfunction, immediately switch off the tool and disconnect the plug
 - SKIL can assure flawless functioning of the tool only when original accessories are used
 - This tool should not be used by people under the age of 16 years
 - The noise level when working can exceed 85 dB(A); wear ear protection
 - **Hold power tool by insulated gripping surfaces, because the belt may contact its own cord** (cutting a "live" wire may make exposed metal parts of the power tool "live" and could give the operator an electric shock)
 - If the cord is damaged or cut through while working, do not touch the cord, but immediately disconnect the plug
 - Never use the tool when cord is damaged; have it replaced by a qualified person
 - Always check that the supply voltage is the same as the voltage indicated on the nameplate of the tool (tools with a rating of 230V or 240V can also be connected to a 220V supply)
 - This tool is not suitable for wet sanding
 - **Do not work materials containing asbestos** (asbestos is considered carcinogenic)
 - Dust from material such as paint containing lead, some wood species, minerals and metal may be harmful (contact with or inhalation of the dust may cause allergic reactions and/or respiratory diseases to the operator or bystanders); **wear a dust mask and work with a dust extraction device when connectable**
- Certain kinds of dust are classified as carcinogenic (such as oak and beech dust) especially in conjunction with additives for wood conditioning; **wear a dust mask and work with a dust extraction device when connectable**
 - Follow the dust-related national requirements for the materials you want to work with
 - When sanding metal, sparks are generated; do not use dustbag/dustbox/vacuum cleaner and keep other persons and combustible material from work area
 - Do not touch the running sanding belt
 - Do not continue to use worn, torn or heavily clogged sanding belts
 - Wear protective gloves, safety glasses, close-fitting clothes and hair protection (for long hair)
 - **Always disconnect plug from power source before making any adjustment or changing any accessory**
- WHEN CONNECTING NEW 3-PIN PLUG (U.K. ONLY):
- Do not connect the blue (= neutral) or brown (= live) wire in the cord of this tool to the earth terminal of the plug
 - If for any reason the old plug is cut off the cord of this tool, it must be disposed of safely and not left unattended

USE

- On/off switch
 - switch on/off the tool by pulling/releasing trigger A ②
 - ! **before the sanding surface reaches the workpiece, you should switch on the tool**
 - ! **before switching off the tool, you should lift it from the workpiece**
- Switch locking for continuous use
 - pull trigger A ②
 - press knob B ② with your thumb
 - release the trigger
 - unlock the switch by pulling again trigger A ② and then releasing it
- Changing of sanding belts ④
 - ! **disconnect the plug**
 - lift lever C
 - remove sanding belt
 - insert new belt with arrows printed at inner side of belt pointing in same direction as arrow D on tool
 - push lever back
 - ! **change sanding belts in time**
 - ! **never fold sanding belts**
- Automatic belt centering (ABC)
 - centers belt automatically when switching on tool
 - keeps belt centered while sanding

In case belt runs off tool (mostly caused by inferior belt quality), you should

 - switch on the tool
 - adjust screw E ② till the sanding belt is running in line with the flat side of the tool
 - use new belt, if belt still runs off tool
- Dust suction ⑤
 - ! **empty dustbag F regularly for optimal dust pick-up performance**
 - when using tool with vacuum cleaner, mount vacuum cleaner adaptor G as illustrated
 - ! **do not use dustbag/vacuum cleaner when sanding metal**

- Holding and guiding the tool ⑥
 - guide the tool parallel to the working surface
 - ! **while working, always hold the tool at the grey-coloured grip area(s)**
 - ! **do not apply too much pressure on the tool; let the sanding surface do the work for you**
 - do not tilt the tool in order to avoid unwanted sanding marks
 - keep ventilation slots H ② uncovered

APPLICATION ADVICE

- For sanding bare wood surfaces move the tool in straight movements in line with the grain
- For sanding all other surfaces move the tool in oval movements over the material
- Mount sanding frame J for equalizing surfaces without scratches or grooves, and ensure it is in place securely ⑦
 - ! **sanding frame J becomes hot during use; do not touch it before it has cooled down**
- Never use the same sanding belt for wood and metal

MAINTENANCE / SERVICE

- Always keep tool and cord clean (especially ventilation slots H ②)
 - remove adhering sanding dust with a brush
 - ! **disconnect the plug before cleaning**
- If the tool should fail despite the care taken in manufacturing and testing procedures, repair should be carried out by an after-sales service centre for SKIL power tools
 - send the tool **undismantled** together with proof of purchase to your dealer or the nearest SKIL service station (addresses as well as the service diagram of the tool are listed on www.skilmasters.com)

ENVIRONMENT

- **Do not dispose of electric tools, accessories and packaging together with household waste material** (only for EU countries)
 - in observance of European Directive 2002/96/EC on waste of electric and electronic equipment and its implementation in accordance with national law, electric tools that have reached the end of their life must be collected separately and returned to an environmentally compatible recycling facility
 - symbol ⑧ will remind you of this when the need for disposing occurs

CE DECLARATION OF CONFORMITY

- We declare under our sole responsibility that this product is in conformity with the following standards or standardized documents: EN 60745, EN 61000, EN 55014, in accordance with the provisions of the directives 2004/108/EC, 2006/42/EC, 2011/65/EU

- **Technical file at:** SKIL Europe BV (PT-SEU/PJE), 4825 BD Breda, NL

Arno van der Kloot Jan Trommelen
 Vice President Approval Manager
 Operations & Engineering

SKIL Europe BV, 4825 BD Breda, NL

21.09.2011

NOISE/VIBRATION

- Measured in accordance with EN 60745 the sound pressure level of this tool is 87 dB(A) and the sound power level 98 dB(A) (standard deviation: 3 dB), and the vibration 2.1 m/s² (hand-arm method; uncertainty K = 1.5 m/s²)
- The vibration emission level has been measured in accordance with a standardised test given in EN 60745; it may be used to compare one tool with another and as a preliminary assessment of exposure to vibration when using the tool for the applications mentioned
 - using the tool for different applications, or with different or poorly maintained accessories, may significantly **increase** the exposure level
 - the times when the tool is switched off or when it is running but not actually doing the job, may significantly **reduce** the exposure level
- ! **protect yourself against the effects of vibration by maintaining the tool and its accessories, keeping your hands warm, and organizing your work patterns**

F

Ponceuse à bande

1220

INTRODUCTION

- Cet outil est conçu pour le ponçage à sec avec une grande capacité à enlever la matière du bois, plastique, métal et mastic et des surfaces peintes
- Lisez et conservez ce manuel d'instruction ③

SPECIFICATIONS TECHNIQUES ①

ELEMENTS DE L'OUTIL ②

- A Interrupteur marche/arrêt
- B Bouton de verrouillage de l'interrupteur marche/arrêt
- C Levier pour changer la bande de ponçage
- D Flèche
- E Vis pour régler le centrage de la bande
- F Sac à poussière
- G Adaptateur de l'aspirateur
- H Fentes de ventilation
- J Support de ponçage