

SKIL MASTERS

PROFESSIONAL POWER TOOLS

CORDLESS DRILL/DRIVER 2108 (F0152108..)

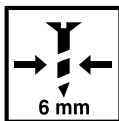
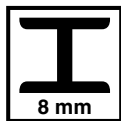
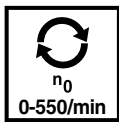
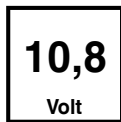


GB	ORIGINAL INSTRUCTIONS	6	UA	ОРИГІНАЛЬНА ІНСТРУКЦІЯ З ЕКСПЛУАТАЦІЇ	67
F	NOTICE ORIGINALE	9	GR	ΠΡΩΤΟΤΥΠΟ ΟΔΗΓΙΩΝ ΧΡΗΣΗΣ	71
D	ORIGINALBETRIEBSANLEITUNG	13	RO	INSTRUCȚIUNI DE FOLOSIRE ORIGINALE	76
NL	ORIGINELE GEBRUIKSAANWIJZING	17	BG	ОРИГИНАЛНО РЪКОВОДСТВО ЗА ЕКСПЛОАТАЦИЯ	80
S	BRUKSANVISNING I ORIGINAL	21	SK	PŔOVODNÝ NÁVOD NA POUŽITIE	84
DK	ORIGINAL BRUGSANVISNING	25	HR	ORIGINALNE UPUTE ZA RAD	88
N	ORIGINAL BRUKSANVISNING	28	SRB	ORIGINALNO UPUTSTVO ZA RAD	92
FIN	ALKUPERÄISET OHJEET	31	SLO	IZVIRNA NAVODILA	95
E	MANUAL ORIGINAL	35	EST	ALGUPÄRANE KASUTUSJUHEND	99
P	MANUAL ORIGINAL	39	LV	ORIĢINĀLĀ LIETOŠANAS PAMĀCĪBA	102
I	ISTRUZIONI ORIGINALI	43	LT	ORIGINALI INSTRUKCIJA	106
H	EREDETI HASZNÁLATI UTASÍTÁS	47	MK	ИЗБОРНО УПАТСТВО ЗА РАБОТА	110
CZ	PŔVODNÍM NÁVODEM K POUŽÍVÁNÍ	51	AL	UDHËZIMET ORIGINALE	114
TR	ORİJİNAL İŞLETME TALİMATI	54	AR	دليل الاستعمال	123
PL	INSTRUKCJA ORYGINALNA	58	FA	راهنمای اصلی	121
RU	ПОДЛИННИК РУКОВОДСТВА ПО ЭКСПЛУАТАЦИИ	62			

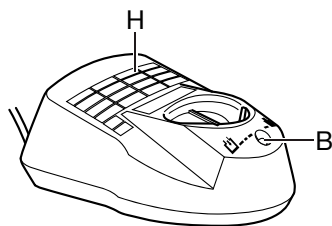
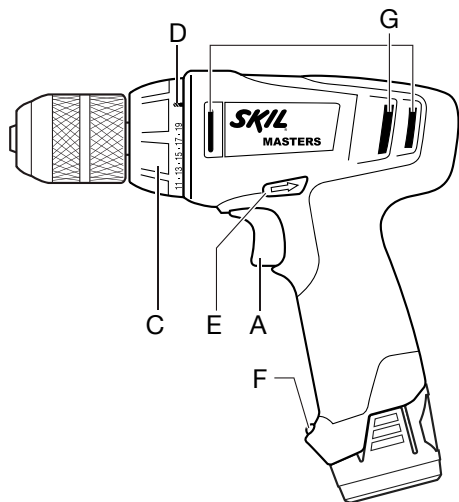
www.skilmasters.com



1 2108



2



3



4



5



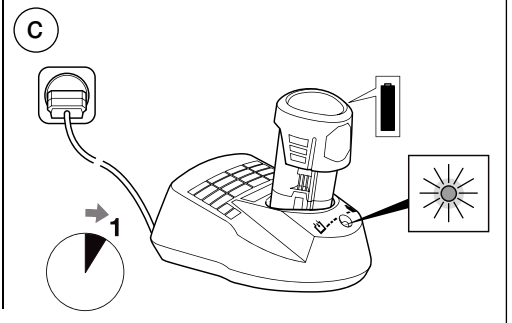
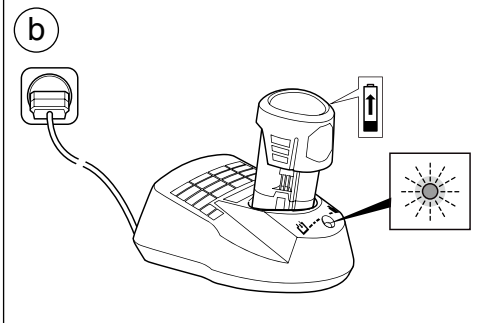
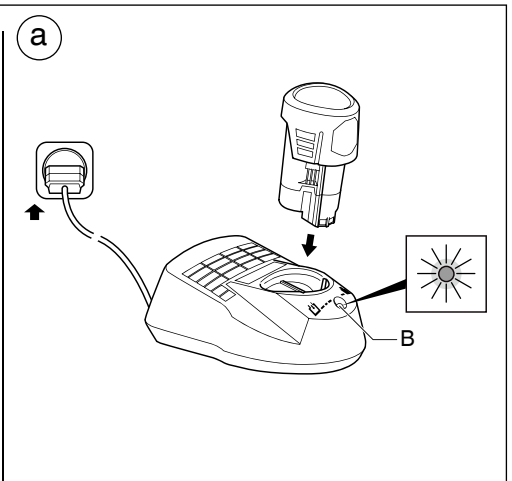
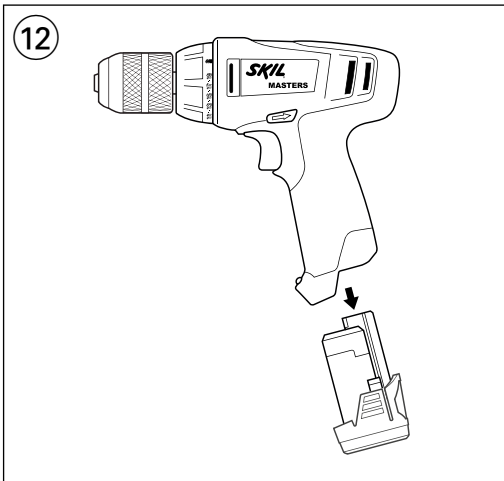
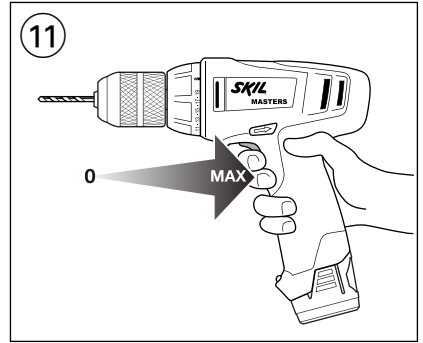
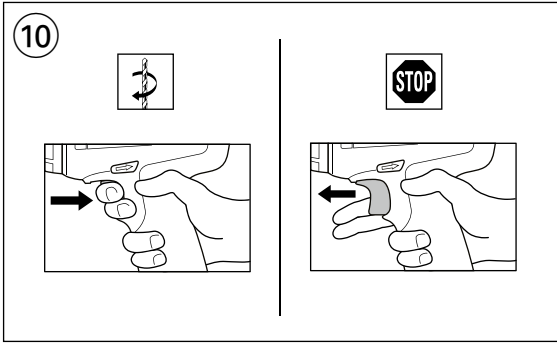
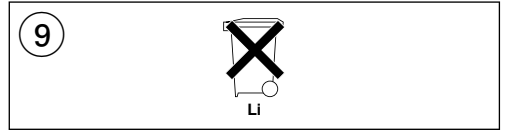
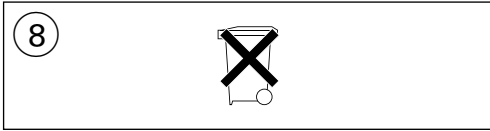
6



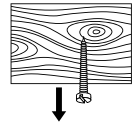
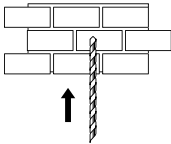
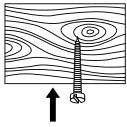
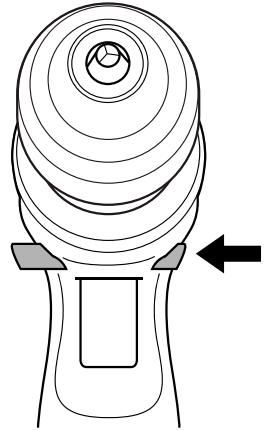
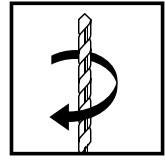
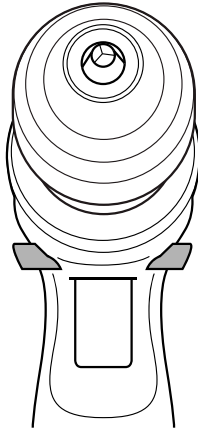
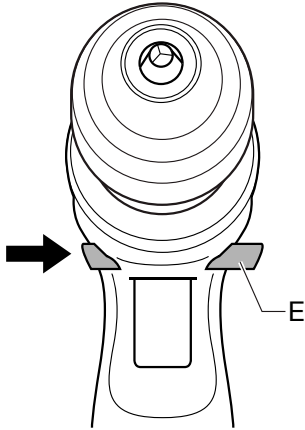
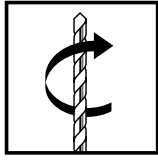
7



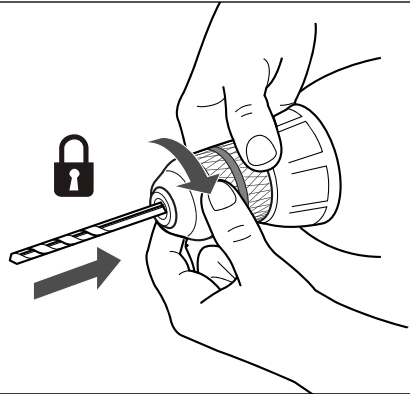
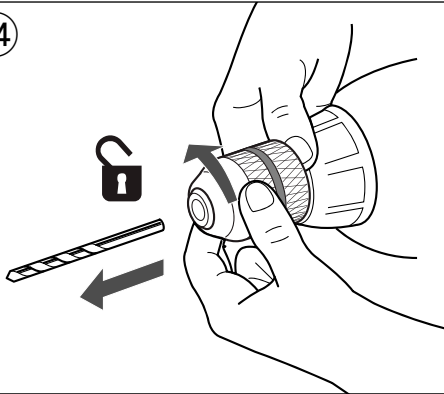
max. 50 °C



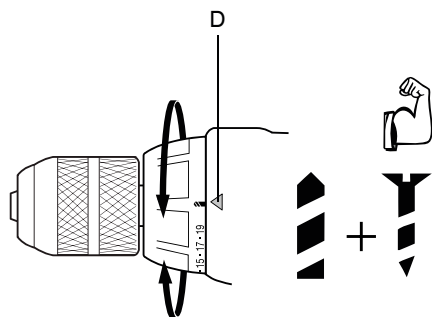
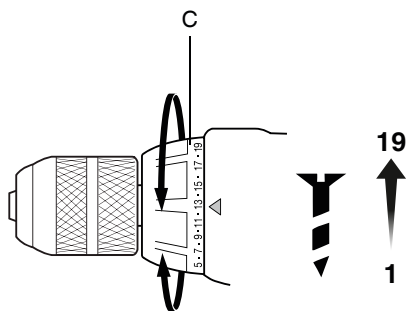
13



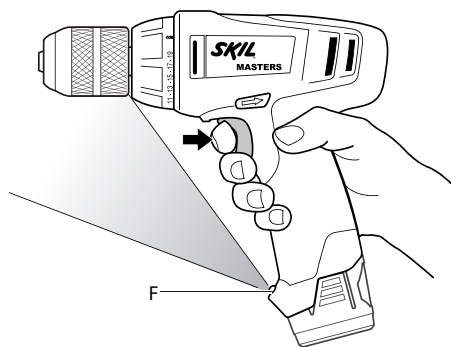
14



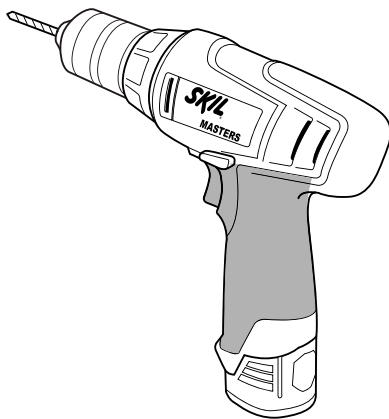
15



16



17



ACCESSORIES



WWW.SKILMASTERS.COM

Cordless drill/driver

2108

INTRODUCTION

- This tool is intended for drilling in wood, metal, ceramic and plastic; tools with electronic speed control and left/right rotation are also suitable for screwdriving and thread cutting
- The light of this power tool is intended to illuminate the power tool's direct area of working operation and is not suitable for household room illumination
- Read and save this instruction manual ③

TECHNICAL SPECIFICATIONS ①

Max. torque for hard screwdriving application according to ISO 5393 : 25Nm

TOOL ELEMENTS ②

- A Switch for on/off and speed control
- B Green charging light
- C Ring for torque control
- D Lock-position (clutch)
- E Switch for changing direction of rotation
- F Spot light
- G Ventilation slots
- H Charger

SAFETY

GENERAL SAFETY INSTRUCTIONS

⚠ WARNING! Read all safety warnings and all instructions. Failure to follow the warnings and instructions may result in electric shock, fire and/or serious injury. **Save all warnings and instructions for future reference.** The term "power tool" in the warnings refers to your mains-operated (corded) power tool or battery-operated (cordless) power tool.

1) WORK AREA SAFETY

- a) **Keep work area clean and well lit.** Cluttered or dark areas invite accidents.
- b) **Do not operate power tools in explosive atmospheres, such as in the presence of flammable liquids, gases or dust.** Power tools create sparks which may ignite the dust or fumes.
- c) **Keep children and bystanders away while operating a power tool.** Distractions can cause you to lose control.

2) ELECTRICAL SAFETY

- a) **Power tool plugs must match the outlet. Never modify the plug in any way. Do not use any adapter plugs with earthed (grounded) power tools.** Unmodified plugs and matching outlets will reduce risk of electric shock.
- b) **Avoid body contact with earthed or grounded surfaces such as pipes, radiators, ranges and refrigerators.** There is an increased risk of electric shock if your body is earthed or grounded.

- c) **Do not expose power tools to rain or wet conditions.** Water entering a power tool will increase the risk of electric shock.
 - d) **Do not abuse the cord. Never use the cord for carrying, pulling or unplugging the power tool. Keep cord away from heat, oil, sharp edges or moving parts.** Damaged or entangled cords increase the risk of electric shock.
 - e) **When operating a power tool outdoors, use an extension cord suitable for outdoor use.** Use of a cord suitable for outdoor use reduces the risk of electric shock.
 - f) **If operating a power tool in a damp location is unavoidable, use an earth leakage circuit breaker.** Use of an earth leakage circuit breaker reduces the risk of electric shock.
- #### 3) PERSONAL SAFETY
- a) **Stay alert, watch what you are doing and use common sense when operating a power tool. Do not use a power tool while you are tired or under the influence of drugs, alcohol or medication.** A moment of inattention while operating power tools may result in serious personal injury.
 - b) **Use personal protective equipment. Always wear eye protection.** Protective equipment such as dust mask, non-skid safety shoes, hard hat, or hearing protection used for appropriate conditions will reduce personal injuries.
 - c) **Prevent unintentional starting. Ensure the switch is in the off-position before connecting to power source and/or battery pack, picking up or carrying the tool.** Carrying power tools with your finger on the switch or energising power tools that have the switch on invites accidents.
 - d) **Remove any adjusting key or wrench before turning the power tool on.** A wrench or a key left attached to a rotating part of the power tool may result in personal injury.
 - e) **Do not overreach. Keep proper footing and balance at all times.** This enables better control of the power tool in unexpected situations.
 - f) **Dress properly. Do not wear loose clothing or jewelry. Keep your hair, clothing and gloves away from moving parts.** Loose clothes, jewelry or long hair can be caught in moving parts.
 - g) **If devices are provided for the connection of dust extraction and collection facilities, ensure these are connected and properly used.** Use of dust collection can reduce dust-related hazards.
- #### 4) POWER TOOL USE AND CARE
- a) **Do not force the power tool. Use the correct power tool for your application.** The correct power tool will do the job better and safer at the rate for which it was designed.
 - b) **Do not use the power tool if the switch does not turn it on and off.** Any power tool that cannot be controlled with the switch is dangerous and must be repaired.
 - c) **Disconnect the plug from the power source and/or the battery pack from the power tool before making any adjustments, changing accessories, or storing power tools.** Such preventive safety measures reduce the risk of starting the power tool accidentally.

- d) **Store idle power tools out of the reach of children and do not allow persons unfamiliar with the power tool or these instructions to operate the power tool.**

Power tools are dangerous in the hands of untrained users.

- e) **Maintain power tools. Check for misalignment or binding of moving parts, breakage of parts and any other condition that may affect the power tool's operation. If damaged, have the power tool repaired before use.** Many accidents are caused by poorly maintained power tools.

- f) **Keep cutting tools sharp and clean.** Properly maintained cutting tools with sharp cutting edges are less likely to bind and are easier to control.

- g) **Use the power tool, accessories and tool bits etc., in accordance with these instructions, taking into account the working conditions and the work to be performed.** Use of the power tool for operations different from those intended could result in a hazardous situation.

5) BATTERY TOOL USE AND CARE

- a) **Recharge only with the charger specified by the manufacturer.** A charger that is suitable for one type of battery pack may create a risk of fire when used with another battery pack.

- b) **Use power tools only with specifically designated battery packs.** Use of any other battery packs may create a risk of injury and fire.

- c) **When battery pack is not in use, keep it away from other metal objects like paper clips, coins, keys, nails, screws, or other small metal objects that can make a connection from one terminal to another.** Shorting the battery terminals together may cause burns or a fire.

- d) **Under abusive conditions, liquid may be ejected from the battery; avoid contact. If contact accidentally occurs, flush with water. If liquid contacts eyes, additionally seek medical help.** Liquid ejected from the battery may cause irritation or burns.

6) SERVICE

- a) **Have your power tool serviced by a qualified repair person using only identical replacement parts.** This will ensure that the safety of the power tool is maintained.

SAFETY INSTRUCTIONS FOR CORDLESS DRILL/DRIVERS

- Avoid damage that can be caused by screws, nails and other elements in your workpiece; remove them before you start working
- Always check that the supply voltage is the same as the voltage indicated on the nameplate of the charger
- In case of electrical or mechanical malfunction, immediately switch off the tool or unplug charger from power source
- SKIL can assure flawless functioning of the tool only when the correct accessories are used which can be obtained from your SKIL dealer
- Use only accessories with an allowable speed matching at least the highest no-load speed of the tool
- The tool/charger is not intended for use by persons (including children) with reduced physical, sensory or mental capabilities, or lack of experience and knowledge, unless they have been given supervision or instruction

concerning use of the tool/charger by a person responsible for their safety

- Ensure that children do not play with the tool/charger
- **Secure the workpiece** (a workpiece clamped with clamping devices or in a vice is held more securely than by hand)
- **Hold the power tool only by the insulated gripping surfaces when performing an operation where the accessory may contact hidden wiring or its own power cord** (contact with a "live" wire will also make exposed metal parts of the power tool "live" and shock the operator)
- **Use suitable detectors to find hidden utility lines or call the local utility company for assistance** (contact with electric lines can lead to fire or electrical shock; damaging a gas line can result in an explosion; penetrating a water pipe will cause property damage or an electrical shock)
- **Do not work materials containing asbestos** (asbestos is considered carcinogenic)
- Dust from material such as paint containing lead, some wood species, minerals and metal may be harmful (contact with or inhalation of the dust may cause allergic reactions and/or respiratory diseases to the operator or bystanders); **wear a dust mask and work with a dust extraction device when connectable**
- Certain kinds of dust are classified as carcinogenic (such as oak and beech dust) especially in conjunction with additives for wood conditioning; **wear a dust mask and work with a dust extraction device when connectable**
- Follow the dust-related national requirements for the materials you want to work with
- Ensure that switch E ② is in the middle (locking) position before making any adjustments or changing accessories as well as when carrying or storing the tool

CHARGING/BATTERIES

- Charge battery only with the charger that is supplied with the tool
- Do not touch the contacts in the charger
- Do not expose tool/charger/battery to rain
- Do not charge battery in damp or wet environments
- Store tool/charger/battery in locations where temperature will not exceed 50°C or drop below 0°C
- Do not use charger when damaged; take it to one of the officially registered SKIL Service Stations for a safety check
- Do not use charger when cord or plug is damaged; cord or plug should be replaced immediately at one of the officially registered SKIL Service Stations
- Do not use battery when damaged; it should be replaced immediately
- Do not disassemble charger or battery
- Do not attempt to recharge non-rechargeable batteries with the charger
- If you anticipate long periods of non-use for the tool, it is best to unplug the charger from its power source

EXPLANATION OF SYMBOLS ON CHARGER/BATTERY

- ③ Read the instruction manual before use
- ④ Only use the charger indoors
- ⑤ Double insulation (no earth wire required)

- ⑥ Batteries may explode when disposed of in fire, so do not burn battery for any reason
- ⑦ Store tool/charger/battery in locations where temperature will not exceed 50°C
- ⑧ Do not dispose of the charger together with household waste material
- ⑨ Do not dispose of the battery together with household waste material

WHEN CONNECTING NEW 3-PIN PLUG (U.K. ONLY):

- Do not connect the blue (= neutral) or brown (= live) wire in the cord of the charger to the earth terminal of the plug
- If for any reason the old plug is cut off the cord of the charger, it must be disposed of safely and not left unattended

USE

- On/off ⑩
- Speed control for smooth starting ⑪
- Charging battery ⑫
 - connect charger to power source as illustrated
 - green light B will turn on indicating that the charger is ready for operation ⑫a
 - insert battery into charger as illustrated ⑫b
 - green light B will blink indicating that the battery is being charged ⑫b
 - after approximately 1 hour the battery is fully charged and green light B stays on after blinking ⑫c
- ! **remove battery from charger after charging period has ended thereby lengthening the service life of the battery**

IMPORTANT:

- if green light B does not blink after inserting a battery, this may mean:
 - 1) that the battery is too cold or too hot (charger only charges batteries when its temperature is between 0°C and 45°C)
 - 2) that the battery should be replaced
- the lithium-ion battery can be charged at any time (interrupting the charging procedure does not damage the battery)
- the lithium-ion battery does not have to be empty before charging (no "memory-effect" as with nickel-cadmium batteries)
- while charging, the charger and the battery may become warm to touch; this is normal and does not indicate a problem
- ensure that the outside surface of the battery is clean and dry before inserting into charger
- do not remove battery from tool while it is running
- a significantly reduced working period after charging indicates that the battery is worn out and should be replaced
- Changing direction of rotation ⑬
 - when not properly set in left/right position, switch A ② cannot be activated
- ! **change direction of rotation only when tool is at a complete standstill**
- Changing drill bits ⑭
 - insert the bit as deep as possible in the chuck
 - use screw bits in combination with a bitholder
- ! **do not use bits with a damaged shank**
- ! **only use sharp bits**

- Torque control (VariTorque) ⑮
 - output torque will increase as clutch ring C is rotated from 1 to 19; position D will lock up the clutch to permit drilling or driving heavy duty work
 - when turning in a screw, first try VariTorque position 1 and increase until the desired depth has been reached
- Spot light F ⑯
 - Spot light F automatically lights on when activating switch A ②
- Battery protection
 - Switches off the tool automatically when
 - 1) the load is too high
 - 2) the battery temperature is not within the allowable operating temperature range of -10 to +60°C
 - 3) the lithium-ion battery is nearly empty (to protect against deep discharge)
- ! **do not continue to press the on/off switch after the tool is switched off automatically; battery may be damaged**
- Holding and guiding the tool ⑰
 - ! **while working, always hold the tool at the grey-coloured grip area(s)**
 - keep ventilation slots G ② uncovered
 - do not apply too much pressure on the tool; let the tool do the work for you


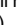
APPLICATION ADVICE

- When drilling ferrous metals
 - pre-drill a smaller hole, when a large hole is required
 - lubricate drill bit occasionally with oil
- When turning in a screw at/near the cross cut end or an edge of wood, pre-drill a hole in order to avoid cracking of the wood
- For an optimal use of the tool a steady pressure on the screw is required, especially while removing
- When screwdriving in hard wood one should pre-drill a hole

MAINTENANCE / SERVICE

- Keep tool and charger clean
 - clean charging contacts in charger with alcohol or contact cleaner
- ! **unplug charger from power source before cleaning**
- If the tool/charger should fail despite the care taken in manufacturing and testing procedures, repair should be carried out by an after-sales service centre for SKIL power tools
 - send the tool or charger **undismantled** together with proof of purchase to your dealer or the nearest SKIL service station (addresses as well as the service diagram of the tool are listed on www.skilmasters.com)
 - in case of a defective charger send **both charger and battery** to your dealer or the SKIL service station

ENVIRONMENT

- **Do not dispose of electric tools, accessories and packaging together with household waste material** (only for EU countries)
 - in observance of European Directive 2002/96/EC on waste of electric and electronic equipment and its implementation in accordance with national law, electric tools that have reached the end of their life must be collected separately and returned to an environmentally compatible recycling facility
 - symbol  will remind you of this when the need for disposing occurs
 - The battery must be kept separate from the natural environment and should not be disposed of as normal domestic waste (symbol ) will remind you of this when the need for disposing occurs
- ! prior to disposal protect battery terminals with heavy tape to prevent short-circuit**

DECLARATION OF CONFORMITY

- We declare under our sole responsibility that this product is in conformity with the following standards or standardized documents: EN 60335, EN 61000, EN 60745, EN 55014, in accordance with the provisions of the directives 2006/95/EC, 2004/108/EC, 2006/42/EC, 2011/65/EU, 2009/125/EC (EU regulation 1194/2012)
- **Technical file at:** SKIL Europe BV (PT-SEU/ENG1), 4825 BD Breda, NL

Marijn van der Hoofden
Operations & Engineering

Olaf Dijkgraaf
Approval Manager

SKIL Europe BV, 4825 BD Breda, NL

25.04.2013

 
CE 09

NOISE/VIBRATION


- Measured in accordance with EN 60745 the sound pressure level of this tool is <70 dB(A) (standard deviation: 3 dB) and the vibration \ast m/s² (hand-arm method; uncertainty K = 1.5 m/s²)
 - \ast when screwdriving <2.5 m/s²
 - \ast when drilling in metal <2.5 m/s²
 - The vibration emission level has been measured in accordance with a standardised test given in EN 60745; it may be used to compare one tool with another and as a preliminary assessment of exposure to vibration when using the tool for the applications mentioned
 - using the tool for different applications, or with different or poorly maintained accessories, may significantly **increase** the exposure level
 - the times when the tool is switched off or when it is running but not actually doing the job, may significantly **reduce** the exposure level
- ! protect yourself against the effects of vibration by maintaining the tool and its accessories, keeping your hands warm, and organizing your work patterns**

F

Perceuse/visseuse sans fil

2108

INTRODUCTION

- Cet outil est conçu pour le perçage dans le bois, le métal, la céramique et les matières plastiques; les outils avec réglage électronique de la vitesse et rotation à droite/à gauche sont également appropriés pour le vissage et le filetage
- L'éclairage de cet outil électroportatif est destiné à éclairer l'espace de travail de l'outil; il n'est pas conçu pour servir de source d'éclairage ambiant dans une pièce
- Lisez et conservez ce manuel d'instruction 

SPECIFICATIONS TECHNIQUES


Couple max. vissage dur suivant ISO 5393 : 25Nm

ELEMENTS DE L'OUTIL

- A** Interrupteur de marche/arrêt et réglage de vitesse
- B** Voyant du chargeur vert
- C** Anneau pour réglage du couple
- D** Position de verrouillage (embrayage)
- E** Commutateur pour inverser le sens de rotation
- F** Lampe
- G** Fentes de ventilation
- H** Chargeur

SECURITE

INSTRUCTIONS GENERALES DE SECURITE

 **ATTENTION! Lisez tous les avertissements de sécurité et toutes les instructions.** Ne pas suivre les avertissements et instructions peut entraîner un choc électrique, un incendie et/ou de graves blessures sur les personnes. **Conservez tous les avertissements et toutes les instructions pour pouvoir s'y reporter ultérieurement.** La notion d'"outil électroportatif" dans les avertissements se rapporte à des outils électriques raccordés au secteur (avec câble de raccordement) et à des outils électriques à batterie (sans câble de raccordement).

1) SECURITE DE LA ZONE DE TRAVAIL

- Maintenez l'endroit de travail propre et bien éclairé.**
Un lieu de travail en désordre ou mal éclairé augmente le risque d'accidents.
- N'utilisez pas l'appareil dans un environnement présentant des risques d'explosion et où se trouvent des liquides, des gaz ou poussières inflammables.** Les outils électroportatifs génèrent des étincelles risquant d'enflammer les poussières ou les vapeurs.
- Tenez les enfants et autres personnes éloignés durant l'utilisation de l'outil électroportatif.** En cas d'inattention vous risquez de perdre le contrôle sur l'appareil.