

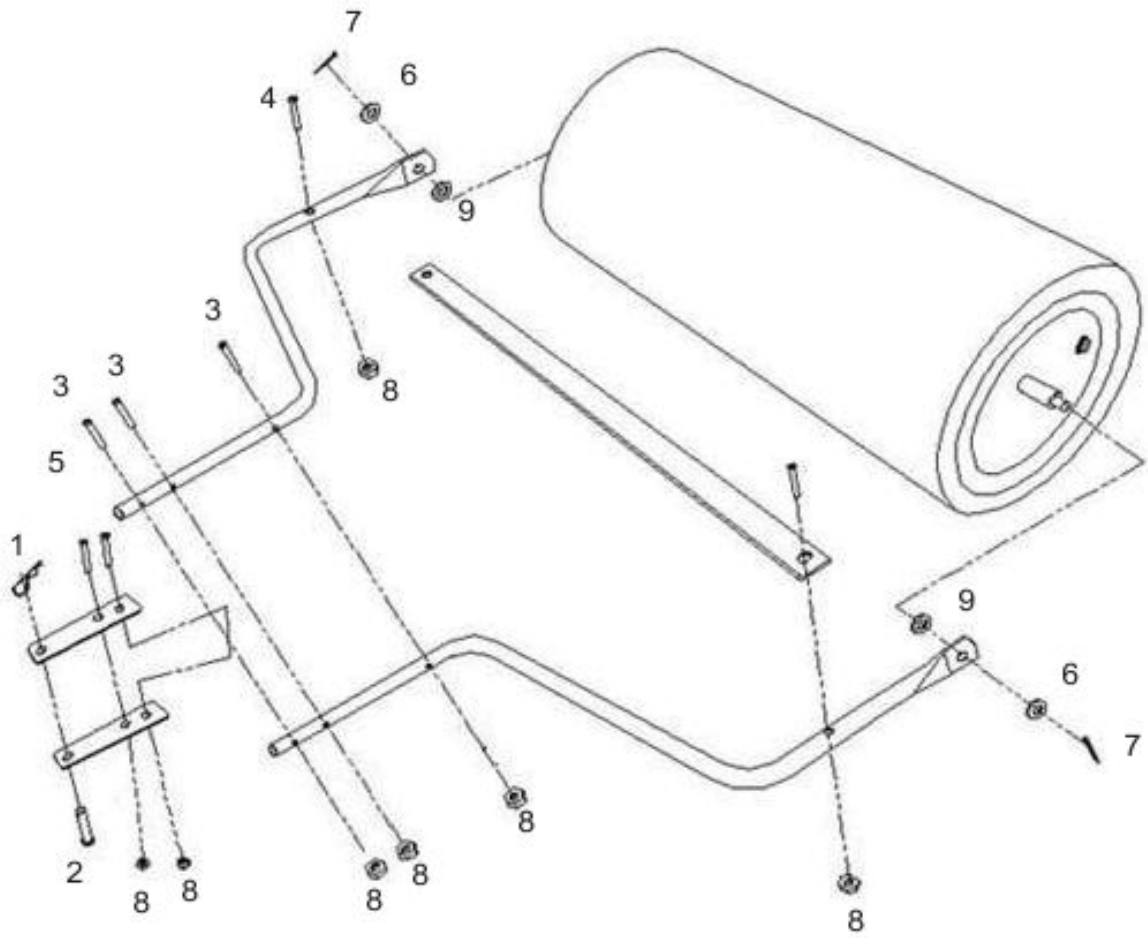


**OPERATOR'S MANUAL AND PARTS LIST
THE HANDY GARDEN ROLLER - THTGR**

Sales & Helpline 01793 333212

www.thehandy.co.uk

Before use please read & understand this manual, paying particular attention to the safety instructions.



No.	Part No.	Description	QTY
1	TH160-1	R Pin	1
2	TH160-2	Towing Bolt	1
3	TH160-3	Bolt 70mm	3
4	TH160-4	Coach Bolt 40mm	2
5	TH160-5	Bolt 55mm	2
6	TH160-6	Washer	2
7	TH166-7	Split Pin	2
8	TH160-8	Nut	7
9	TH160-9	Plastic Bush	2

Assembly Instructions

1



1. Insert a Plastic Bush onto the inside of the Drawbar.

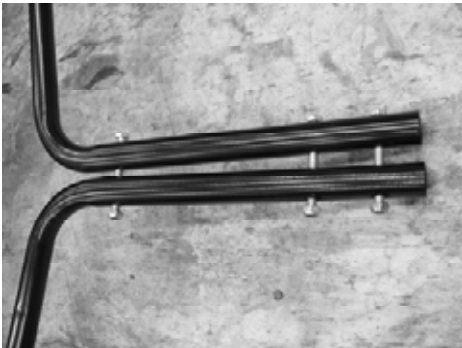
2



2. Place the Bush and Drawbar onto the Roller Shaft. The Bush should be between the Drawbar and the Roller Shaft, as shown.

Secure with a Washer and Split Pin.
Repeat for the other side.

3



3. Loosely fit the three 70mm Bolts and Nuts through both parts of the Drawbar, as shown.

4



4. Fit the two Clevis Jaws to the Drawbar using two 55mm Bolts and Nuts, ensuring that the Bolts are between the two front 70mm Bolts and the two Drawbar parts, as shown.

Assembly Instructions

5a



5. Fit the Scraper to the Drawbar assembly using the 40mm Coach Bolts and Nuts. Ensure that the scraper just clears the Roller before tightening the Nuts.

Tighten all Nuts and Bolts.

5b



6



6. Insert the Towing Pin and secure with the R-Clip, as shown.

The Roller may be filled with water or sand by removing the Fill/Drain plug, filling with the required amount and replacing the plug. If using water the Roller will need to be drained before winter storage, in order to avoid frost damage.

To order spare parts and see the complete range of garden machinery and garden equipment from Handy, visit:

www.thehandy.co.uk

Sales & Helpline: 01793 333212

