



INSTRUCTIONS FOR: DRILL POWERED WATER PUMP MODEL NO: TP51

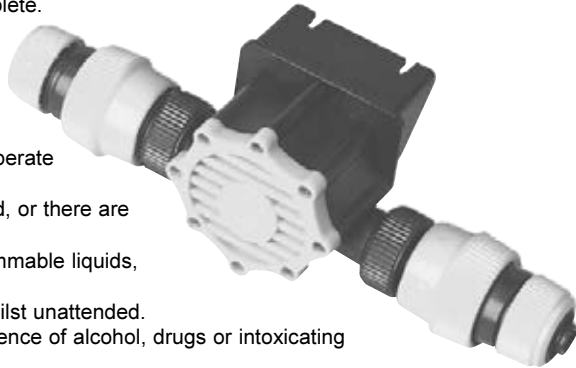
Thank you for purchasing a Sealey Product. Manufactured to a high standard this product will, if used according to these instructions and properly maintained, give you years of trouble free performance.



IMPORTANT: PLEASE READ THESE INSTRUCTIONS CAREFULLY. NOTE THE SAFE OPERATIONAL REQUIREMENTS, WARNINGS AND CAUTIONS. USE THIS PRODUCT CORRECTLY AND WITH CARE FOR THE PURPOSE FOR WHICH IT IS INTENDED. FAILURE TO DO SO MAY CAUSE DAMAGE AND/OR PERSONAL INJURY AND WILL INVALIDATE THE WARRANTY. PLEASE KEEP INSTRUCTIONS SAFE FOR FUTURE USE.

1. SAFETY INSTRUCTIONS

- ❑ **WARNING!** remove the pump from the drill before servicing or performing any maintenance.
- ✓ Maintain pump in good condition (use authorised service agent). Replace/repair damaged parts. Use recommended parts, alternative parts may be dangerous and will invalidate the warranty.
- ✓ Keep pump clean for best and safest performance and regularly check moving parts.
- ✓ Remove chuck key from the drill before operating the pump.
- ✓ Ensure there are no flammable or combustible materials near the work area.
- ✓ Wear approved safety eye protection (standard spectacles are not adequate).
- ✓ Remove ill fitting clothes, ties, watches, rings and other loose jewellery, and contain long hair.
- ✓ Maintain correct balance and footing. Ensure the floor is not slippery and wear non slip shoes.
- ✓ Keep children and unauthorised persons away from the working area.
- ✓ Keep drill on until desired task is complete.
- ✓ Avoid unintentional starting.
- x DO NOT hold the pump by hand. Secure using bolt holes provided.
- x DO NOT use the pump for a task it is not designed to perform.
- x DO NOT allow untrained persons to operate the pump.
- x DO NOT operate the pump if damaged, or there are parts missing.
- x DO NOT use pump where there is flammable liquids, solids or gases.
- x DO NOT leave the pump operating whilst unattended.
- x DO NOT use pump if tired, under influence of alcohol, drugs or intoxicating medication.
- ✓ When not in use switch drill off and remove the pump and store in a safe, dry, child proof area.



2. INTRODUCTION & SPECIFICATION

Suitable for use with electric drill with output of 350Watt or more. Composite housing supplied with two 1/2" quick release couplings. Delivers up to 1000ltr/hr of fluid at 3000rpm. Suitable for water, organic solvents, motor oil, heating oil, insecticides, pesticides, liquid fertilisers and other non-aggressive liquids.

Delivery Pressure:15psi at 3000rpm Suction Head:1mtr

3. OPERATION

- ❑ Before using the pump ensure you have read and understood the safety instructions listed in section 1.

3.1 ASSEMBLY

- 3.1.1 Minimal assembly is required for the drill powered water pump. Simply remove the components from the packaging.
- 3.1.2 Next, fit hoses to the adaptors by unscrewing the collar of the "quick release" adaptors, then insert the length of hose all the way into each adaptor and re-tighten the collar (fig 1).
- 3.1.3 Attach both adaptors to the pump, bearing in mind the direction of flow through the pump, by screwing the spouts onto the unit, then pulling back the sleeve of the adaptor and inserting onto the unit and releasing the collar. To remove the adaptors, pull back the sleeve and remove the adaptor.
- 3.1.4 The pump is supplied with moulded bolt holes, these can be used to add sturdiness to the pump by mounting it to a surface

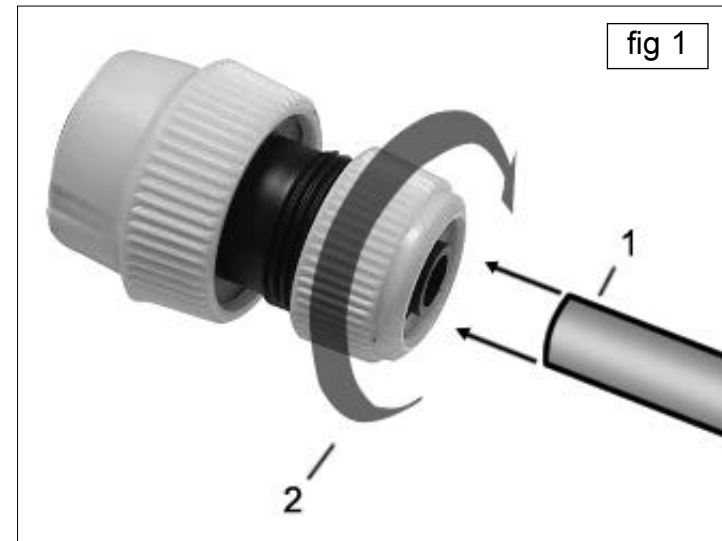
NOTE: To determine the direction of flow refer to the arrows located on the unit body each side of the driveshaft.

3.2 PREPARATION

- 3.2.1 **IMPORTANT!** Before each use, ensure you submerge the unit completely in the fluid until the unit is full, this will prime the unit and prepare it for use.

3.3 USING THE WATER PUMP

- 3.3.1 Once you have prepared the pump and connected the adaptors you can attach the drill.
- 3.3.2 Open the chuck to suitably fit the shaft of the pump and secure tightly.
- 3.3.3 Begin to drive the pump with the drill, ensuring the drill is operating in a **counter-clockwise** direction at a minimum output of 350Watt.
- 3.3.4 After use, remove the adaptors, completely drain the unit and store.



NOTE: It is our policy to continually improve products and as such we reserve the right to alter data, specifications and component parts without prior notice. **IMPORTANT:** No liability is accepted for incorrect use of this equipment. **WARRANTY:** Guarantee is 12 months from purchase date, proof of which will be required for any claim. **INFORMATION:** For a copy of our latest catalogue and promotions call us on 01284 757525 and leave your full name and address, including postcode.

| | | |
|---------------------------|---|--------------|
| SEALEY POWER TOOLS | Sole UK Distributor, Sealey Group, Bury St. Edmunds, Suffolk. | |
| | 01284 757500 | 01284 703534 |
| | E-mail: sales@sealey.co.uk Web: www.sealey.co.uk | |