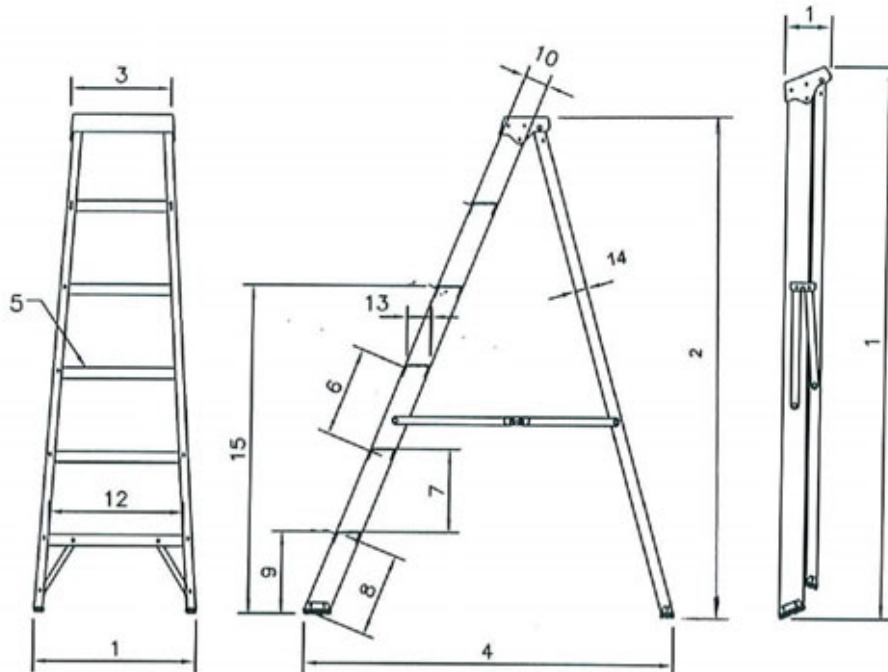


## Catwalk S400 Fiberglass Heavy Trade Step Ladder



Note: All dimensions in mm unless otherwise stated.		MODEL				
ITEM	DESCRIPTION	4 TREAD 527444	5 TREAD 527455	6 TREAD 527446	7 TREAD 527457	8 TREAD 527448
1	CLOSED HEIGHT/WIDTH/DEPTH	1251x470x153	1549x506x153	1825x543x153	2123x580x153	2242x616x153
2	OPEN HEIGHT	1099	1375	1652	1929	2200
3	OUTSIDE WIDTH AT TOP	336	336	336	336	336
4	OPEN SPREAD EXTERNAL	870	1057	1245	1426	1623
5	NUMBER OF TREADS	4	5	6	7	8
6	TREAD PITCH	298	298	298	298	298
7	VERTICAL RISE PER TREAD	277	277	277	277	277
8	BOTTOM HORN LENGTH	286	286	286	286	286
9	VERTICAL RISE GROUND TO BOTTOM RUNG	263	263	263	263	263
10	FRONT STILE WIDTH x DEPTH	81 x 28	81 x 28	81 x 28	81 x 28	81 x 28
11	REAR STILE WIDTH x DEPTH	38 x 28	38 x 28	38 x 28	38 x 28	38 x 28
12	BOTTOM TREAD WIDTH INTERNAL	376	412	449	487	522
13	TREAD DEPTH	81	81	81	81	81
14	WEIGHT (KG)	5.4	6.6	7.8	9.1	10.4
15	VERTICAL HEIGHT TO LAST CLIMBING TREAD	552	817	1103	1371	1640
16	SAFE WORKING HEIGHT	2052	2317	2603	2871	3140

**Technical Data -**

- Duty Rating: 110kg (Materials + User + Tools)
- Maximum static vertical load: 150kg
- Non Conductive to 30,000 volts
- Slip Resistant Feet
- Aluminium Treads and Fibreglass Stiles
- Integral Tool Tray

Classification: Approved to EN 131