



**Robert Bosch GmbH**  
Power Tools Division  
70745 Leinfelden-Echterdingen  
Germany

[www.bosch-pt.com](http://www.bosch-pt.com)

1 619 929 J10 (2011.04) T / 218 UNI



1 619 929 J10

## GSR/GSB Professional

36 V-Li



**de** Originalbetriebsanleitung  
**en** Original instructions  
**fr** Notice originale  
**es** Manual original  
**pt** Manual original  
**it** Istruzioni originali  
**nl** Oorspronkelijke  
gebruiksaanwijzing  
**da** Original brugsanvisning  
**sv** Bruksanvisning i original  
**no** Original driftsinstruks  
**fi** Alkuperäiset ohjeet

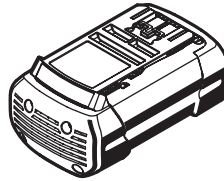
**el** Πρωτότυπο οδηγιών χρήσης  
**tr** Orijinal işletme talimatı  
**pl** Instrukcja oryginalna  
**cs** Původní návod k používání  
**sk** Pôvodný návod na použitie  
**hu** Eredeti használati utasítás  
**ru** Оригинальное руководство по  
эксплуатации  
**uk** Оригінальна інструкція з  
експлуатації  
**ro** Instrucțiuni originale  
**bg** Оригинална инструкция

**sr** Originalno uputstvo za rad  
**sl** Izvirna navodila  
**hr** Originalne upute za rad  
**et** Algupärane kasutusjuhend  
**lv** Instrukcijas oriģinālvalodā  
**lt** Originali instrukcija  
**ar** تعليمات التشغيل الأصلية  
**fa** راهنمای طرز کار اصلی

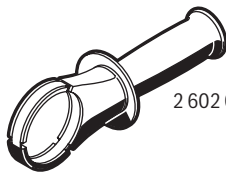




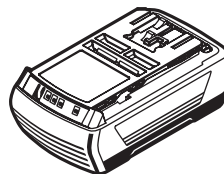
2 608 572 182



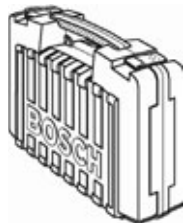
**36 V (Li-Ion)**  
2 607 336 108 (2,6 Ah)



2 602 025 134



**36 V (Li-Ion)**  
2 607 336 002 (1,3 Ah)

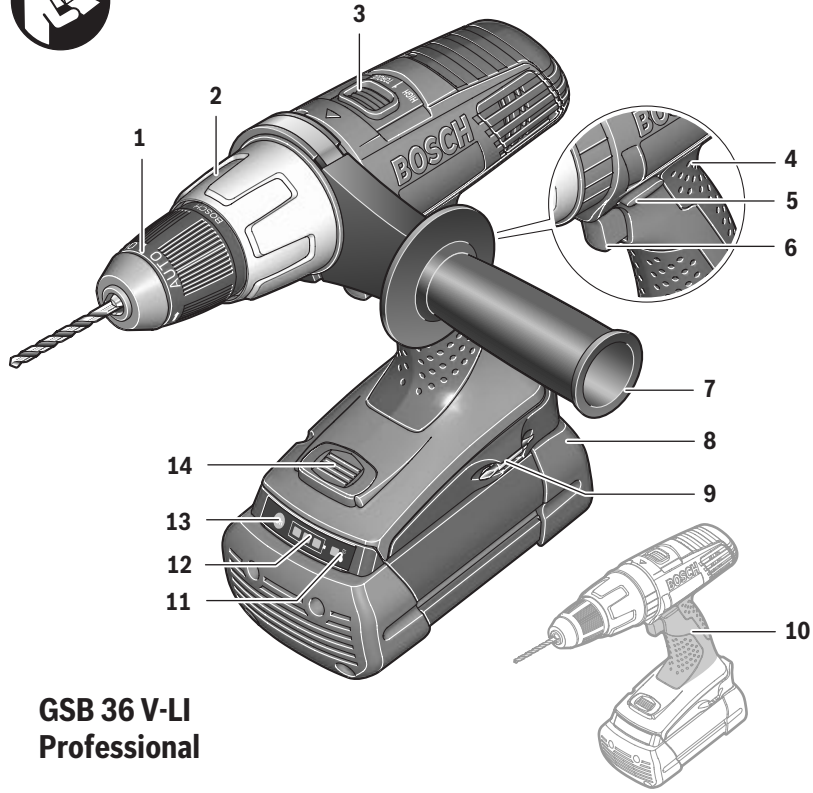


2 605 438 587

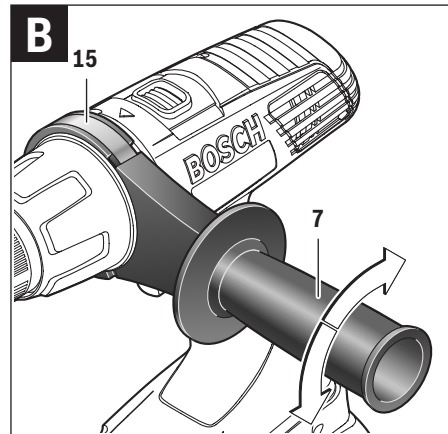
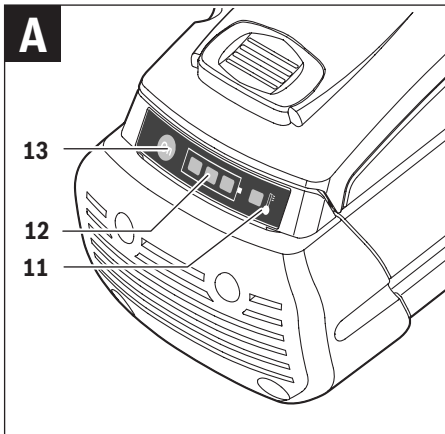


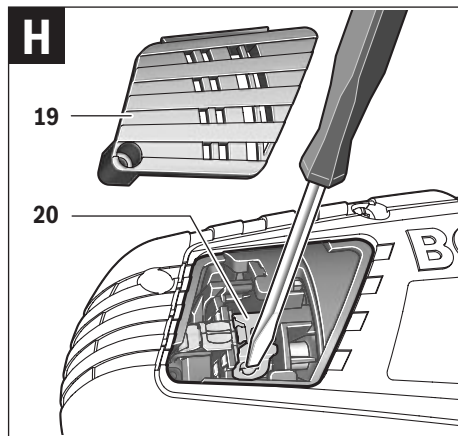
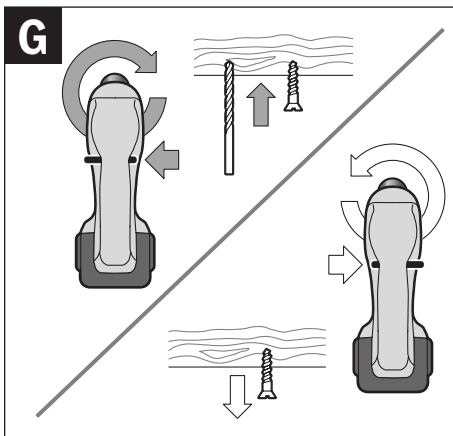
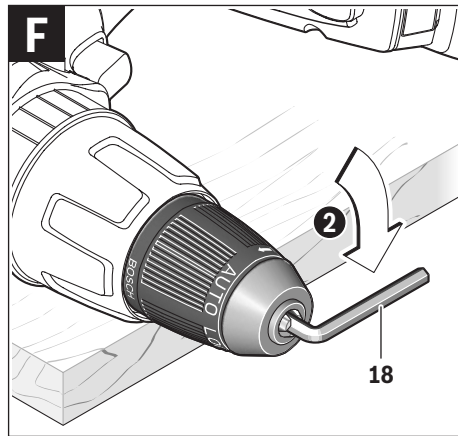
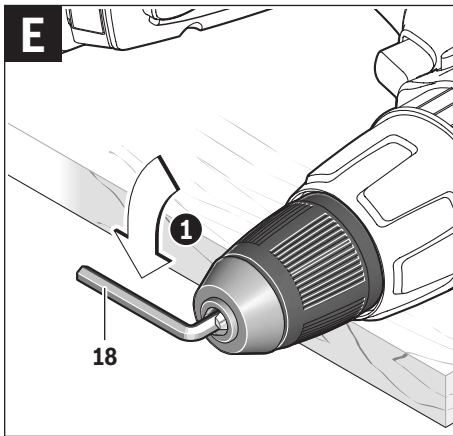
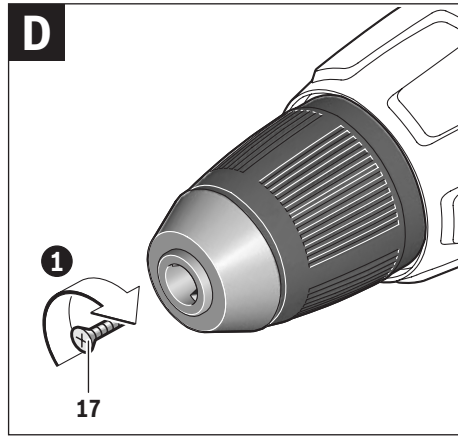
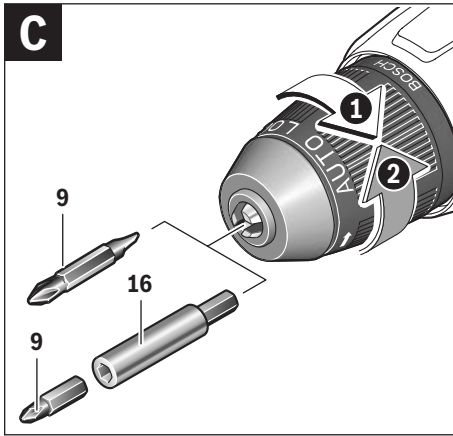
**AL 3640 CV (36 V)**  
2 607 225 100 (EU)  
2 607 225 102 (UK)





**GSB 36 V-LI  
Professional**





## 14 | English

- ▶ **If devices are provided for the connection of dust extraction and collection facilities, ensure these are connected and properly used.** Use of dust collection can reduce dust-related hazards.

**Power tool use and care**

- ▶ **Do not force the power tool. Use the correct power tool for your application.** The correct power tool will do the job better and safer at the rate for which it was designed.
- ▶ **Do not use the power tool if the switch does not turn it on and off.** Any power tool that cannot be controlled with the switch is dangerous and must be repaired.
- ▶ **Disconnect the plug from the power source and/or the battery pack from the power tool before making any adjustments, changing accessories, or storing power tools.** Such preventive safety measures reduce the risk of starting the power tool accidentally.
- ▶ **Store idle power tools out of the reach of children and do not allow persons unfamiliar with the power tool or these instructions to operate the power tool.** Power tools are dangerous in the hands of untrained users.
- ▶ **Maintain power tools. Check for misalignment or binding of moving parts, breakage of parts and any other condition that may affect the power tool's operation. If damaged, have the power tool repaired before use.** Many accidents are caused by poorly maintained power tools.
- ▶ **Keep cutting tools sharp and clean.** Properly maintained cutting tools with sharp cutting edges are less likely to bind and are easier to control.
- ▶ **Use the power tool, accessories and tool bits etc. in accordance with these instructions, taking into account the working conditions and the work to be performed.** Use of the power tool for operations different from those intended could result in a hazardous situation.

**Battery tool use and care**

- ▶ **Recharge only with the charger specified by the manufacturer.** A charger that is suitable for one type of battery pack may create a risk of fire when used with another battery pack.
- ▶ **Use power tools only with specifically designated battery packs.** Use of any other battery packs may create a risk of injury and fire.
- ▶ **When battery pack is not in use, keep it away from other metal objects, like paper clips, coins, keys, nails, screws or other small metal objects, that can make a connection from one terminal to another.** Shorting the battery terminals together may cause burns or a fire.
- ▶ **Under abusive conditions, liquid may be ejected from the battery; avoid contact. If contact accidentally occurs, flush with water. If liquid contacts eyes, additionally seek medical help.** Liquid ejected from the battery may cause irritation or burns.

**Service**

- ▶ **Have your power tool serviced by a qualified repair person using only identical replacement parts.** This will ensure that the safety of the power tool is maintained.

**Safety Warnings for Drills and Screwdriver****GSB 36 V-LI:**

- ▶ **Wear ear protectors when impact drilling.** Exposure to noise can cause hearing loss.

**GSR 36 V-LI/GSB 36 V-LI:**

- ▶ **Use auxiliary handle(s), if supplied with the tool.** Loss of control can cause personal injury.
- ▶ **Hold power tool by insulated gripping surfaces, when performing an operation where the cutting accessory or fastener may contact hidden wiring.** Cutting accessory and fasteners contacting a "live" wire may make exposed metal parts of the power tool "live" and could give the operator an electric shock.
- ▶ **Hold the machine with a firm grip.** High reaction torque can briefly occur while driving in and loosening screws.
- ▶ **Use appropriate detectors to determine if utility lines are hidden in the work area or call the local utility company for assistance.** Contact with electric lines can lead to fire and electric shock. Damaging a gas line can lead to explosion. Penetrating a water line causes property damage.
- ▶ **Switch off the power tool immediately when the tool insert jams. Be prepared for high reaction torque that can cause kickback.** The tool insert jams when:
  - the power tool is subject to overload or
  - it becomes wedged in the workpiece.
- ▶ **When working with the machine, always hold it firmly with both hands and provide for a secure stance.** The power tool is guided more secure with both hands.
- ▶ **Secure the workpiece.** A workpiece clamped with clamping devices or in a vice is held more secure than by hand.
- ▶ **Always wait until the machine has come to a complete stop before placing it down.** The tool insert can jam and lead to loss of control over the power tool.
- ▶ **Do not open the battery.** Danger of short-circuiting.



**Protect the battery against heat, e. g., against continuous intense sunlight, fire, water, and moisture.** Danger of explosion.

- ▶ **In case of damage and improper use of the battery, vapours may be emitted. Provide for fresh air and seek medical help in case of complaints.** The vapours can irritate the respiratory system.
- ▶ **Use the battery only in conjunction with your Bosch power tool.** This measure alone protects the battery against dangerous overload.
- ▶ **Use only original Bosch batteries with the voltage listed on the nameplate of your power tool.** When using other batteries, e. g. imitations, reconditioned batteries or other brands, there is danger of injury as well as property damage through exploding batteries.

## Product Description and Specifications



**Read all safety warnings and all instructions.** Failure to follow the warnings and instructions may result in electric shock, fire and/or serious injury.

While reading the operating instructions, unfold the graphics page for the machine and leave it open.

### Intended Use

#### GSR 36 V-LI

The machine is intended for driving in and loosening screws as well as for drilling in wood, metal, ceramic and plastic.

#### GSB 36 V-LI

The machine is intended for driving in and loosening screws as well as for drilling in wood, metal, ceramic and plastic and for impact drilling in brick, brickwork and stone.

## Product Features

The numbering of the product features refers to the illustration of the machine on the graphics page.

- 1 Keyless chuck
- 2 Torque presetting ring
- 3 Gear selector
- 4 Soft grip
- 5 Rotational direction switch
- 6 On/Off switch
- 7 Auxiliary handle
- 8 Battery
- 9 Screwdriver bit\*
- 10 Handle (insulated gripping surface)
- 11 Temperature control indicator
- 12 Battery charge-control indicator
- 13 Button for charge-control indicator
- 14 Battery unlocking button
- 15 Auxiliary handle clamping band
- 16 Universal bit holder\*
- 17 Securing screw for keyless chuck
- 18 Allen key\*
- 19 Cover lid
- 20 Brush holder

\*Accessories shown or described are not part of the standard delivery scope of the product. A complete overview of accessories can be found in our accessories program.

## Technical Data

Cordless Drill/Driver Combination Cordless Drill	GSR 36 V-LI Professional		
		3 601 J12 1..	3 601 J13 1..
Article number		3 601 J12 1..	3 601 J13 1..
Rated voltage	V=	36	36
No-load speed			
– 1st gear	min <sup>-1</sup>	0–400	0–450
– 2nd gear	min <sup>-1</sup>	0–1400	0–1500
Impact rate	min <sup>-1</sup>	–	0–18000
Torque adjustment range	Nm	1–9	1–9
Max. torque for hard/soft screwdriving application according to ISO 5393			
– with 2.6 Ah battery	Nm	80/40	80/34
– with 1.3 Ah "compact" battery	Nm	80/35	78/32
Max. drilling dia.			
– Steel	mm	16	16
– Wood	mm	50	50
– Brickwork	mm	–	16
Max. screw dia.	mm	12	12
Chuck clamping range	mm	1.5–13	1.5–13
Drill spindle thread		1/2"	1/2"
Weight according to EPTA-Procedure 01/2003	kg	2.5	2.7

Please observe the article number on the type plate of your machine. The trade names of the individual machines may vary.

## 16 | English

**Noise/Vibration Information**

Measured sound values determined according to EN 60745.

**GSR 36 V-LI**

Typically the A-weighted sound pressure level of the product is less than 70 dB(A). Uncertainty K = 3 dB.

The noise level when working can exceed 80 dB(A).

**Wear hearing protection!**

Vibration total values (triax vector sum) determined according to EN 60745:

Drilling into metal: Vibration emission value  $a_{h1} < 2.5 \text{ m/s}^2$ ,

Uncertainty K = 1.5  $\text{m/s}^2$ ,

Screwdriving: Vibration emission value  $a_{h1} < 2.5 \text{ m/s}^2$ ,

Uncertainty K = 1.5  $\text{m/s}^2$ .

**GSB 36 V-LI**

Typically the A-weighted noise levels of the product are: Sound pressure level 86 dB(A); Sound power level 97 dB(A). Uncertainty K = 3 dB.

**Wear hearing protection!**

Vibration total values (triax vector sum) determined according to EN 60745:

Drilling into metal: Vibration emission value  $a_{h1} = 3.0 \text{ m/s}^2$ ,

Uncertainty K = 1.5  $\text{m/s}^2$ ,

Impact drilling into concrete: Vibration emission value

$a_{h1} = 11.5 \text{ m/s}^2$ , Uncertainty K = 1.5  $\text{m/s}^2$ ,

Screwdriving without impact: Vibration emission value

$a_{h1} < 2.5 \text{ m/s}^2$ , Uncertainty K = 1.5  $\text{m/s}^2$ .

**GSR 36 V-LI/GSB 36 V-LI**

The vibration emission level given in this information sheet has been measured in accordance with a standardised test given in EN 60745 and may be used to compare one tool with another. It may be used for a preliminary assessment of exposure.

The declared vibration emission level represents the main applications of the tool. However if the tool is used for different applications, with different accessories or poorly maintained, the vibration emission may differ. This may significantly increase the exposure level over the total working period.

An estimation of the level of exposure to vibration should also take into account the times when the tool is switched off or when it is running but not actually doing the job. This may significantly reduce the exposure level over the total working period.

Identify additional safety measures to protect the operator from the effects of vibration such as: maintain the tool and the accessories, keep the hands warm, organisation of work patterns.

**Declaration of Conformity** 

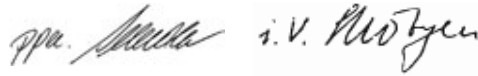
We declare under our sole responsibility that the product described under "Technical Data" is in conformity with the following standards or standardization documents: EN 60745 according to the provisions of the directives 2004/108/EC, 2006/42/EC.

Technical file at:

Robert Bosch GmbH, PT/ESC,  
D-70745 Leinfelden-Echterdingen

Dr. Egbert Schneider  
Senior Vice President  
Engineering

Dr. Eckerhard Strötgen  
Head of Product  
Certification



Robert Bosch GmbH, Power Tools Division  
D-70745 Leinfelden-Echterdingen  
Leinfelden, 25.03.2011

**Assembly****Battery Charging**

► **Use only the battery chargers listed on the accessories page.** Only these battery chargers are matched to the lithium ion battery of your power tool.

**Note:** The battery is supplied partially charged. To ensure full capacity of the battery, completely charge the battery in the battery charger before using your power tool for the first time.

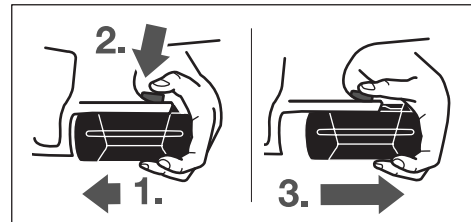
The lithium-ion battery can be charged at any time without reducing its service life. Interrupting the charging procedure does not damage the battery.

The lithium-ion battery is protected against deep discharging by the "Electronic Cell Protection (ECP)". When the battery is empty, the machine is switched off by means of a protective circuit: The inserted tool no longer rotates.

**⚠ WARNING** **Do not continue to press the On/Off switch after the machine has been automatically switched off.** The battery can be damaged.

**Removing the Battery**

The battery **8** is equipped with two locking levels that should prevent the battery from falling out when pushing the battery unlocking button **14** unintentionally. As long as the battery is inserted in the power tool, it is held in position by means of a spring.



To remove the battery **8**:

- Push the battery against the base of the power tool (1.) and at the same time press the battery unlocking button **14** (2.).
- Pull the battery out of the power tool until a red stripe becomes visible (3.).
- Press the battery unlocking button **14** again and pull out the battery completely.

**Battery Charge-control Indication (see figure A)**

The three green LEDs of the battery charge-control indicator **12** indicate the charge condition of the battery **8**. For safety reasons, it is only possible to check the status of the charge condition when the machine is at a standstill.



Push button **13** to indicate the charge condition (also possible when the battery is removed). The battery charge-control indicator automatically goes out after approx. 5 seconds.

LED	Capacity
Continuous lighting 3 x green	≥ 2/3
Continuous lighting 2 x green	≥ 1/3
Continuous lighting 1 x green	< 1/3
Flashing light 1 x green	Reserve

When no LED lights up after pushing button **13**, then the battery is defective and must be replaced.

During the charging procedure, the three green LEDs light up one after the other and briefly go out. The battery is fully charged when the three green LEDs light up continuously. The three LEDs go out again approx. 5 minutes after the battery has been fully charged.

The battery is equipped with a NTC temperature control which allows charging only within a temperature range of between 0 °C and 45 °C. A long battery service life is achieved in this manner.

### Auxiliary Handle (see figure B)

► **Before any work on the machine (e. g., maintenance, tool change, etc.) as well as during transport and storage, set the rotational direction switch to the centre position.** Unintentional actuation of the On/Off switch can lead to injuries.

► **Operate your machine only with the auxiliary handle 7.**

The auxiliary handle **7** can be set to any position for a secure and low-fatigue working posture.

Turn the bottom part of the auxiliary handle **7** in counterclockwise direction and swivel the auxiliary handle **7** to the desired position. Then retighten the bottom part of the auxiliary handle **7** by turning in clockwise direction.

The clamping band **15** of the auxiliary handle must be seated in the corresponding groove.

### Changing the Tool (see figure C)

► **Before any work on the machine (e. g., maintenance, tool change, etc.) as well as during transport and storage, set the rotational direction switch to the centre position.** Unintentional actuation of the On/Off switch can lead to injuries.

The drill spindle is locked when the On/Off switch **6** is not pressed. This makes quick, convenient and easy changing of the tool in the drill chuck possible.

Open the keyless chuck **1** by turning in rotation direction **1**, until the tool can be inserted.

Firmly tighten the collar of the keyless chuck **1** by hand in rotation direction **2** until the locking action ("click") is no longer heard. This automatically locks the chuck.

The locking is released again to remove the tool when the collar is turned in the opposite direction.

### Replacing the Drill Chuck

► **Before any work on the machine (e. g., maintenance, tool change, etc.) as well as during transport and storage, set the rotational direction switch to the centre position.** Unintentional actuation of the On/Off switch can lead to injuries.

#### Removing the Securing Screw (see figure D)

The keyless chuck **1** is secured with a securing screw **17** against unintentional loosening from the drill spindle. Completely open the keyless chuck **1** and unscrew the securing screw **17** in rotation direction **1**. **Please note that the securing screw has a left-hand thread.**

#### Removing the Drill Chuck (see figure E)

Clamp the short end of an Allen key **18** into the keyless chuck **1**. Place the machine on a stable surface (e. g. a workbench). Hold the machine firmly and loosen the keyless chuck **1** by turning the Allen key **18** in rotation direction **1**. Loosen a tight-seated keyless chuck by giving the long end of the Allen key **18** a light blow. Remove the Allen key from the keyless chuck and completely unscrew the keyless chuck.

#### Mounting the Drill Chuck (see figure F)

The keyless chuck is mounted in reverse order.

**Note:** After mounting the keyless chuck, screw the securing screw **17** in again.



**The drill chuck must be tightened with a tightening torque of approx. 10 – 25 Nm.**

### Dust/Chip Extraction

► Dusts from materials such as lead-containing coatings, some wood types, minerals and metal can be harmful to one's health. Touching or breathing-in the dusts can cause allergic reactions and/or lead to respiratory infections of the user or bystanders.

Certain dusts, such as oak or beech dust, are considered as carcinogenic, especially in connection with wood-treatment additives (chromate, wood preservative). Materials containing asbestos may only be worked by specialists.

- Provide for good ventilation of the working place.
- It is recommended to wear a P2 filter-class respirator.

Observe the relevant regulations in your country for the materials to be worked.

► **Prevent dust accumulation at the workplace.** Dusts can easily ignite.

## Operation

### Starting Operation

#### Inserting the Battery

► **Use only original Bosch lithium ion batteries with the voltage listed on the nameplate of your power tool.**

Using other batteries can lead to injuries and pose a fire hazard.

Set the rotational direction switch **5** to the centre position to protect the power tool against accidental starting.



## 18 | English

Insert the charged battery **8** from the front into the base of the power tool. Push the battery completely into the base until the red stripe can no longer be seen and the battery is securely locked.

**Reversing the Rotational Direction (see figure G)**

The rotational direction switch **5** is used to reverse the rotational direction of the machine. However, this is not possible with the On/Off switch **6** actuated.

**Right Rotation:** For drilling and driving in screws, push the rotational direction switch **5** left to the stop.

**Left Rotation:** For loosening and unscrewing screws and nuts, press the rotational direction switch **5** through to the right stop.

**Setting the Torque**

The required torque can be preselected in 15 steps with the torque preselection ring **2**. With the correct setting, the insert tool is stopped as soon as the screw is screwed flush into the material or when the set torque is reached.

Select a higher setting when driving out screws, or set to the symbol "Drilling".

**Gear Selection, Mechanical**

► **The gear selector 3 can be actuated at standstill or when the machine is running. However, this should not be done while operating at full load or maximum speed.**

Two speed ranges can be preselected with the gear selector **3**.

**Gear I:**

Low speed range; for screwdriving or working with large drilling diameter.

**Gear II:**

High speed range; for working with small drilling diameter.

If the gear selector **3** cannot be pushed through to the stop, lightly turn the drill chuck with drill.

**Setting the Operating Mode****Drilling and Screwdriving**

Set the preselection ring **2** to the "Drilling without impact" symbol.

**Impact Drilling (GSB 36 V-LI)**

Set the preselection ring **2** to the "Impact drilling" symbol.

**Switching On and Off**

To **start** the machine, press the On/Off switch **6** and keep it pressed.

To switch off the machine, **release** the On/Off switch **6**.

**Adjusting the Speed**

The speed of the switched on power tool can be variably adjusted, depending on how far the On/Off switch **6** is pressed.

Light pressure on the On/Off switch **6** results in a low rotational speed. Further pressure on the switch results in an increase in speed.

**Fully automatic spindle locking (Auto-lock)**

When the On/Off switch **6** is not pressed, the drill spindle and thus the tool holder are locked.

This enables screws to be screwed in, even when the battery is empty and allows for the machine to be used as a screwdriver.

**Run-on Brake**

When the On/Off switch **6** is released, the chuck brakes to a stop, thus preventing the run-on of the tool.

When driving in screws, wait until the screw is screwed in flush with the material and then release the On/Off switch **6**. By doing so, the head of the screw does not penetrate into the material.

**Temperature Control Indicator**

The red LED of the temperature control indicator **11** signals that the battery or the electronics of the power tool (when the battery is inserted) are not within the optimum temperature range. In this case, the power tool will not operate at full capacity.

Temperature control of the battery:

- The red LED **11** lights up continuously after inserting the battery into the charger: The battery is not within the charging temperature range between 0 °C and 45 °C and cannot be charged.
- The red LED **11** flashes when pushing button **13** or pressing the On/Off switch **6** (when the battery is inserted): The battery is not within the temperature range for operation of –10 °C to +60 °C.
- For battery temperatures over 70 °C, the power tool switches off until the battery is in the optimal temperature range again.

Temperature control of the power tool electronics:

- The red LED **11** lights up continuously when pressing the On/Off switch **6**: The temperature of the machine's electronics is below 5 °C or above 75 °C.
- At a temperature above 90 °C, the electronics of the power tool switch off until the temperature is within the allowable temperature range again.

**Working Advice**

► **Apply the power tool to the screw/nut only when it is switched off.** Rotating tool inserts can slip off.

**Soft Grip**

The gripping surface (soft grip) **4** reduces the danger of slipping and thereby improves the grip on the machine and the handling.

At the same time, the rubber coating achieves a vibration-reducing effect.

**Tips**

After longer periods of working at low speed, allow the machine to cool down by running it for approx. 3 minutes at maximum speed with no load.

For drilling in metal, use only perfectly sharpened HSS drill bits (HSS = high-speed steel). The appropriate quality is guaranteed by the Bosch accessories program.

Before screwing larger, longer screws into hard materials, it is advisable to predrill a pilot hole with the core diameter of the thread to approx.  $\frac{2}{3}$  of the screw length.

**Recommendations for Optimal Handling of the Battery**

Protect the battery against moisture and water.

Store the battery only within a temperature range between 0 °C and 50 °C. As an example, do not leave the battery in the car in summer.

Occasionally clean the venting slots of the battery using a soft, clean and dry brush.

A significantly reduced working period after charging indicates that the battery is used and must be replaced.

Observe the notes for disposal.

**Maintenance and Service****Maintenance and Cleaning**

- ▶ **Before any work on the machine itself (e. g. maintenance, tool change, etc.) as well as during transport and storage, remove the battery from the power tool.**

There is danger of injury when unintentionally actuating the On/Off switch.

- ▶ **For safe and proper working, always keep the machine and ventilation slots clean.**

If the machine should fail despite the care taken in manufacturing and testing procedures, repair should be carried out by an after-sales service centre for Bosch power tools.

In all correspondence and spare parts order, please always include the 10-digit article number given on the type plate of the machine.

**Replacing the Carbon Brushes (see figure H)**

When the carbon brushes are worn, the power tool switches off automatically. For replacement of the carbon brushes, unscrew the screws of the cover lids **19** and remove the cover lids **19**. Insert a screwdriver or similar into the notch of the brush holder **20** and carefully pry it out. Remove the used carbon brushes and replace them. The new carbon brushes can also be inserted when turned by 180°. Lightly press the inserted carbon brushes downward until they can be clearly heard to engage. Afterwards mount the cover lids **19** again.

**After-sales Service and Customer Assistance**

Our after-sales service responds to your questions concerning maintenance and repair of your product as well as spare parts. Exploded views and information on spare parts can also be found under:

**www.bosch-pt.com**

Our customer service representatives can answer your questions concerning possible applications and adjustment of products and accessories.

**Great Britain**

Robert Bosch Ltd. (B.S.C.)  
P.O. Box 98  
Broadwater Park  
North Orbital Road  
Denham  
Uxbridge  
UB 9 5HJ

Tel. Service: +44 (0844) 736 0109

Fax: +44 (0844) 736 0146

E-Mail: boschservicecentre@bosch.com

**Ireland**

Origo Ltd.

Unit 23 Magna Drive

Magna Business Park

City West

Dublin 24

Tel. Service: +353 (01) 4 66 67 00

Fax: +353 (01) 4 66 68 88

**Australia, New Zealand and Pacific Islands**

Robert Bosch Australia Pty. Ltd.

Power Tools

Locked Bag 66

Clayton South VIC 3169

Customer Contact Center

Inside Australia:

Phone: +61 (01300) 307 044

Fax: +61 (01300) 307 045

Inside New Zealand:

Phone: +64 (0800) 543 353

Fax: +64 (0800) 428 570

Outside AU and NZ:

Phone: +61 (03) 9541 5555

www.bosch.com.au

**Republic of South Africa****Customer service**

Hotline: +27 (011) 6 51 96 00

**Gauteng – BSC Service Centre**

35 Roper Street, New Centre

Johannesburg

Tel.: +27 (011) 4 93 93 75

Fax: +27 (011) 4 93 01 26

E-Mail: bsctools@icon.co.za

**KZN – BSC Service Centre**

Unit E, Almar Centre

143 Crompton Street

Pinetown

Tel.: +27 (031) 7 01 21 20

Fax: +27 (031) 7 01 24 46

E-Mail: bsc.dur@za.bosch.com

**Western Cape – BSC Service Centre**

Democracy Way, Prosperity Park

Milnerton

Tel.: +27 (021) 5 51 25 77

Fax: +27 (021) 5 51 32 23

E-Mail: bsc@zsd.co.za

**Bosch Headquarters**

Midrand, Gauteng

Tel.: +27 (011) 6 51 96 00

Fax: +27 (011) 6 51 98 80

E-Mail: rbsa-hq.pts@za.bosch.com

## 20 | English

**People's Republic of China****China Mainland**

Bosch Power Tools (China) Co., Ltd.  
567, Bin Kang Road  
Bin Jiang District 310052  
Hangzhou, P. R. China  
Service Hotline: 400 826 8484  
Fax: +86 571 8777 4502  
E-Mail: contact.ptcn@cn.bosch.com  
www.bosch-pt.com.cn

**HK and Macau Special Administrative Regions**

Robert Bosch Hong Kong Co. Ltd.  
21st Floor, 625 King's Road  
North Point, Hong Kong  
Customer Service Hotline: +852 (21) 02 02 35  
Fax: +852 (25) 90 97 62  
E-Mail: info@hk.bosch.com  
www.bosch-pt.com.hk

**Indonesia**

PT. Multi Tehaka  
Kawasan Industri Pulogadung  
Jalan Rawa Gelam III No. 2  
Jakarta 13930  
Indonesia  
Tel.: +62 (21) 46 83 25 22  
Fax: +62 (21) 46 82 86 45/68 23  
E-Mail: sales@multitehaka.co.id  
www.multitehaka.co.id

**Philippines**

Robert Bosch, Inc.  
28th Floor Fort Legend Towers,  
3rd Avenue corner 31st Street,  
Fort Bonifacio Global City,  
1634 Taguig City, Philippines  
Tel.: +63 (2) 870 3871  
Fax: +63 (2) 870 3870  
matheus.contiero@ph.bosch.com  
www.bosch-pt.com.ph  
  
Bosch Service Center:  
9725-27 Kamagong Street  
San Antonio Village  
Makati City, Philippines  
Tel.: +63 (2) 899 9091  
Fax: +63 (2) 897 6432  
rosalie.dagdagan@ph.bosch.com

**Malaysia**

Robert Bosch (S.E.A.) Pte. Ltd.  
No. 8A, Jalan 13/6  
G.P.O. Box 10818  
46200 Petaling Jaya  
Selangor, Malaysia  
Tel.: +60 (3) 7966 3194  
Fax: +60 (3) 7958 3838  
cheehoe.on@my.bosch.com  
Toll-Free: 1800 880 188  
www.bosch-pt.com.my

**Thailand**

Robert Bosch Ltd.  
Liberty Square Building  
No. 287, 11 Floor  
Silom Road, Bangrak  
Bangkok 10500  
Tel.: +66 (2) 6 31 18 79 – 18 88 (10 lines)  
Fax: +66 (2) 2 38 47 83  
Robert Bosch Ltd., P. O. Box 2054  
Bangkok 10501, Thailand

Bosch Service – Training Centre  
2869-2869/1 Soi Ban Kluay  
Rama IV Road (near old Paknam Railway)  
Prakanong District  
10110 Bangkok  
Thailand  
Tel.: +66 (2) 6 71 78 00 – 4  
Fax: +66 (2) 2 49 42 96  
Fax: +66 (2) 2 49 52 99

**Singapore**

Robert Bosch (SEA) Pte. Ltd.  
11 Bishan Street 21  
Singapore 573943  
Tel.: +65 6571 2772  
Fax: +65 6350 5315  
leongheng.leow@sg.bosch.com  
Toll-Free: 1800 333 8333  
www.bosch-pt.com.sg

**Vietnam**

Robert Bosch Vietnam Co. Ltd  
10/F, 194 Golden Building  
473 Dien Bien Phu Street  
Ward 25, Binh Thanh District  
84 Ho Chi Minh City  
Vietnam  
Tel.: +84 (8) 6258 3690 ext. 413  
Fax: +84 (8) 6258 3692  
hieu.lagia@vn.bosch.com  
www.bosch-pt.com

**Transport**

The contained lithium-ion batteries are subject to the Dangerous Goods Legislation requirements. The user can transport the batteries by road without further requirements.

When being transported by third parties (e.g.: air transport or forwarding agency), special requirements on packaging and labelling must be observed. For preparation of the item being shipped, consulting an expert for hazardous material is required.

Dispatch batteries only when the housing is undamaged. Tape or mask off open contacts and pack up the battery in such a manner that it cannot move around in the packaging. Please also observe possibly more detailed national regulations.