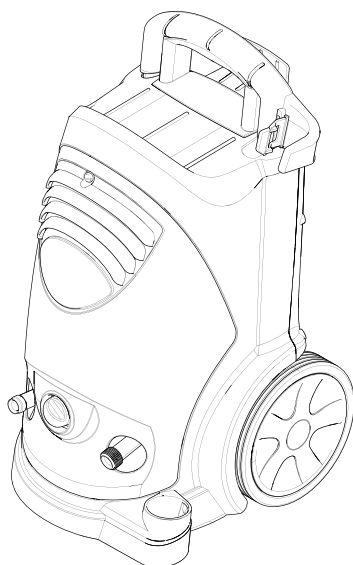


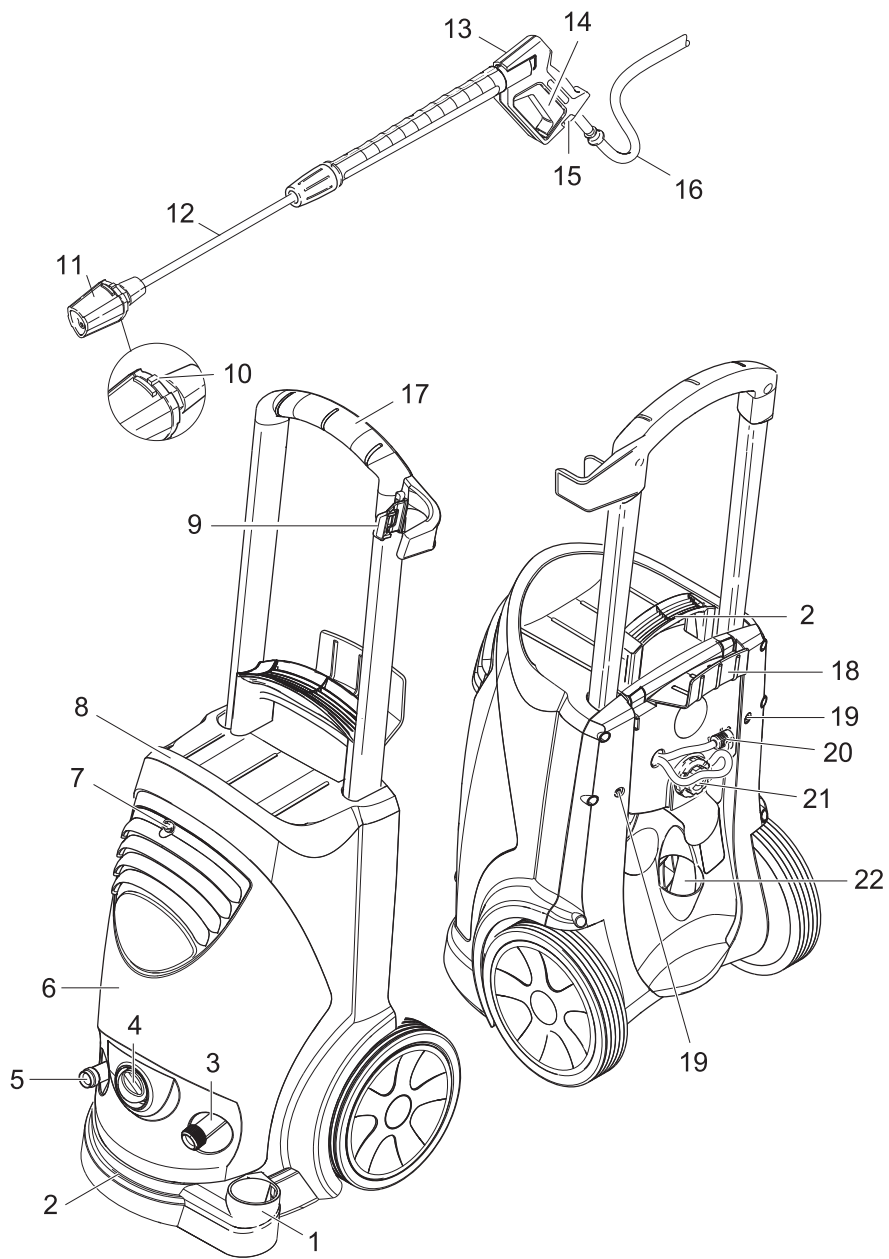
HD 5/11 C  
HD 5/11 C Plus



Deutsch	3
English	11
Français	19
Italiano	27
Nederlands	35
Español	43
Português	51
Dansk	59
Norsk	66
Svenska	73
Suomi	80
Ελληνικά	87
Türkçe	96
Русский	104
Magyar	113
Čeština	121
Slovenščina	129
Polski	136
Românește	144
Slovenčina	152
Hrvatski	160
Σρpski	167
Български	175
Eesti	184
Latviešu	191
Lietuviškai	199
Українська	207
Indonesia	216

Register and win!  
[www.kaercher.com](http://www.kaercher.com)







Please read and comply with these original instructions prior to the initial operation of your appliance and store them for later use or subsequent owners.

Before first start-up it is definitely necessary to read the operating instructions and safety indications Nr. 5.951-949!

## Contents

Environmental protection . . .	EN . . .1
Device elements. . . . .	EN . . .1
Symbols on the machine . .	EN . . .1
Proper use . . . . .	EN . . .2
Safety instructions . . . . .	EN . . .2
Safety Devices . . . . .	EN . . .2
Before Startup . . . . .	EN . . .2
Start up. . . . .	EN . . .3
Operation . . . . .	EN . . .4
Transport . . . . .	EN . . .5
Storage. . . . .	EN . . .5
Maintenance and care . . .	EN . . .5
Troubleshooting . . . . .	EN . . .6
Accessories and Spare Parts	EN . . .6
Warranty. . . . .	EN . . .6
EC Declaration of Conformity	EN . . .7
Technical specifications . . .	EN . . .8

## Environmental protection

	The packaging material can be recycled. Please do not throw the packaging material into household waste; please send it for recycling.
	Old appliances contain valuable materials that can be recycled; these should be sent for recycling. Batteries, oil, and similar substances must not enter the environment. Please dispose of your old appliances using appropriate collection systems.

Please do not release engine oil, fuel oil, diesel and petrol into the environment. Protect the ground and dispose of used oil in an environmentally-clean manner.

### Notes about the ingredients (REACH)

You will find current information about the ingredients at:

[www.kaercher.com/REACH](http://www.kaercher.com/REACH)

## Device elements

Please unfold the front picture side

- 1 Storage compartment for nozzles
- 2 Handle
- 3 Water connection
- 4 Power switch
- 5 High pressure connection
- 6 Cover
- 7 Fastening screw for device hood
- 8 Storage compartment for hoses
- 9 Trigger gun storage clip
- 10 Marking of the nozzle
- 11 Nozzle
- 12 Spray lance
- 13 Hand spraygun
- 14 Lever for hand spray gun
- 15 Safety lever
- 16 High pressure hose
- 17 Push handle
- 18 Cable clamp
- 19 Fastening screw for push-handle
- 20 Detergent suction hose with filter
- 21 Dosage valve for detergent
- 22 Accessory compartment

## Colour coding

- The operating elements for the cleaning process are yellow.
- The controls for the maintenance and service are light gray.

## Symbols on the machine



*High-pressure jets can be dangerous if improperly used. The jet may not be directed at persons, animals, live electrical equipment or at the appliance itself.*

According to the applicable regulations, the appliance must never be used on the drinking water supply without a system separator. Use a suitable system separator manufactured by KÄRCHER; or, as an alternative, a system separator as per EN 12729 Type BA. Water flowing through a system separator is considered non-drinkable.



### Caution

Always connect the system separator to the water supply, never directly to the appliance!

## Proper use

Use this high pressure cleaner exclusively for

- Cleaning using low pressure jet and detergent (for e.g. for cleaning machines, cars, buildings, tools),
- For cleaning using high pressure jet without detergent (for e.g. for cleaning facades, terraces, garden appliances).

For stubborn dirt, we recommend the use of the dirt blaster as a special accessory.

### ⚠ Danger

*Risk of injury! Follow the respective safety regulations when operating at gas stations or other dangerous areas.*

Please do not let mineral oil contaminated waste water reach soil, water or the sewage system. Perform engine cleaning and bottom cleaning therefore only on specified places with an oil trap.

## Safety instructions

- Please follow the national rules and regulations for fuel spray jets of the respective country.
- Please follow the national rules and regulations for accident prevention of the respective country. Fuel spray jets must be tested regularly and the results of these tests must be documented in writing.

## Symbols in the operating instructions

### ⚠ Danger

Immediate danger that can cause severe injury or even death.

### ⚠ Warning

Possible hazardous situation that could lead to severe injury or even death.

### Caution

Possible hazardous situation that could lead to mild injury to persons or damage to property.

## Safety Devices

Safety devices serve for the protection of the user and must not be put out of operation or bypassed with respect to their function.

### Overflow valve

The overflow valve prevents the permissible working pressure from being exceeded.

### Pressure switch

- If the lever on the trigger gun is released the pressure switch turns off the pump, the high-pressure jet is stopped. If the lever is pulled the pump is turned on again.
- The overflow valve and pressure switch are set and sealed at the factory. Setting only by customer service.

## Before Startup

### Unpacking

- Check the contents of the pack before unpacking.
- In case of transport damage inform vendor immediately
- ➔ Draw the push-handle upwards until the stop.
- ➔ Fix the push-handle using the enclosed screws and tool.

## Attaching the Accessories

- Mount the nozzle on the spray pipe (markings on the adjustment ring at the top).
- Connect ray tube to hand spray gun
- Fasten the high pressure hose to the high pressure connection.

## Start up

### **Warning**

*Risk of injury! Device, tubes, high pressure hose and connections must be in faultless condition. Otherwise, the appliance must not be used.*

## Electrical connection

### **Danger**

*Danger of injury by electric shock. The appliance may only be connected to alternating current.*

*The appliance may only be connected to an electrical supply which has been installed in accordance with IEC 60364.*

*The voltage indicated on the type plate must correspond to the voltage of the electrical source.*

*The minimum fuse rating required at the socket outlet is (see technical specifications).*

*The appliance should always be connected to the electrical mains using a plug. It is forbidden to permanently connect the appliance to the power supply. The plug is only for mains separation.*

*Check the power cord with mains plug for damage before every use. If the power cord is damaged, please arrange immediately for the exchange by an authorized customer service or a skilled electrician.*

*The plug and coupling of the extension cable used must be watertight.*

*Use the extension cord that has an adequate cross-section (see "Technical Data") and unwind it fully from the cable drum.*

*Unsuitable extension cables can be hazardous. Only use extension cables outdoors which have been approved for this*

*purpose and labelled with a sufficient cable cross section:*

For connection values, see type plate/technical data.

## Water connection

### **Warning**

*Observe regulations of water supplier. According to the applicable regulations, the appliance must never be used on the drinking water supply without a system separator. Use a suitable system separator manufactured by KÄRCHER; or, as an alternative, a system separator as per EN 12729 Type BA. Water flowing through a system separator is considered non-drinkable.*



### **Caution**

*Always connect the system separator to the water supply, never directly to the appliance!*

For connection values refer to technical specifications

- Connect the supply hose (minimum length 7.5 m, minimum diameter 1/2") to the water connection point of the machine and at the water supply point (for e.g. a tap).

### **Note**

*The supply hose is not included.*

- Open the water supply.

## Suck in water from vessel

- Screw the suction hose with filter (order no. 4.440-238.0) to the water connection.
- Deaerate the appliance:  
Unscrew the nozzle.  
Switch on the appliance and let it run until the water exiting is bubble-free.  
At the end let the appliance run for approx. 10 seconds - then switch off. Repeat the procedure for a couple of times.
- Switch off the appliance and fit the nozzle again.

## Operation

### **⚠ Danger**

*Risk of explosion!*

*Do not spray flammable liquids.*

*If the appliance is used in hazardous areas (e.g. filling stations) the corresponding safety provisions must be observed.*

### **⚠ Warning**

*Long hours of using the appliance can cause circulation problems in the hands on account of vibrations.*

It is not possible to specify a generally valid operation time, since this depends on several factors:

- Proneness to blood circulation deficiencies (cold, numb fingers).
- Low ambient temperature. Wear warm gloves to protect hands.
- A firm grip impedes blood circulation.
- Continuous operation is worse than an operation interrupted by pauses.

In case of regular, long-term operation of the device and in case of repeated occurrence of the symptoms (e.g. cold, numb fingers) please consult a physician.

### **Caution**

*Clean engines only at places with corresponding oil separators (environmental safety).*

### **Note**

*Risk of blocking. Place the nozzles in the accessory compartment with their joint pointing upward.*

## High pressure operation



### **Note**

*The appliance is equipped with a pressure switch. The motor starts up only when the lever of the pistol is pulled.*

- ➔ Set the appliance switch to "I".
- ➔ Unlock the hand-spray gun and pull the lever of the gun.
- ➔ Set working pressure and flow rate through turning (runggless) at the pressure- and amount regulation (B) (+/-).

## Select spray type

- ➔ Close the hand spray gun.
- ➔ Turn the casing of the nozzle till the desired symbol matches the marking.

	Flat low pressure spray (CHEM) for operating using detergents or cleaning at low pressure.
	High pressure flat spray (25°) for large dirt areas

## Operation with detergent

### **⚠ Warning**

*Unsuitable detergents can cause damage to the appliance and to the object to be cleaned. Use only those detergents that have been approved by Kärcher. Observe the dosage and other instructions provided with these detergents. For considerate treatment of the environment use detergent economically.*

*Follow the safety instructions for using detergents.*

Kärcher detergents ensure smooth functioning. Please consult us or ask for our catalogue or our detergent information sheets.

- ➔ Take out detergent suck hose.
- ➔ Suspend end of suction hose in a container filled with detergent.
- ➔ Set nozzle to "CHEM".
- ➔ Set dosing value for detergent to the desired concentration.

### **Recommended cleaning method**

- ➔ Spray the detergent sparingly on the dry surface and allow it to react, but not to dry.
- ➔ Spray off loosened dirt with the high-pressure ray.
- ➔ After operations, dip the filter in clear water. Turn the dosing valve to the highest detergent concentration. Start the appliance and rinse for one minute.

## Interrupting operation

- Release the lever of the hand-spray gun; the device will switch off.
- Release again the lever of the hand-spray gun; the device will switch on again.

## Turn off the appliance

- Set the appliance switch to "0".
- Disconnect the mains plug from the socket.
- Shut off water supply.
- Activate hand spray gun until device is pressure-less.
- Press the safety lever of the hand-spray gun to secure the lever of the pistol against being released accidentally.

## Storing the Appliance

- Insert the hand-spray gun in the holder.
- Wind up the high-pressure hose and hang it over the hose storage.
- Wind the connection cable around the cable holder.

## Frost protection

### **Warning**

*Frost will destroy the not completely water drained device.*

Store the appliance in a frost free area.

### **If you cannot store it in a frost-free place:**

- Drain water.
- Pump in conventional frost protection agents through the appliance.

### **Note**

*Use normal glycol-based anti-freezing agents for automobiles.*

*Observe handling instructions of the anti-freeze agent manufacturer.*

- Operate device for max. 1 minute until the pump and conduits are empty.

## Transport

### **Caution**

*Risk of injury and damage! Observe the weight of the appliance when you transport it.*

- Pull the device behind you at the handle for transporting it over longer distances.
- Hold the device at the handles for carrying, not at the push handle.
- When transporting in vehicles, secure the appliance according to the guidelines from slipping and tipping over.

## Storage

### **Caution**

*Risk of injury and damage! Note the weight of the appliance in case of storage.*

This appliance must only be stored in interior rooms.

## Maintenance and care

### **Danger**

*Risk of injury by inadvertent startup of appliance and electrical shock.*

*First pull out the plug from the mains before carrying out any tasks on the machine.*

### **Safety inspection/ maintenance contract**

You can sign with your dealer a contract for regular safety inspection or even sign a maintenance contract. Please take advice on this matter.

### **Before each use**

- Check connection cable for damages (risk of electrical shock); get the damaged connection cable replaced immediately by an authorised customer service person/ electrician.
- Check the high pressure hose for damages (risk of bursting).  
Please arrange for the immediate exchange of a damaged high-pressure hose.
- Check appliance (pump) for leaks.

3 drops per minute are permitted and can come out from the lower side of the appliance. Call Customer Service if there is heavy leakage.

### Monthly

- Clean the sieve in the water connection.
- Clean filter at the detergent suck hose.

## Troubleshooting

### **Danger**

*Risk of injury by inadvertent startup of appliance and electrical shock.*

*First pull out the plug from the mains before carrying out any tasks on the machine.*

*Get the electrical components checked and repaired only by authorised customer service persons.*

*Contact an authorised customer service person in case of problems not mentioned in this chapter or if you are in doubt or when you have been explicitly asked to do so.*

### Appliance is not running

- Check connection cable for damages.
- Check the supply voltage.
- Call Customer Service in case of electrical defects.

### Pressure does not build up in the appliance

- Set nozzle to "High pressure".
- Clean the nozzle.
- Replace the nozzle.
- Deaerate the appliance (see "Start-up")
- Check water supply level (refer to technical data).
- Clean the sieve in the water connection.
- Check all inlet pipes to the pump.
- Contact Customer Service if needed.

### Pump leaky

3 drops per minute are permitted and can come out from the lower side of the appliance. Call Customer Service if there is heavy leakage.

- With stronger leak, have device checked by customer service.

### Pump is vibrating

- Check suction pipes for water and detergent and ensure that they are leak-proof.
- Close dosing valve for detergent to operate the machine without detergent.
- Deaerate the appliance (see "Start-up")
- Contact Customer Service if needed.

### Detergent is not getting sucked in

- Set nozzle to "CHEM".
- Check/ clean detergent suction hose with filter.
- Open or check/clean detergent dosing valve.
- Contact Customer Service if needed.

## Accessories and Spare Parts

- Only use accessories and spare parts which have been approved by the manufacturer. The exclusive use of original accessories and original spare parts ensures that the appliance can be operated safely and trouble free.
- At the end of the operating instructions you will find a selected list of spare parts that are often required.
- For additional information about spare parts, please go to the Service section at [www.kaercher.com](http://www.kaercher.com).

## Warranty

The warranty terms published by the relevant sales company are applicable in each country. We will repair potential failures of your appliance within the warranty period free of charge, provided that such failure is caused by faulty material or defects in manufacturing. In the event of a warranty claim please contact your dealer or the nearest authorized Customer Service centre. Please submit the proof of purchase.



## EC Declaration of Conformity

We hereby declare that the machine described below complies with the relevant basic safety and health requirements of the EU Directives, both in its basic design and construction as well as in the version put into circulation by us. This declaration shall cease to be valid if the machine is modified without our prior approval.

**Product:** High-pressure cleaner

**Type:** 1.520-xxx

**Relevant EU Directives**

2006/42/EC (+2009/127/EC)

2004/108/EC

2000/14/EC

**Applied harmonized standards**

EN 55014-1: 2006 + A1: 2009

EN 55014-2: 1997 + A2: 2008

EN 60335-2-79

EN 60335-1

EN 61000-3-2: 2006 + A2: 2009

EN 61000-3-3: 2008

**Applied conformity evaluation method**

2000/14/EC: Appendix V

**Sound power level dB(A)**

Measured: 86

Guaranteed: 88

The undersigned act on behalf and under the power of attorney of the company management.



H. Jenner  
CEO



S. Reiser  
Head of Approbation

Authorised Documentation Representative  
S. Reiser

Alfred Kärcher GmbH Co. KG

Alfred-Kärcher-Str. 28 - 40

71364 Winnenden (Germany)

Phone: +49 7195 14-0

Fax: +49 7195 14-2212

Winnenden, 2011/05/01

## Technical specifications

	1.520-100.0 1.520-117.0 1.520-118.0 1.520-122.0 1.520-125.0	1.520-119.0 1.520-127.0	1.520-116.0
<b>Main Supply</b>			
Voltage	V	*	230
Current type	Hz	1~ 50	
Connected load	kW	2,2	1,6
Protection (slow, char. C)	A	16	10
Type of protection		IPX5	
Extension cord 30 m	mm <sup>2</sup>	2,5	
<b>Water connection</b>			
Max. feed temperature	°C	60	
Min. feed volume	l/h (l/min)	600 (10)	
Suck height from open container (20 °C)	m	1	
Max. feed pressure	MPa (bar)	1,2 (12)	
<b>Performance data</b>			
Working pressure	MPa (bar)	11,5 (115)	9,5 (95)
Nozzle size (CX)		036	034
Max. operating over-pressure	MPa (bar)	13 (130)	12 (120)
Water flow rate	l/h (l/min)	500 (8,3)	410 (6,8)
Detergent suck in	l/h (l/min)	0...25 (0...0,42)	
Max. recoil force of hand spray gun	N	21	
<b>Values determined as per EN 60355-2-79</b>			
Hand-arm vibration value			
Hand spraygun	m/s <sup>2</sup>	2,55	
Spray lance	m/s <sup>2</sup>	<2,5	
Uncertainty K	m/s <sup>2</sup>	1	
Sound pressure level L <sub>pA</sub>	dB(A)	73	
Uncertainty K <sub>pA</sub>	dB(A)	2	
Sound power level L <sub>WA</sub> + Uncertainty K <sub>WA</sub>	dB(A)	88	
<b>Dimensions and weights</b>			
Length	mm	360	
Width	mm	375	
Height	mm	925	
Weight without accessories	kg	25	23,8
* 1.520-100.0, 1.520-117.0: 230 V; 1.520-118.0: 230...240 V; 1.520-122.0: 240 V; 1.520-125.0: 220 V			